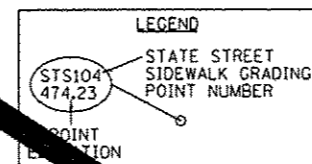
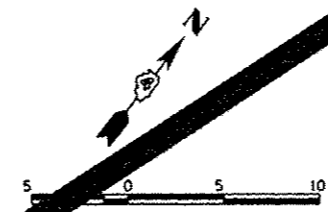


COMMERCIAL & STATE STREET INTERSECTION  
NORTHWEST SIDEWALK RAMP GRADES

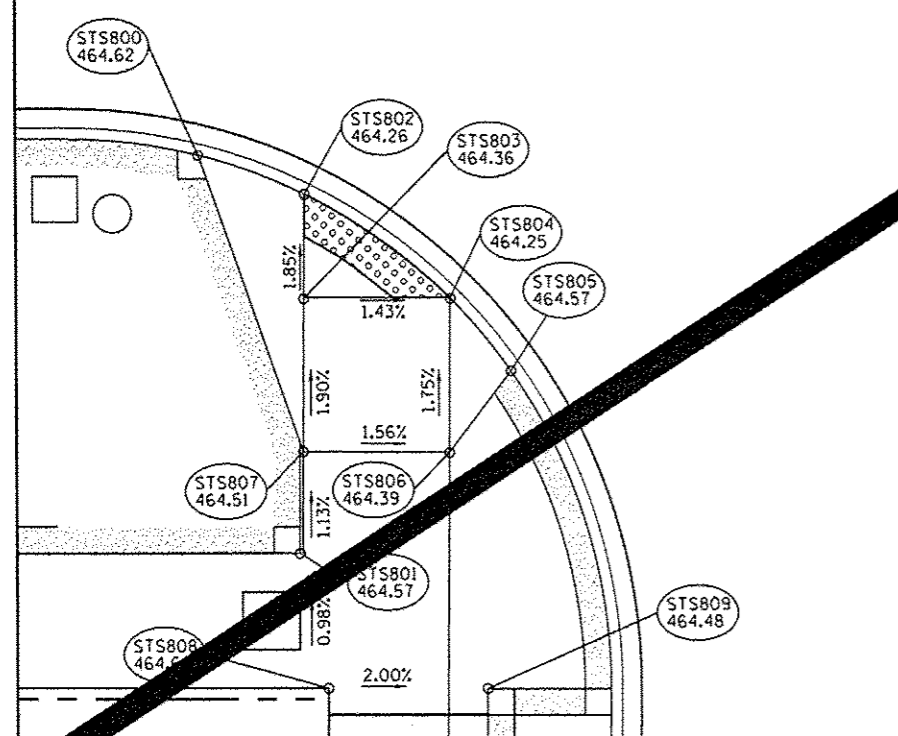
POINT NO	STATION	OFFSET	SIDE	ELEVATION	LOCATION
STS500	1716+80.25	12.97	LT	465.33	TOC
STS501	1716+85.19	18.42	LT	465.22	SW
STS502	1716+85.17	14.25	LT	465.14	TOC
STS503	1716+92.87	18.45	LT	465.19	TOC
STS504	1716+96.11	22.51	LT	465.88	TOC
STS512	1716+85.23	26.49	LT	465.89	SW
STS513	1716+92.91	26.45	LT	465.85	SW
STS514	1716+92.03	41.08	LT	466.11	SW
STS515	1716+84.76	41.08	LT	466.18	SW
STS516	1716+84.22	34.08	LT	466.04	SW

STATE STREET



COMMERCIAL STREET

COMMERCIAL STREET



COMMERCIAL & STATE STREET INTERSECTION  
SOUTHWEST SIDEWALK RAMP GRADES

POINT NO	STATION	OFFSET	SIDE	ELEVATION	LOCATION
STS800	1716+77.02	13.40	RT	464.62	TOC
STS801	1716+80.37	34.08	RT	464.57	SW
STS802	1716+83.65	15.42	RT	464.26	TOC
STS803	1716+83.62	20.85	RT	464.36	SW
STS804	1716+91.29	20.83	RT	464.25	TOC
STS805	1716+93.44	24.60	RT	464.57	TOC
STS806	1716+91.25	28.83	RT	464.39	SW
STS807	1716+83.58	28.79	RT	464.51	SW
STS808	1716+83.85	41.08	RT	464.64	SW
STS809	1716+92.20	41.08	RT	464.48	SW

STATE STREET

USER NAME: mansk01290	DESIGNED: RMM/EMM	REVISED: -
PLOT SCALE: 10.0000 / in.	DRAWN: RJE	REVISED: -
PLOT DATE: 07/23/2012	CHECKED: E.JH	REVISED: -
	DATE: 7/18/12	REVISED: -

STATE OF ILLINOIS  
DEPARTMENT OF TRANSPORTATION

COMMERCIAL STREET AND STATE STREET  
SIDEWALK RAMP DETAIL

SCALE: 1"=5' SHEET NO. OF SHEETS STA. TO STA.

F.A.U. RTE.	SECTION	COUNTY	TOTAL SHEETS	SHEET NO.
12-00356-01-PV	PEORIA	400		
CONTRACT NO.				
ILLINOIS FED. AID PROJECT TIG-509315B				

CMT  
CONSTRUCTION ENGINEERS  
174-00015