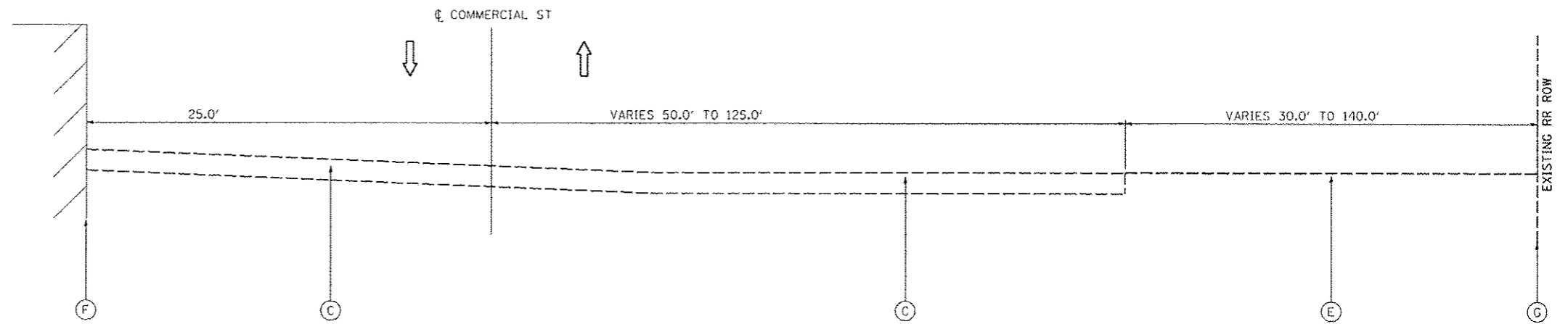
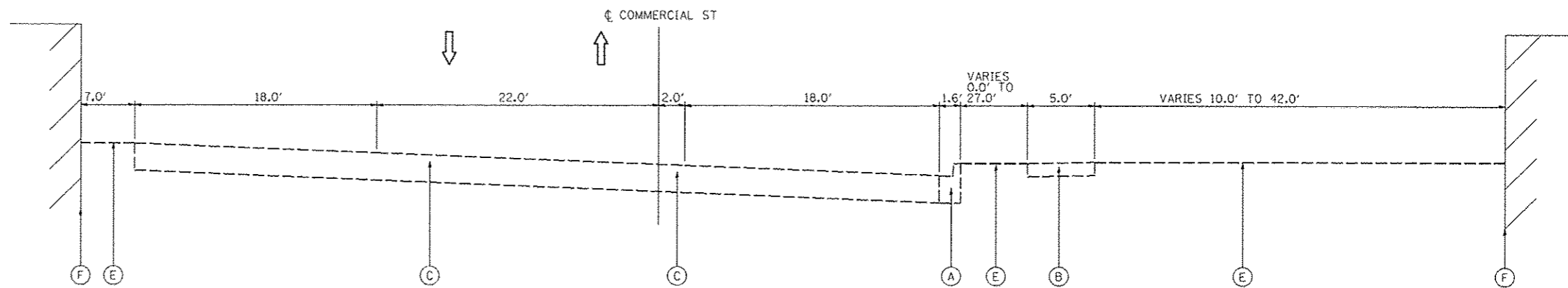


EXISTING TYPICAL SECTION - COMMERCIAL STREET
STATION 1708+00 TO 1711+32



EXISTING TYPICAL SECTION - COMMERCIAL STREET
STATION 1711+32 TO 1714+00



EXISTING TYPICAL SECTION - COMMERCIAL STREET
STATION 1714+00 TO 1716+70.23

LEGEND

- (A) EXISTING COMBINATION CONCRETE CURB AND GUTTER
- (B) EXISTING CONCRETE SIDEWALK
- (C) EXISTING PAVEMENT, 8"
- (D) EXISTING AGGREGATE SURFACE
- (E) EXISTING GROUND
- (F) EXISTING BUILDING
- (G) EXISTING RAILROAD ROW



FILE NAME *	USER NAME * monsk01390	DESIGNED - LNF	REVISED -	STATE OF ILLINOIS DEPARTMENT OF TRANSPORTATION	COMMERCIAL STREET EXISTING TYPICAL SECTIONS			F.A.U. RTE.	SECTION	COUNTY	TOTAL SHEETS	SHEET NO.
or\pwise_work\do_not_delete\dms75322\04	PL0159-ehc-typical-382.dgn	DRAWN - WAH	REVISED -		SCALE: N/A	SHEET NO. OF SHEETS	STA. TO STA.	12-00356-01-PV	PEORIA	519	23	
	PLOT SCALE = 10.0000' / in.	CHECKED - MCH	REVISED -					CONTRACT NO. 89626				
	PLOT DATE = 07/23/2012	DATE - 7/18/12	REVISED -					ILLINOIS FED. AID PROJECT		TIG-50931150		