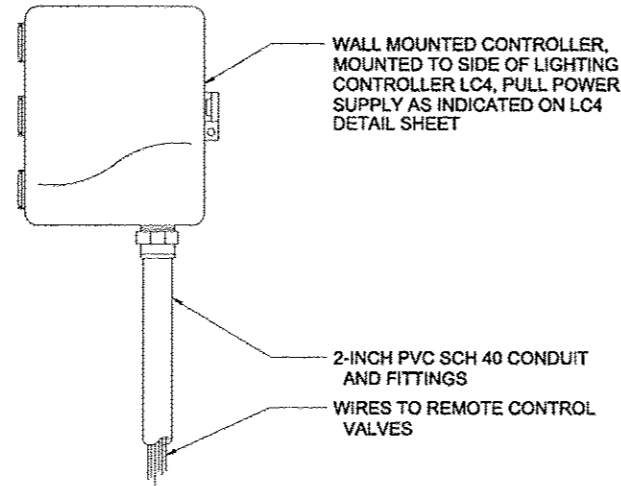
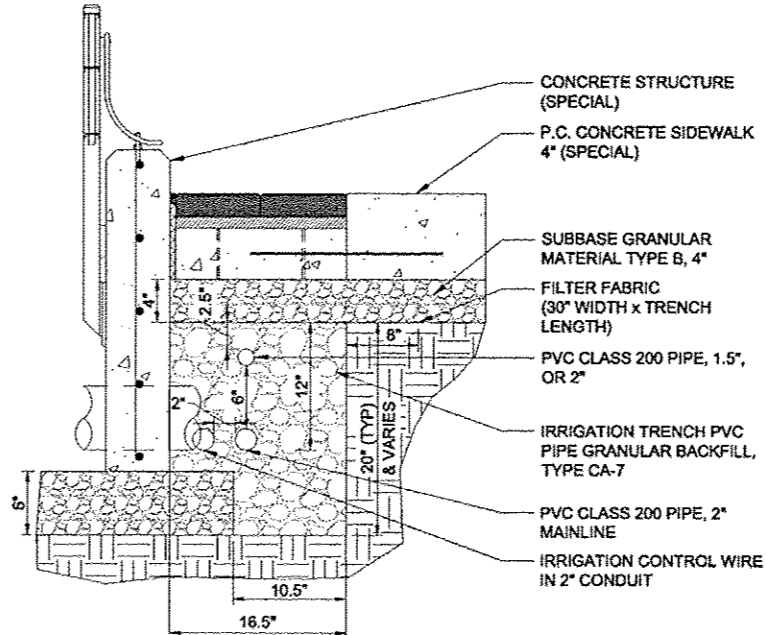


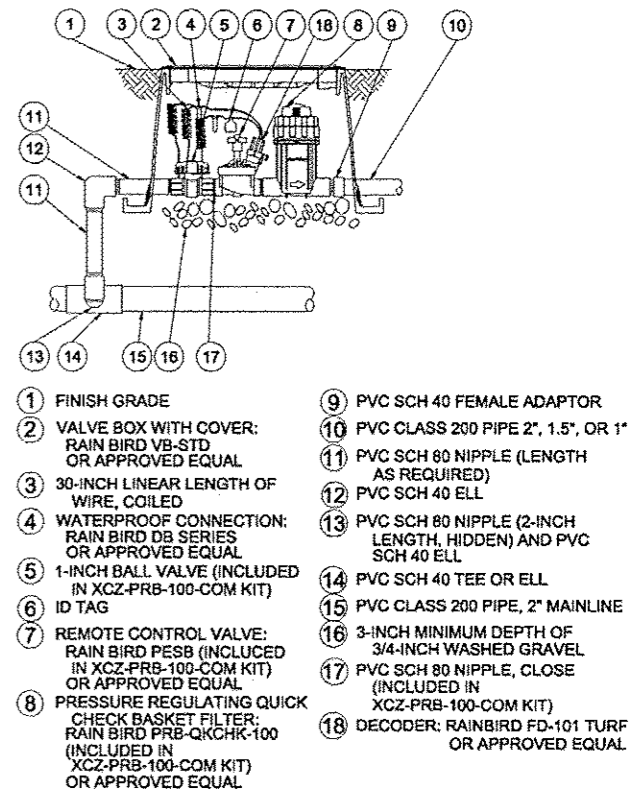
7 Valve Box Assembly, Quick Coupler
Scale: Not to Scale



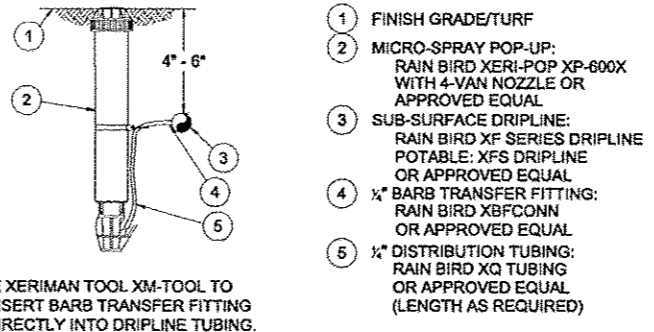
6 Irrigation Controller Detail
Scale: Not to Scale



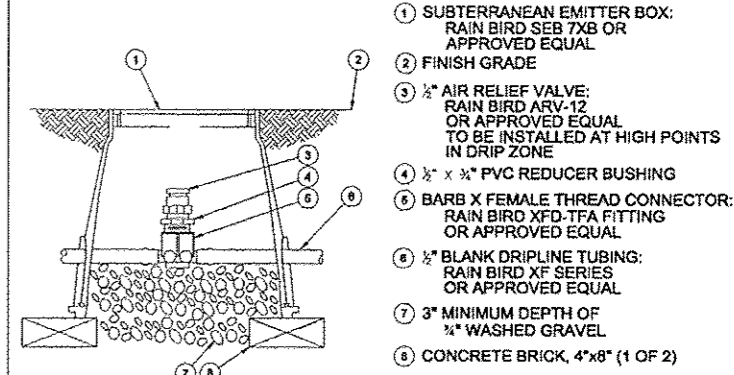
5 Irrigation Trench Detail
Scale: Not to Scale



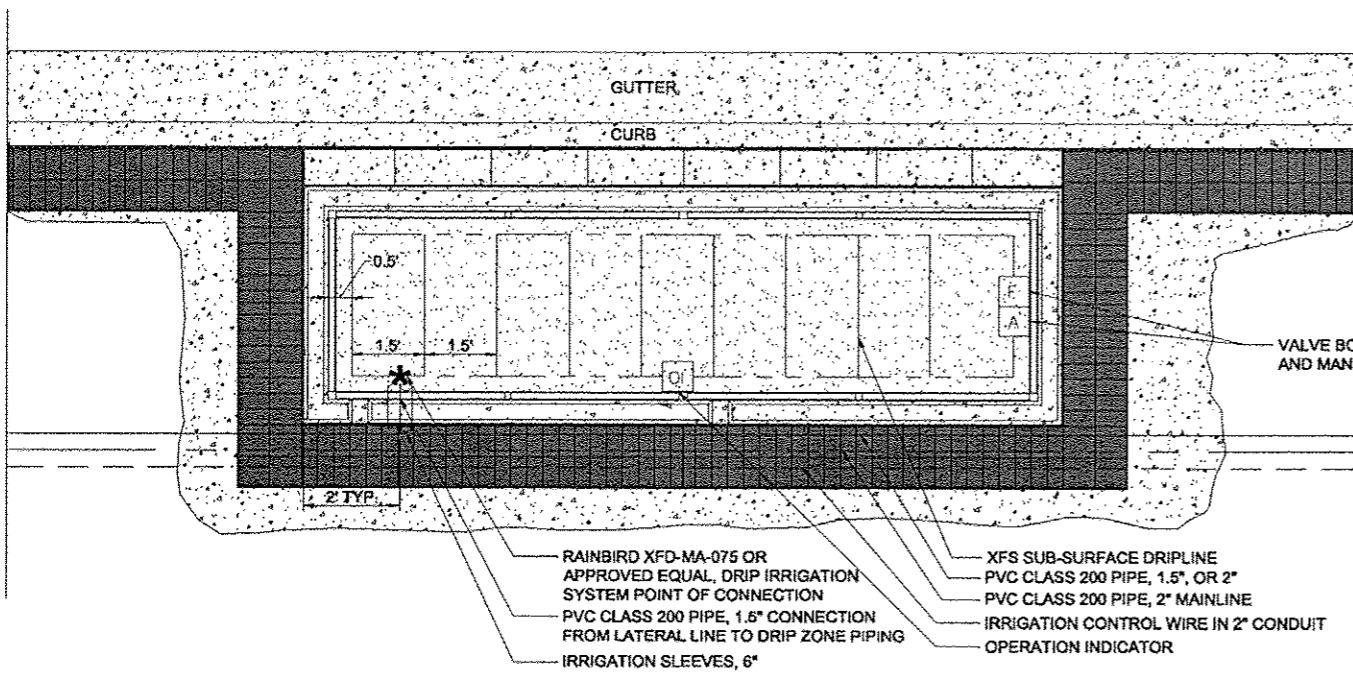
3 Valve Box Assembly, Drip Zone
Scale: Not to Scale



4 Irrigation Operation Indicator
Scale: Not to Scale



2 Valve Box Assembly, Air/Vacuum Relief and Manual Line Flush
Scale: Not to Scale



8 Irrigation Bed .9 GPH
Scale: 1/2" = 1'-0"

1 XFS Sub-Surface Dripline Burial
Scale: Not to Scale

FILE NAME *	USER NAME * d0vao00070	DESIGNED - ALW	REVISED -
o:\p\wise\work\do_not_delete\dm73427\04\RL0155-shr-detailed-Indsept11.dgn		DRAWN - ALW	REVISED -
	PLOT SCALE = 2.0000 / in.	CHECKED - BAB	REVISED -
	PLOT DATE = 08/21/2012	DATE - 7/18/12	REVISED -

STATE OF ILLINOIS
DEPARTMENT OF TRANSPORTATION

TIGER II - WAREHOUSE DISTRICT
IRRIGATION DETAILS

SCALE: N.T.S.	SHEET NO.	OF	SHEETS	STA.	TO STA.
---------------	-----------	----	--------	------	---------

F.A.U. RTE.	SECTION	COUNTY	TOTAL SHEETS	SHEET NO.
	12-00356-01-PV	PEORIA	519	324
CONTRACT NO. 89626			ILLINOIS FED. AID PROJECT TIG-59931(58)	

Farnsworth GROUP
7707 N. ROCKVILLE AVE, SUITE 100
PEORIA, ILLINOIS 61614
(309) 699-0040 / (309) 699-0820 Fax
www.fsw.com