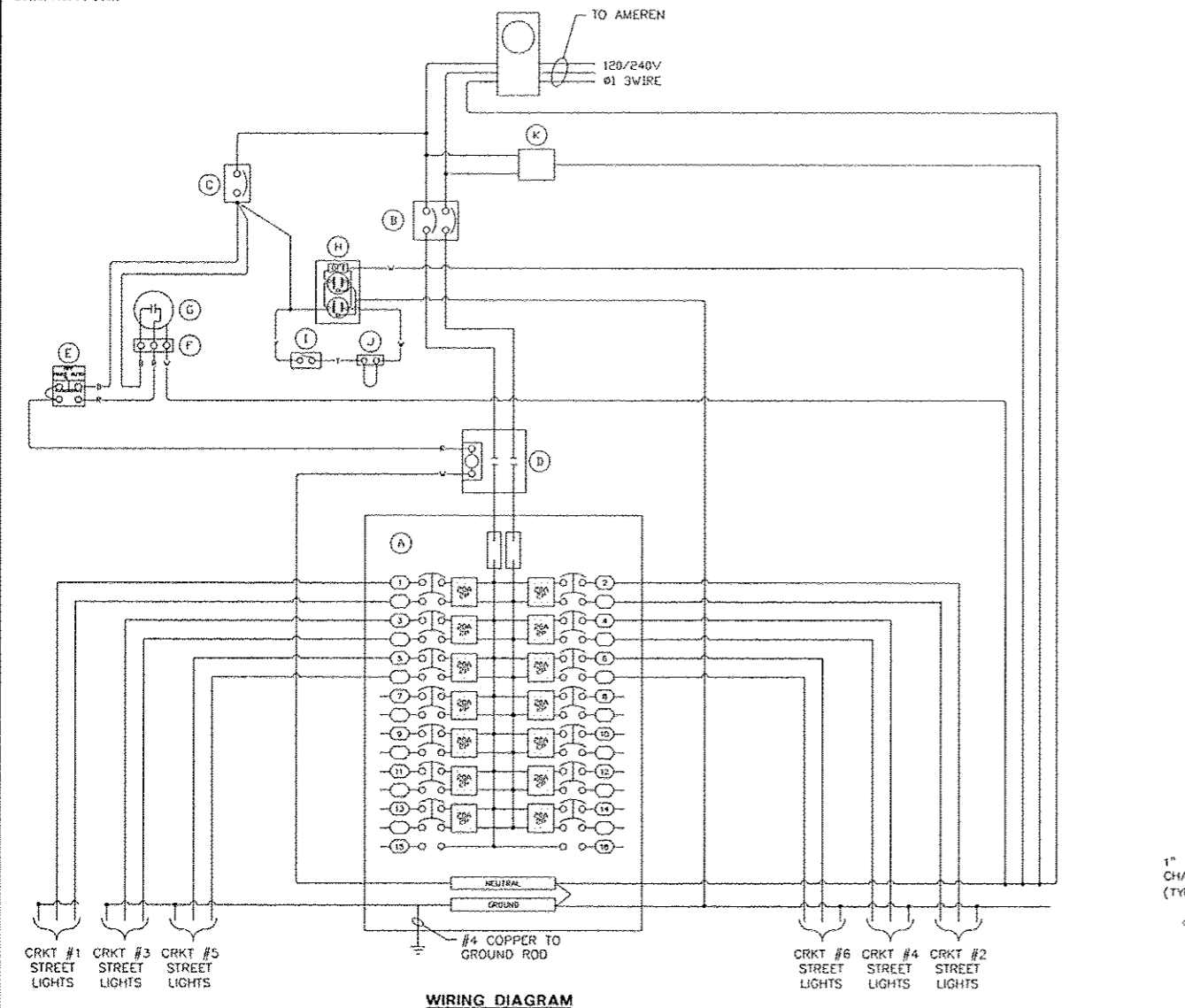
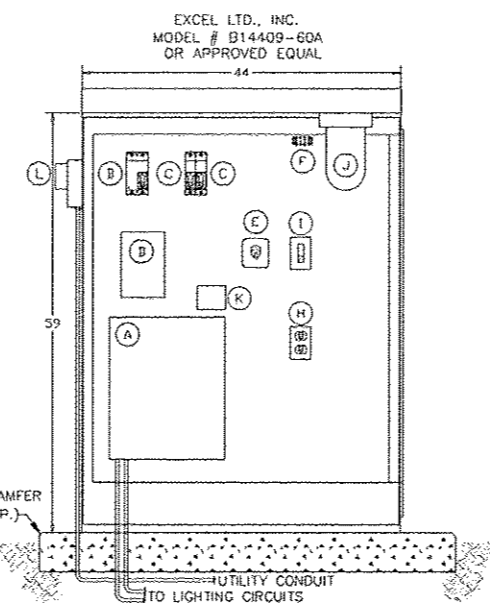


One-Line Diagram for Lighting Control Cabinet (LC5)

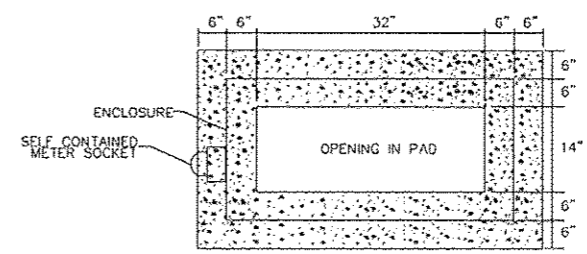
Scale: Not To Scale



WIRING DIAGRAM



ELEVATION



PLAN

BILL OF MATERIALS	
ITEM	DESCRIPTION
A	200A MLD (14) 2P/20A BRANCH
B	2P 200A MAIN CIRCUIT BREAKER
C	1P 15A MAIN CIRCUIT BREAKER
D	120V COIL 2 POLE 100 AMP CONTACTOR
E	H.O.A. SWITCH
F	3PT TERMINAL BLOCK
G	PHOTOCELL
H	20A GFI RECPT
I	TOGGLE SWITCH
J	RAB VX100DG LIGHT FIXTURE
K	SURGE SUPPRESSION DEVICE
L	AMEREN METER-SELF CONTAINED CT'S 200A 120/240V
M	44" TYPE V TRAFFIC CONTROL CABINET TYPE 3R POWDER COATED BLACK TO MATCH POLE

- NOTES:**
- ALL POWER WIRING WILL BE RHH/RHW.
 - ALL CONTROL WIRING WILL BE #14 MIN.
 - NOT USED.
 - ⊙ CKT NUMBER
 - ⊙ ITEM #. SEE BILL OF MATERIALS

Lighting Controller Base Mounted 240V, 200Amp #LC5

Scale: Not To Scale

FILE NAME *	USER NAME * mansk01390	DESIGNED - JDE	REVISED -
PL0155-ehd-detaile-LightB2.dgn		DRAWN - TMT	REVISED -
PLOT SCALE = 2.0000 "/in.		CHECKED - JBD	REVISED -
PLOT DATE = 07/23/2012		DATE - 7/18/12	REVISED -

**STATE OF ILLINOIS
DEPARTMENT OF TRANSPORTATION**

LIGHTING DETAILS

SCALE: N.T.S. SHEET NO. OF SHEETS STA. TO STA.

F.A.U. RTE.	SECTION	COUNTY	TOTAL SHEETS	SHEET NO.
	12-00356-01-PV	PEORIA	519	372
CONTRACT NO. 89626			ILLINOIS FED. AID PROJECT YIG-50931(58)	