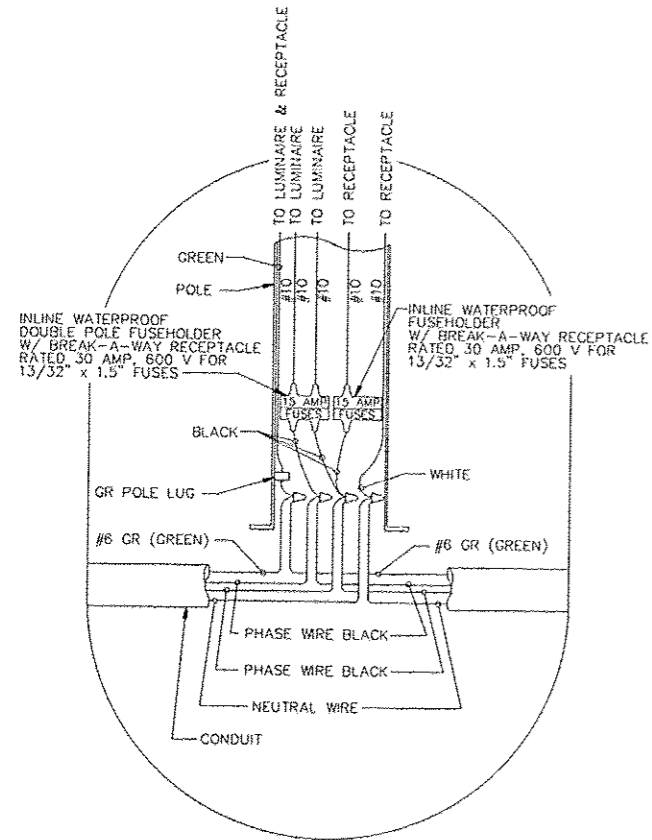


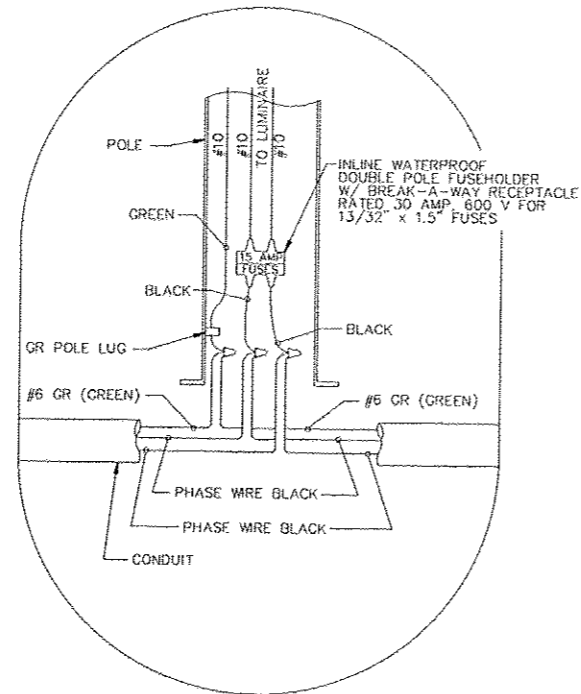
LIGHTING FIXTURE SCHEDULE

PAY ITEM DESCRIPTION	DRAWING TAG	MANUFACTURER	CATALOG NUMBER	NO. OF LAMPS	LAMP TYPE	VOLTAGE	DESCRIPTION
STREET LIGHTING ASSEMBLY COMPLETE TYPE F1	F1	STERNBERG	2-1480CA/T878U/7718TS/BCC/GF1150MHP240L05-SMHP150/MED/BK	2	150 W MH	240	TWIN CONTEMPORARY HUNG DOWNWARD FROM DECORATIVE CROSSARMS ON 18' SMOOTH TAPERED POLE ON DECORATIVE BASE. METAL HALIDE LAMP SOURCE TYPE 6 DISTRIBUTION WITH GFI RECEPTACLE AT TOP OF POLE NEAR ARMS.
		BEACON PRODUCTS	PIE31/PCAMH15-240-D/GR5/UQS/BZ/2X AA-25SCB/BZ SH05/8/18/5M/BO-BA/OT/BZ				
		SUN VALLEY LIGHTING	CS-6161				
STREET LIGHTING ASSEMBLY COMPLETE TYPE F2	F2	HOLOPHANE	GV100MHMTLB5NN	1	100 W MH	240	CITY OF PEORIA STANDARD BUSINESS DISTRICT GRANVILLE FIXTURE, TYPE V, METAL HALIDE.
STREET LIGHTING ASSEMBLY COMPLETE TYPE F3	F3	AMERICAN ELECTRIC	32525MRH240R3DG	1	250 W MH	240	ROADWAY FIXTURE, 250 W METAL HALIDE, DROP GLASS TYPE 3 RETROFITTED ON EXISTING POLE AND MAST ARM
STREET LIGHTING ASSEMBLY COMPLETE TYPE F4	F4	AMERICAN ELECTRIC/VALMONT	32540MRH240R3DG/DS96-R801A-420-10S-GV-VIBRATION DAMPNER	1	400 W MH	240	ROADWAY FIXTURE, 400 W METAL HALIDE, DROP GLASS TYPE 3 MOUNTED ON 35' GALVANIZED POLE WITH 10' ARM AND VIBRATION DAMPNER

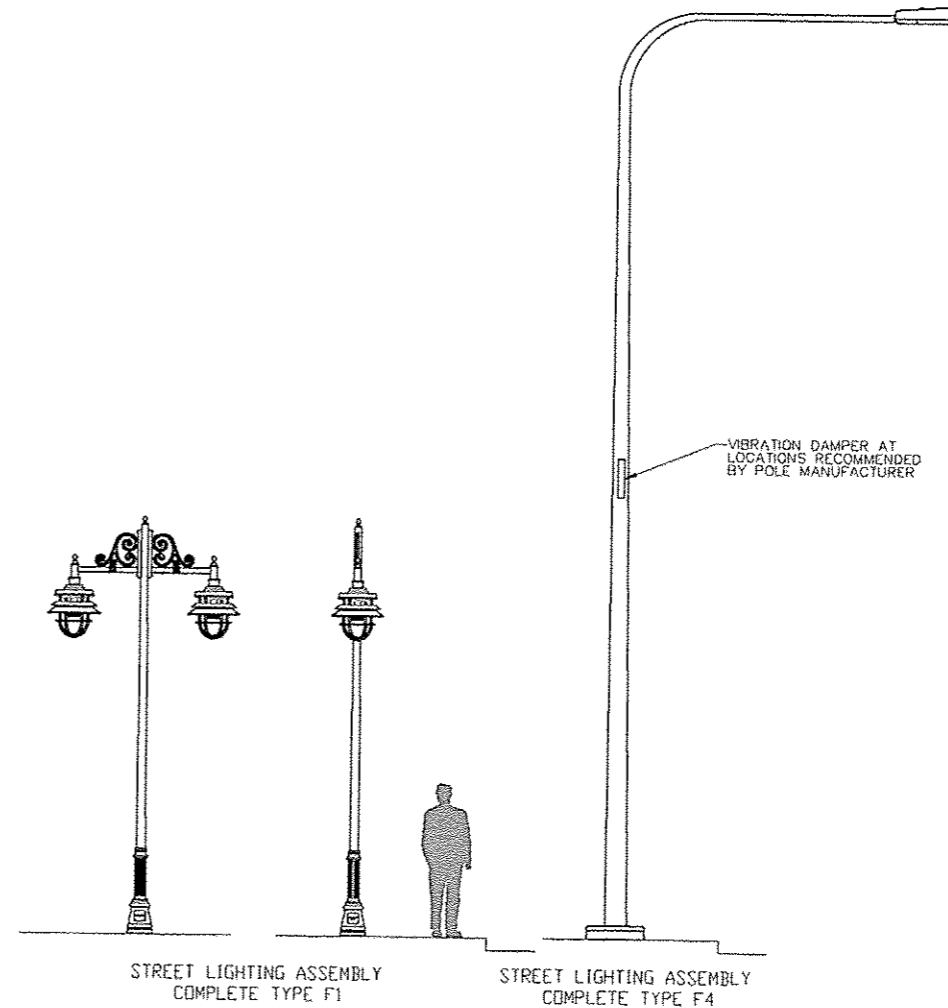
NOTE: MANUFACTURER AND CATALOG NUMBERS ARE PRESENTED HERE TO ESTABLISH MINIMUM DESIRED CONSTRUCTION AND PERFORMANCE. SPECIFICATION ALLOWS FOR "APPROVED EQUALS" FOR EACH TYPE.



POLE BASE HANDHOLE WIRING DIAGRAM
NO SCALE



POLE BASE HANDHOLE WIRING DIAGRAM
NO SCALE



**STATE OF ILLINOIS
DEPARTMENT OF TRANSPORTATION**

LIGHTING DETAILS

FILE NAME *	USER NAME * monk01398	DESIGNED - JDE	REVISED -
cd:\pwise\work\do_not_delete\dms73318\04	LB0159-ehd-detailed-Light05.dgn	DRAWN - TMT	REVISED -
	PLOT SCALE = 2.0000' / in.	CHECKED - JBO	REVISED -
	PLOT DATE = 07/23/2012	DATE - 7/18/12	REVISED -

SCALE: N.T.S.	SHEET NO. OF SHEETS	STA. TO STA.
---------------	---------------------	--------------

F.A.U. RTE.	SECTION	COUNTY	TOTAL SHEETS	SHEET NO.
12	12-00356-01-PV	PEORIA	519	375
CONTRACT NO. 89626				
ILLINOIS FED. AID PROJECT TIG-5093H501				