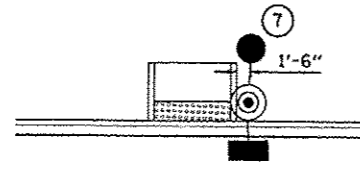
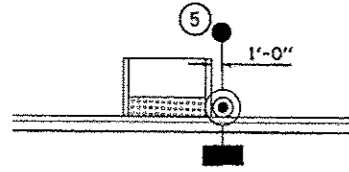
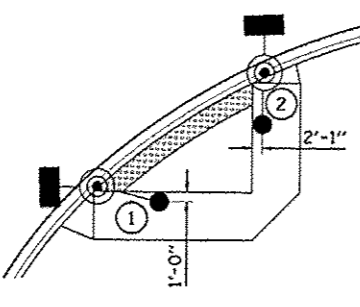
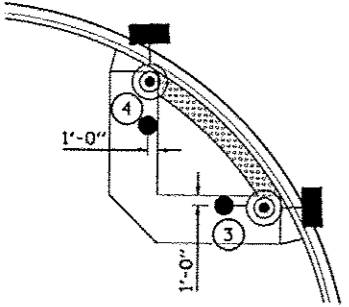


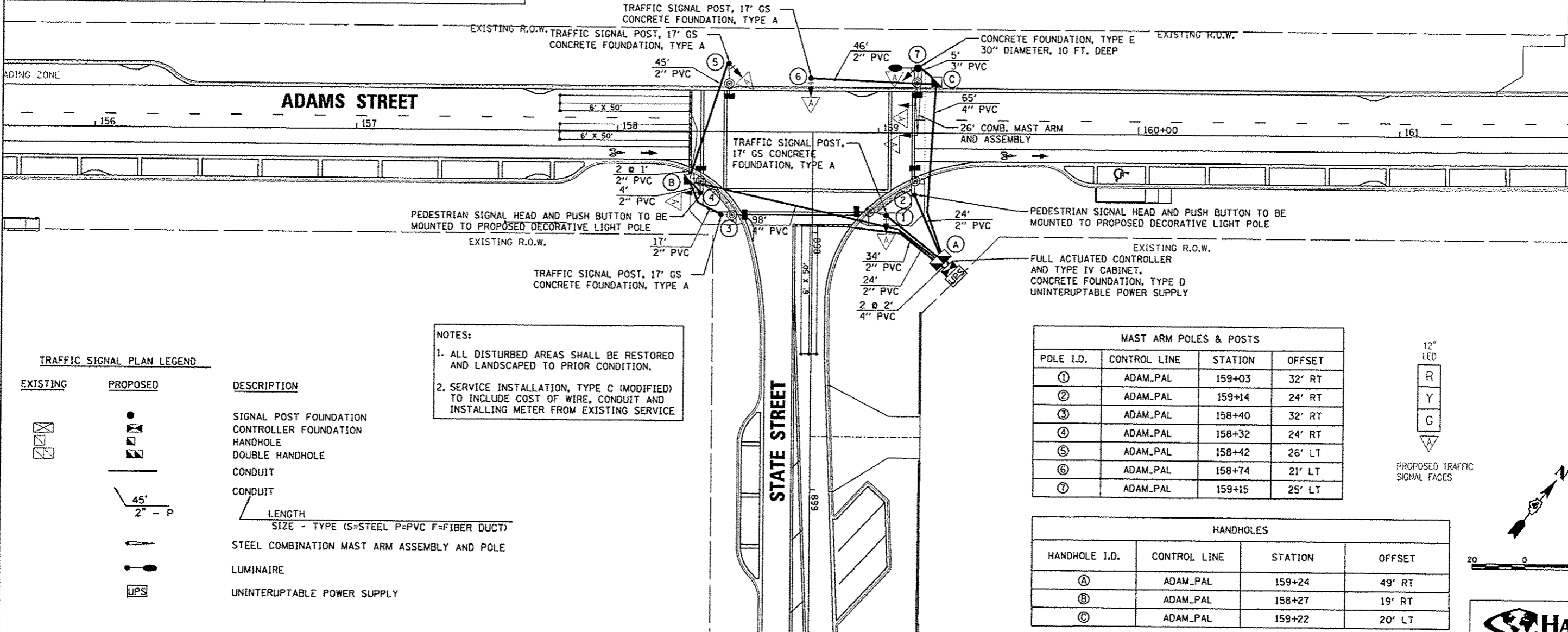
ADAMS STREET



STATE STREET



Pay Item #	Pay Item	Unit	Quantity
81028350	UNDERGROUND CONDUIT, PVC, 2" DIA.	FOOT	196
81028370	UNDERGROUND CONDUIT, PVC, 3" DIA.	FOOT	5
81028390	UNDERGROUND CONDUIT, PVC, 4" DIA.	FOOT	167
81400700	HANDHOLE, PORTLAND CEMENT CONCRETE	EACH	3
81400720	DOUBLE HANDHOLE, PORTLAND CEMENT CONCRETE	EACH	1
85700200	FULL-ACTUATED CONTROLLER AND TYPE IV CABINET	EACH	1
87301245	ELECTRIC CABLE IN CONDUIT, SIGNAL, NO. 14 SC	FOOT	1497.5
87301515	ELECTRIC CABLE IN CONDUIT, LEAD-IN, NO. 18 3 PAIR	FOOT	176.5
87502510	TRAFFIC SIGNAL POST, GALVANIZED STEEL, 17 FT.	EACH	4
87702860	STEEL COMBINATION MAST ARM ASSEMBLY AND POLE 26 FT.	EACH	1
87800100	CONCRETE FOUNDATION, TYPE A	FOOT	12
87800215	CONCRETE FOUNDATION, TYPE D	FOOT	3.5
87800400	CONCRETE FOUNDATION, TYPE E, 30-INCH DIAMETER	FOOT	10
88040070	SIGNAL HEAD, POLYCARBONATE, LED, 1-FACE, 3-SECTION, BRACKET MOUNTED	EACH	5
88040090	SIGNAL HEAD, POLYCARBONATE, LED, 1-FACE, 3-SECTION, MAST ARM MOUNTED	EACH	2
88102717	PEDESTRIAN SIGNAL HEAD, LED, 1-FACE, BRACKET MOUNTED WITH COUNTDOWN TIMER	EACH	6
88200110	TRAFFIC SIGNAL BACKPLATE, LOUVERED	EACH	7
88500100	INDUCTIVE LOOP DETECTOR	EACH	2
88600100	DETECTOR LOOP, TYPE 1	FOOT	536.5
88800100	PEDESTRIAN PUSH BUTTON	EACH	6
X8050135	SERVICE INSTALLATION, TYPE C (MODIFIED)	EACH	1
XX005428	INTERNALLY ILLUMINATED STREET NAME SIGN	EACH	1
Z0033068	TRAFFIC SIGNAL BATTERY BACKUP SYSTEM	EACH	1
	ELECTRIC CABLE IN CONDUIT NO. 6, 1/C	FOOT	711
X8211175	LUMINAIRE, LED HORIZONTAL MOUNT 175 WATT	EACH	1



NOTES:
 1. ALL DISTURBED AREAS SHALL BE RESTORED AND LANDSCAPED TO PRIOR CONDITION.
 2. SERVICE INSTALLATION, TYPE C (MODIFIED) TO INCLUDE COST OF WIRE, CONDUIT AND INSTALLING METER FROM EXISTING SERVICE

TRAFFIC SIGNAL PLAN LEGEND

EXISTING	PROPOSED	DESCRIPTION
		SIGNAL POST FOUNDATION
		CONTROLLER FOUNDATION
		HANDHOLE
		DOUBLE HANDHOLE
		CONDUIT
		CONDUIT LENGTH
		SIZE - TYPE (S=STEEL P=PVC F=FIBER DUCT)
		STEEL COMBINATION MAST ARM ASSEMBLY AND POLE
		LUMINAIRE
		UNINTERRUPTABLE POWER SUPPLY

MAST ARM POLES & POSTS			
POLE I.D.	CONTROL LINE	STATION	OFFSET
①	ADAM.PAL	159+03	32' RT
②	ADAM.PAL	159+14	24' RT
③	ADAM.PAL	158+40	32' RT
④	ADAM.PAL	158+32	24' RT
⑤	ADAM.PAL	158+42	26' LT
⑥	ADAM.PAL	158+74	21' LT
⑦	ADAM.PAL	159+15	25' LT

HANDHOLES			
HANDHOLE I.D.	CONTROL LINE	STATION	OFFSET
Ⓐ	ADAM.PAL	159+24	49' RT
Ⓑ	ADAM.PAL	158+27	19' RT
Ⓒ	ADAM.PAL	159+22	20' LT

