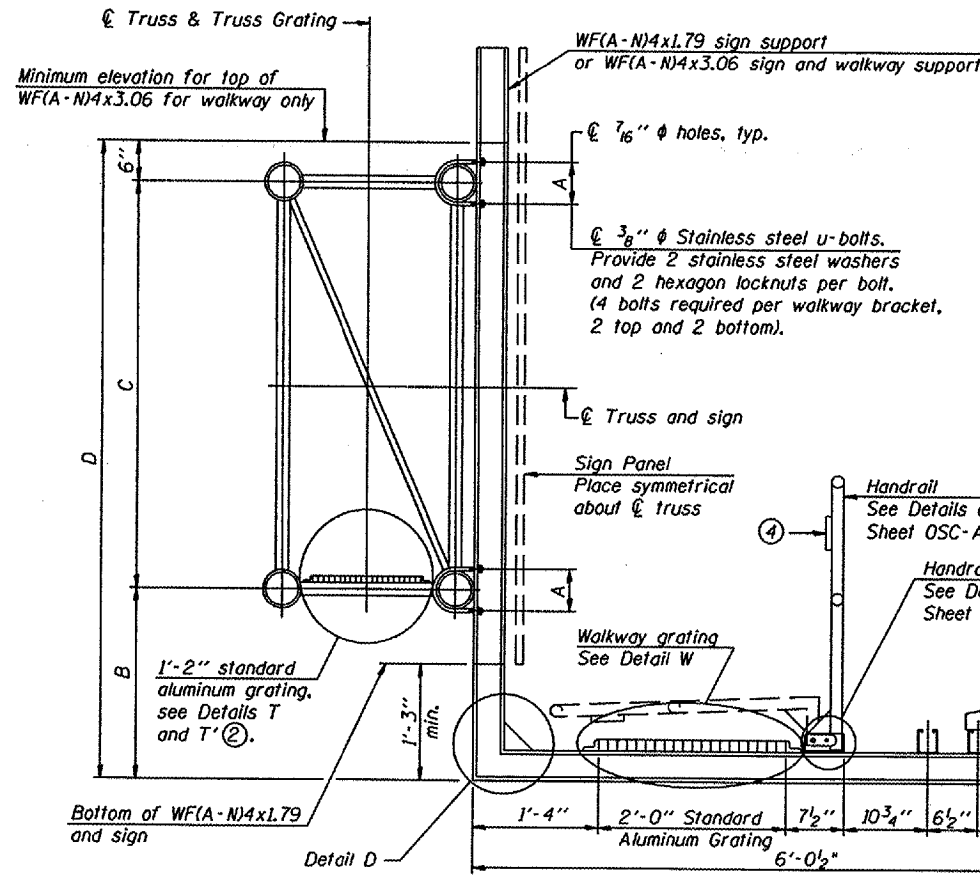


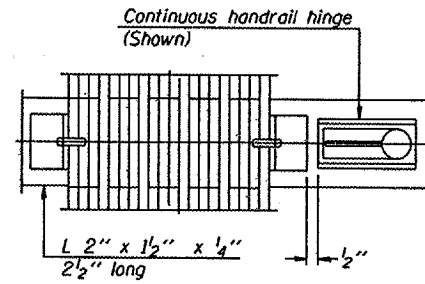
STATE OF ILLINOIS  
DEPARTMENT OF TRANSPORTATION

Various Routes  
OVD SIN STR REP & REPL 2008-9  
Various Counties  
Sheet 56 of 105  
Contract Number 44973

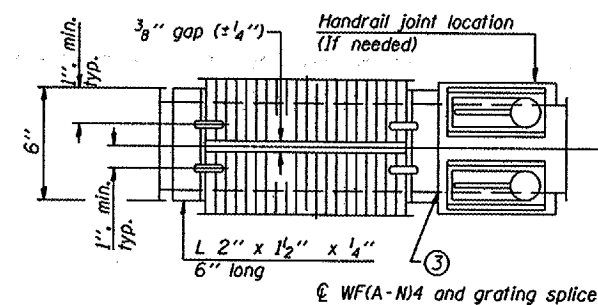


SECTION B-B

Sign shall be even with the top of the bracket,  
but it may extend no more than 6" above the  
top of the bracket for field adjustments.



(CONTINUOUS WALKWAY GRATING)

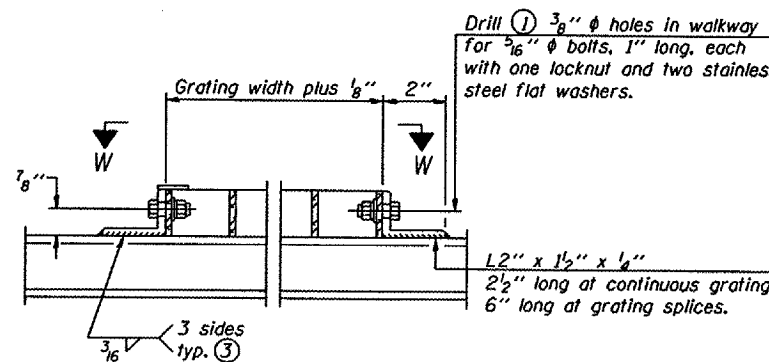


SECTION W-W  
(AT WALKWAY GRATING SPLICE)

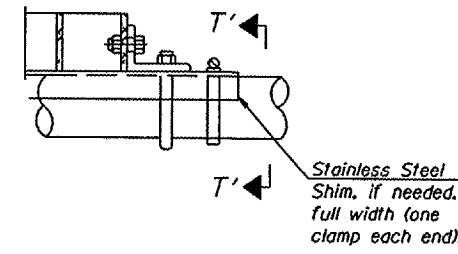
**SPECIFICATIONS FOR STANDARD ALUMINUM GRATING**  
Main Bearing Bars (MBB) shall be 3/16" x 1/2" on 1 3/16" centers and conform to  
ASTM B211 Alloy 6061-T6.  
Cross bars (CB) shall be 3/16" x 1/2" on 4" centers and conform to ASTM B221  
Alloy 6063-T5 or 6061-T6.

OR

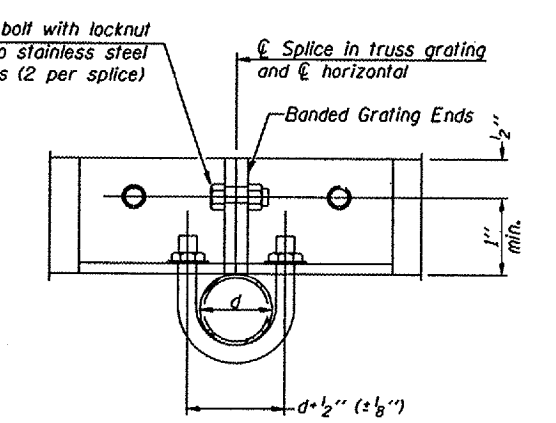
Aluminum Grating with modified "I" sections for main bearing bars shall meet  
the following requirements:  
Main bars shall conform to ASTM B221 Alloy 6061-T6 and have a minimum  
section modulus equal to 0.0705 in.<sup>3</sup> per bar, a depth of 1/2", spaced on 1 3/16"  
centers.  
Cross bars shall conform to ASTM B221 Alloy 6063-T5 or T-42 and spaced  
on 4" centers.



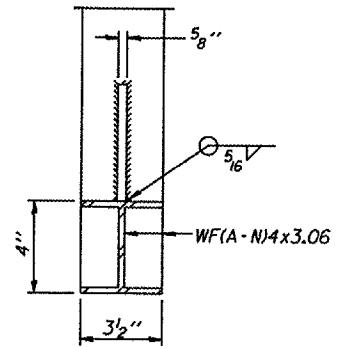
DETAIL W  
(Walkway grating)



DETAIL T'  
(Truss grating splice)

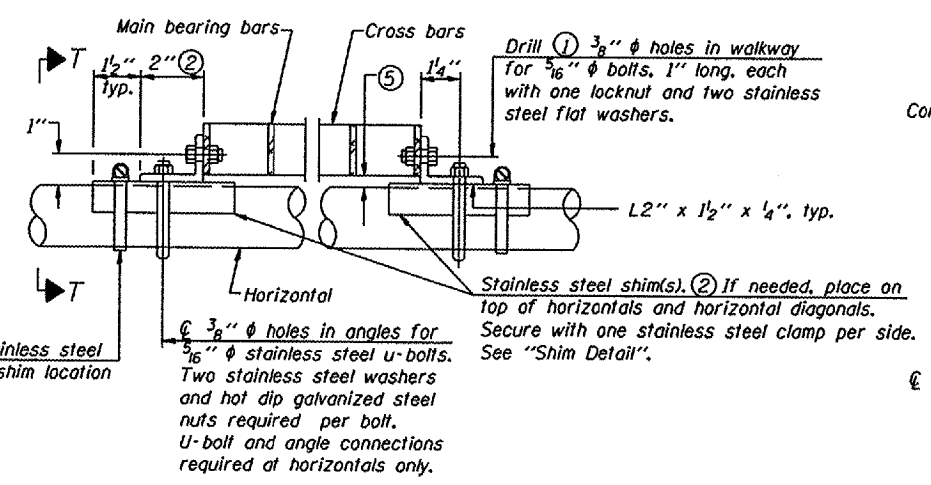


SECTION T'-T'

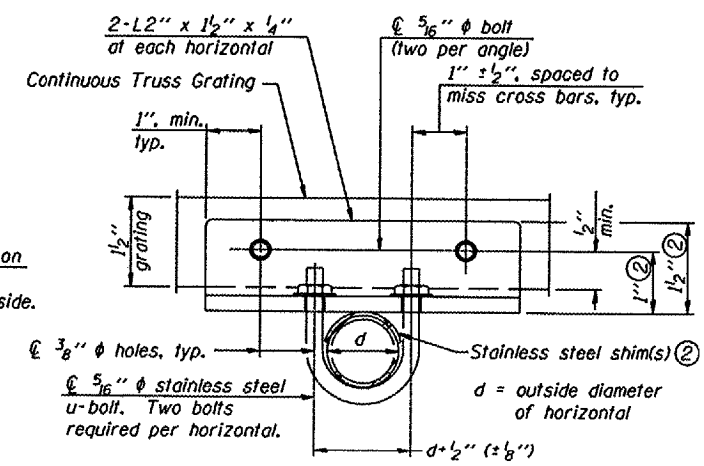


SECTION D-D

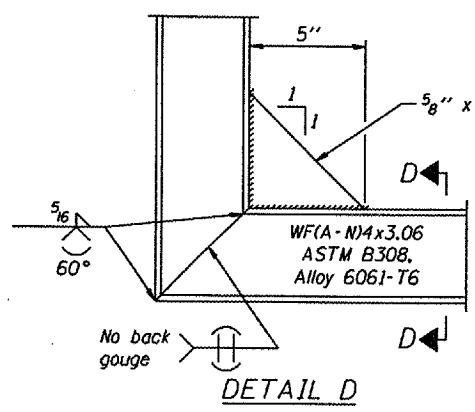
Screw type stainless steel  
tube clamp at shim location



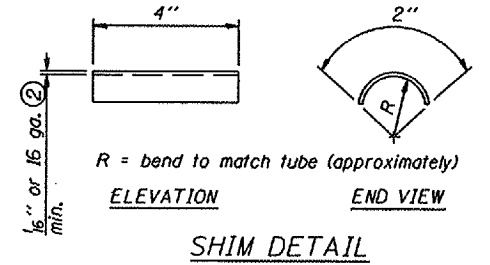
DETAIL T  
(Continuous Truss grating)



SECTION T-T



DETAIL D



NUMBER	REVISION	DATE

DESIGNED -	20
CHECKED -	EXAMINED _____
DRAWN -	PASSED _____
CHECKED -	ENGINEER OF BRIDGE DESIGN
	ENGINEER OF BRIDGES AND STRUCTURES

OSC-A-7 6/01/2007

- Drilling holes in grating may be done in shop or field, based on Contractor's preference and subject to accurate alignment.
- Stainless steel shims shall be placed as shown in Detail T if needed to compensate for alignment variations between horizontal and diagonal pipes beyond adjustment provided by angles. Thicker shims may be used subject to shims performing properly.
- If Handrail Joint present, weld angle to WF(A-N)4 and 1/4" extension bars. (See Base Sheet OSC-A-8.)
- 1/8" x 1/2" x 2" welded to handrail posts to protect locations that contact grating.
- Tube to grating gap may vary from 0 to 1/2", max. to align walkway, allow for camber, etc.

Reuse existing walkway and walkway support brackets.

Structure Number	Station	A	B	C	D

CANTILEVER SIGN STRUCTURES  
WALKWAY DETAILS  
ALUMINUM TRUSS & STEEL POST

District 3  
Overhead Sign Structure  
Repair & Replacement