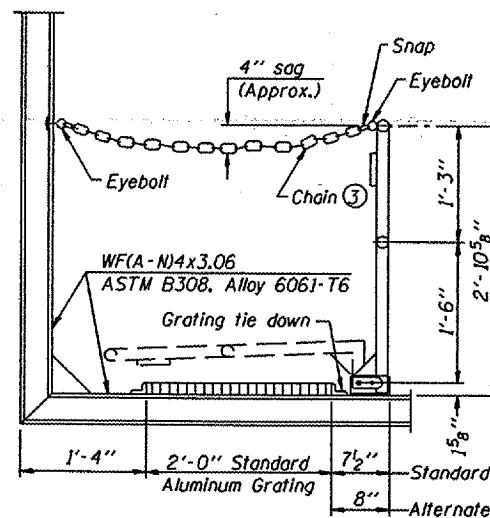
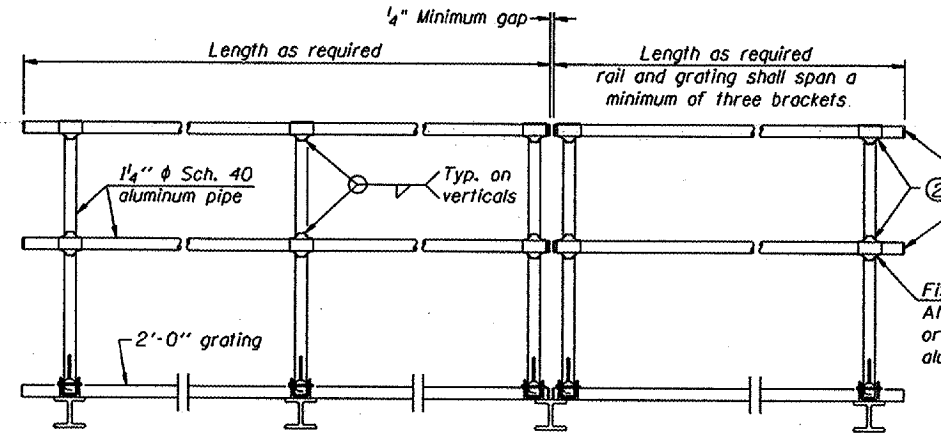


STATE OF ILLINOIS  
DEPARTMENT OF TRANSPORTATION

Various Routes  
OVD SIN STR REP & REPL 2008-9  
Various Counties  
Sheet 79 of 105  
Contract Number 44973



**SIDE ELEVATION**  
(Showing safety chain w/o sign)

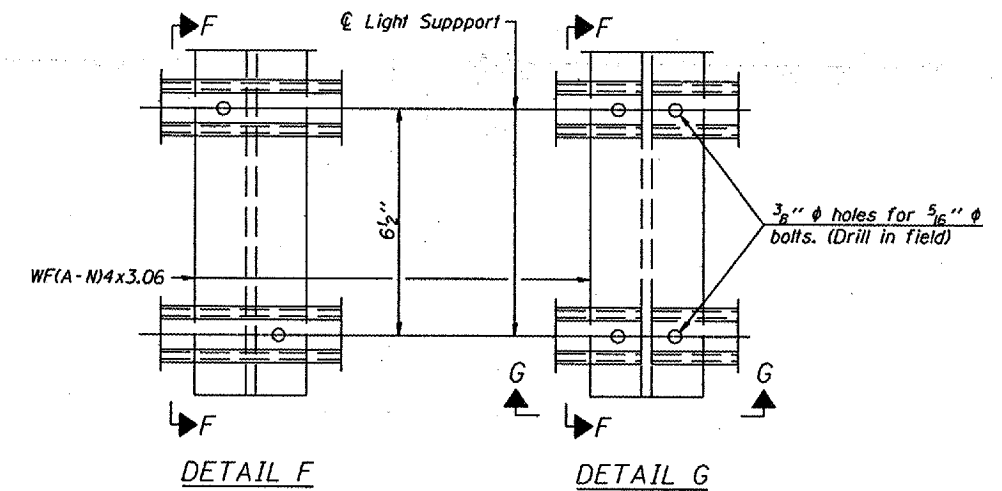


**FRONT ELEVATION**

**HANDRAIL DETAILS**

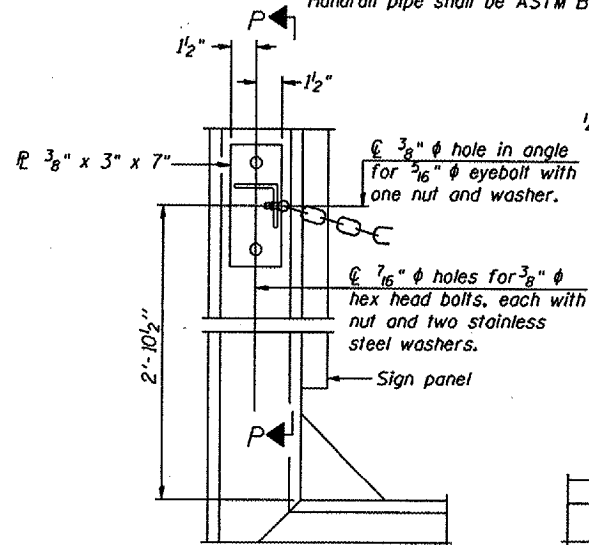
Handrail pipe shall be ASTM B241 or B429, Alloy 6063-T6 or Alloy 6061-T6.

- ① Install standard force-fit end caps or weld 1/8" end plates with 1/8" c.f.w. and grind smooth. (All rail ends)
- ② Horizontal handrail member shall be continuous thru fitting. Provide 1/16" hole in fitting for 3/8" bolt. Field drill 1/16" hole in horizontal rail member. Provide locknut and two stainless steel washers for bolt. (Use 5/16" eyebolts in 1/16" holes on top rail at ends only.)



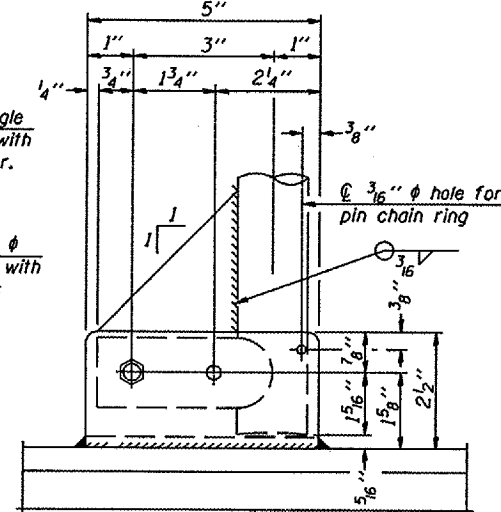
**DETAIL F**

**DETAIL G**

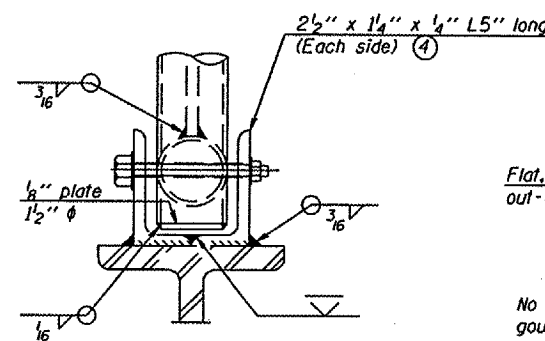


**ALTERNATE SAFETY CHAIN ATTACHMENT**  
(With Sign Present)

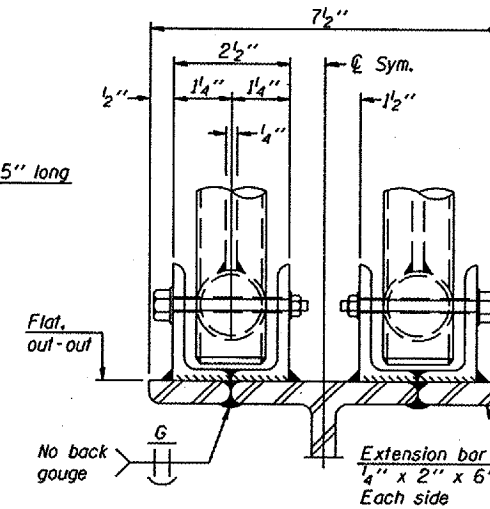
Items not shown same as "Side Elevation" of "Handrail Details"



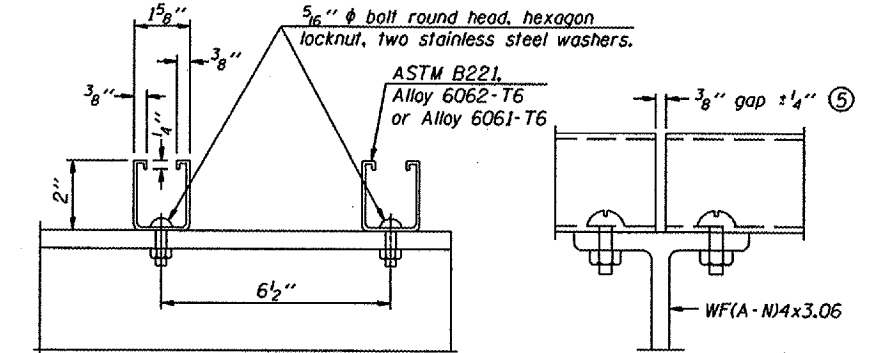
**SIDE ELEVATION**



**FRONT ELEVATION**  
See "Elevation" at right for dimensions.



**ELEVATION AT HANDRAIL JOINT** ④

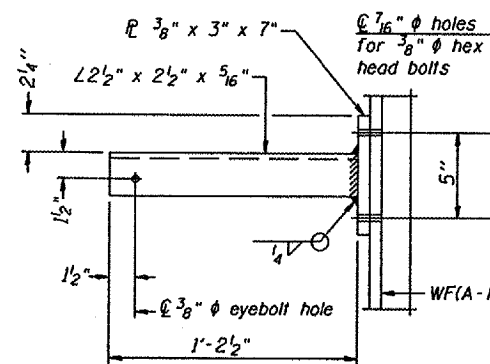


**SECTION F-F**

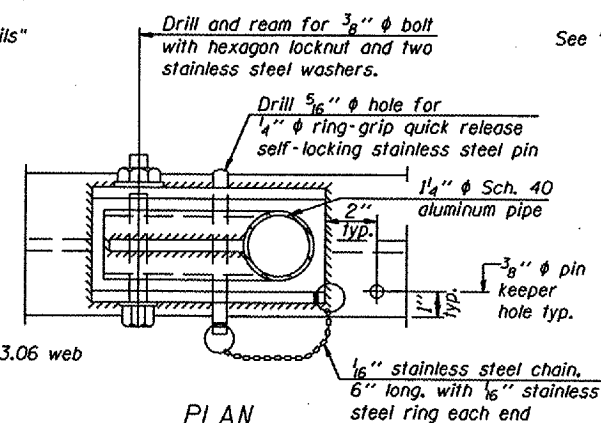
**SECTION G-G**

**LIGHTING FIXTURE MOUNTS (IF REQUIRED)**

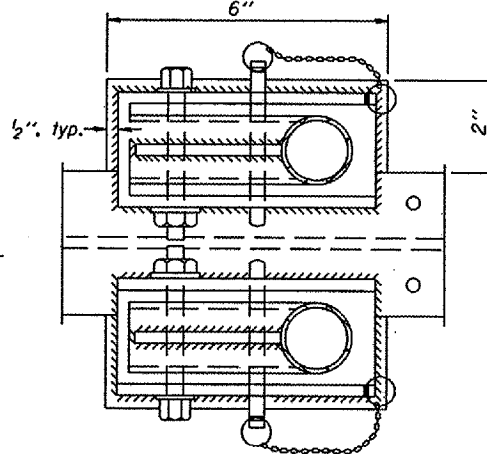
- ⑤ Field cut ends of light support channels shall be free of burrs or hazardous projections and coated with zinc-rich primer or equivalent.



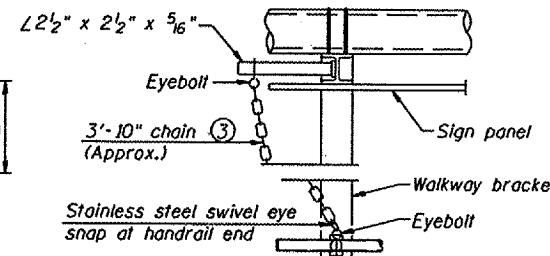
**SECTION P-P**



**PLAN**  
**DETAIL E HANDRAIL HINGE**

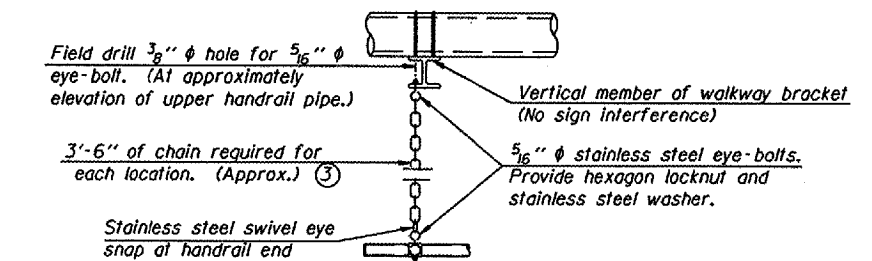


**PLAN AT HANDRAIL JOINT**  
Details not shown same as "PLAN"



**ALTERNATE SAFETY CHAIN ATTACHMENT**  
Details not shown similar to "Safety Chain" Details  
(Walkway omitted for clarity)

- ③ 3/16" Type 304L stainless steel chain, approximately 12 links per foot.
- ④ Extrusions may be used in lieu of the details shown, with approval of the Engineer.



**SAFETY CHAIN**

One required for each end of each walkway.

DESIGNED	20
CHECKED	EXAMINED
DRAWN	PASSED
CHECKED	ENGINEER OF BRIDGE DESIGN
	ENGINEER OF BRIDGES AND STRUCTURES

NUMBER	REVISION	DATE

OVERHEAD SIGN STRUCTURES  
ALUMINUM HANDRAIL DETAILS

District 4  
Overhead Sign Structure  
Repair & Replacement