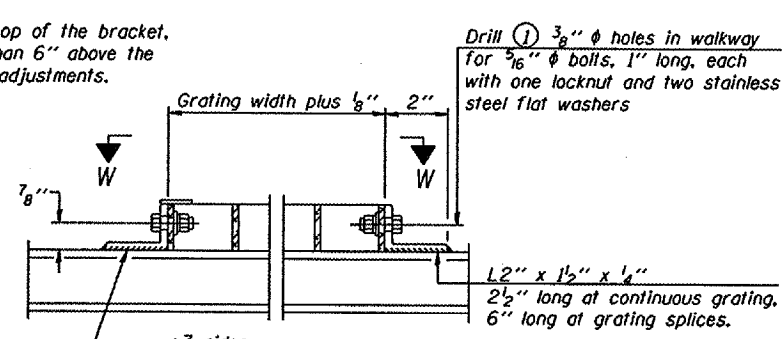
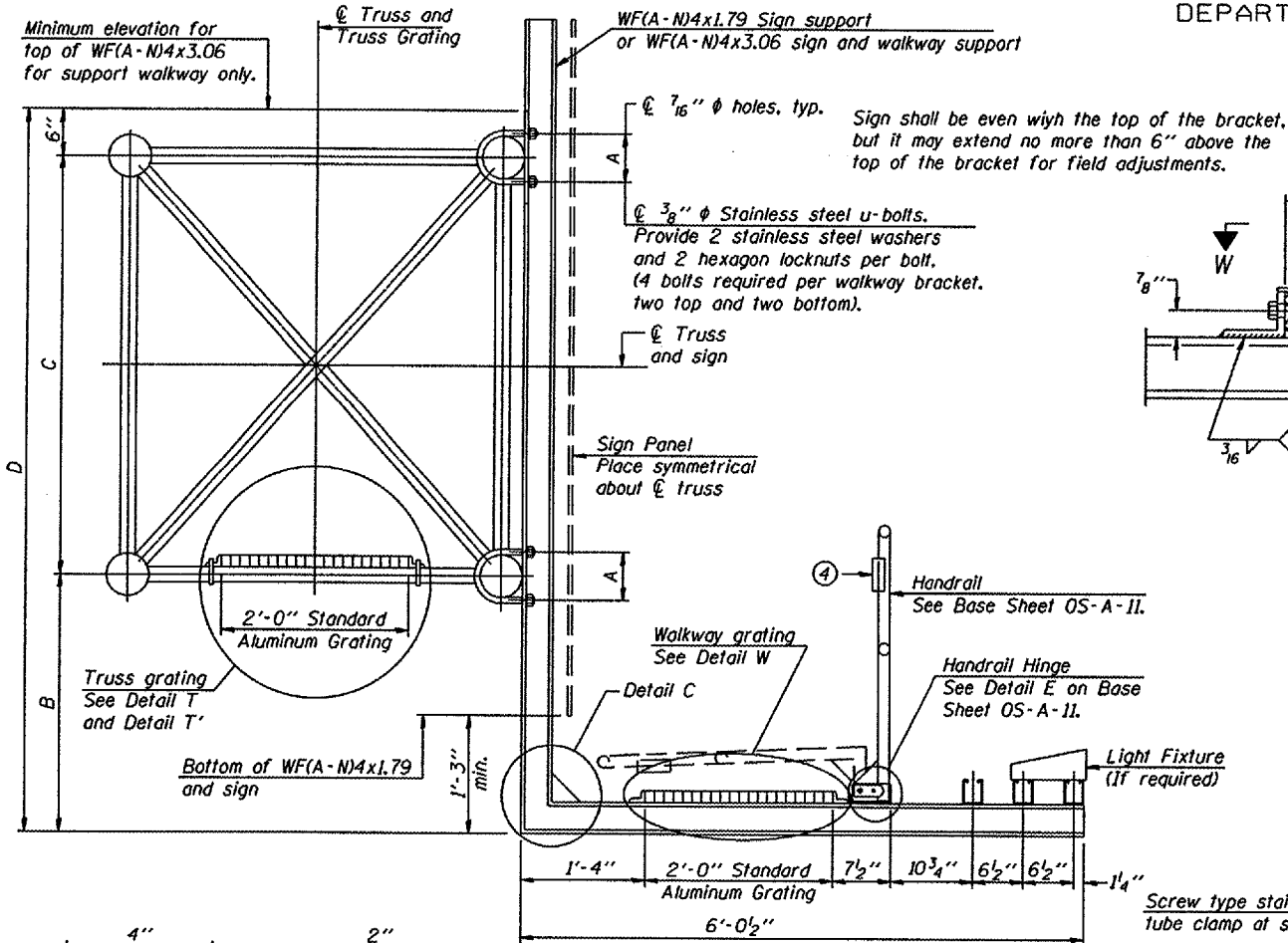
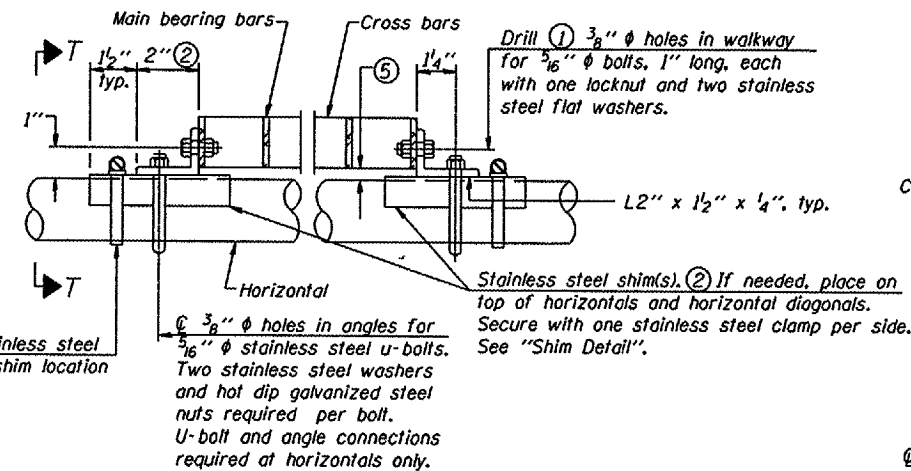
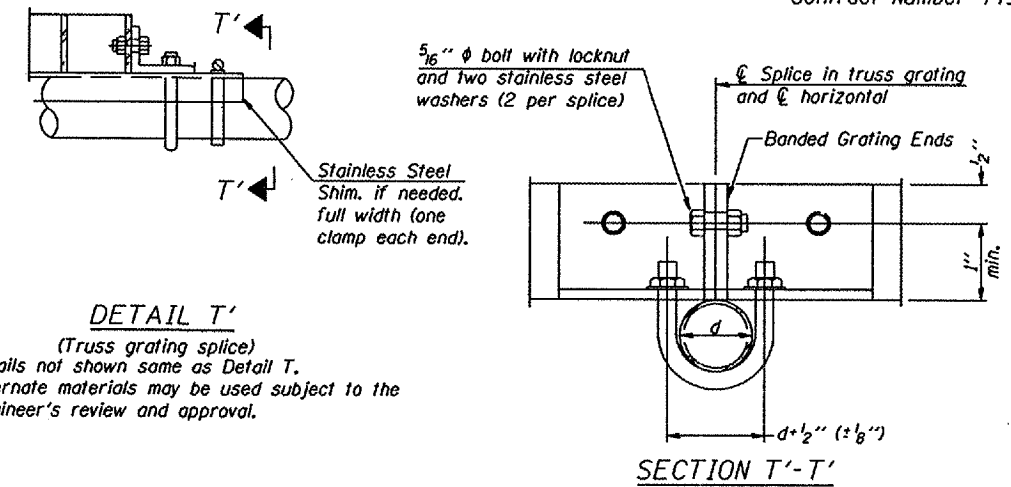


STATE OF ILLINOIS  
DEPARTMENT OF TRANSPORTATION

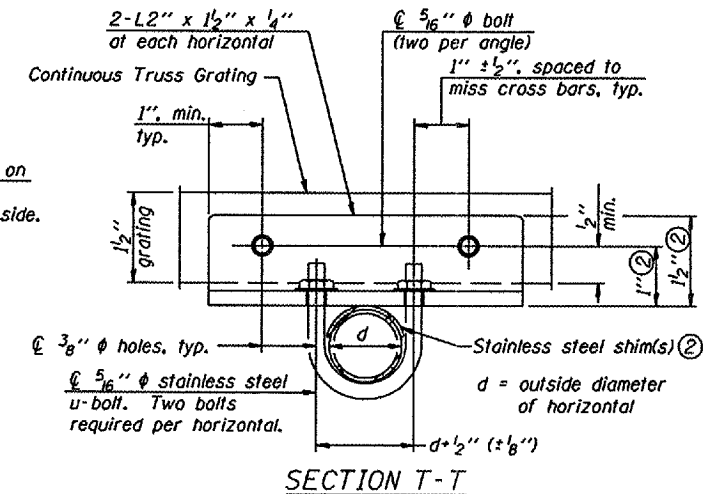
Various Routes  
OVD SIN STR REP & REPL 2008-9  
Various Counties  
Sheet 101 of 105  
Contract Number 44973



DETAIL W  
(Walkway grating)



DETAIL T  
(Continuous Truss grating)



SECTION T-T

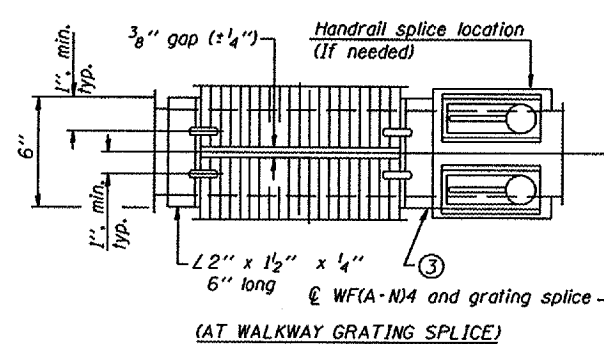
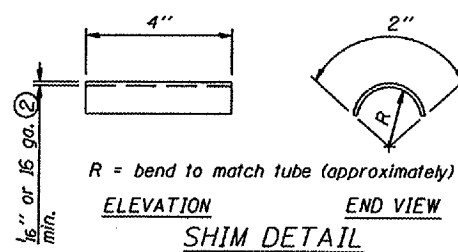
SPECIFICATIONS FOR STANDARD ALUMINUM GRATING

Main Bearing Bars shall be 3/16" x 1 1/2" on 1 3/16" centers and conform to ASTM B221 Alloy 6061-T6.  
Cross bars shall be 3/16" x 1 1/2" on 4" centers and conform to ASTM B221 Alloy 6063-T5 or 6061-T6.

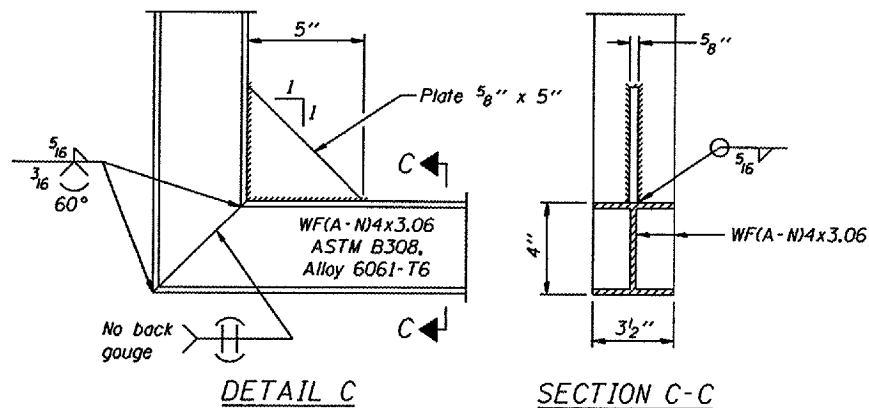
OR

Aluminum Grating with modified "I" sections for main bearing bars shall meet the following requirements:  
Main bars shall conform to ASTM B221 Alloy 6061-T6 and have a minimum section modulus equal to 0.0705 in.<sup>3</sup> per bar, a depth of 1 1/2", spaced on 1 3/16" centers.  
Cross bars shall conform to ASTM B221 Alloy 6063-T5 or T-42 and spaced on 4" centers.

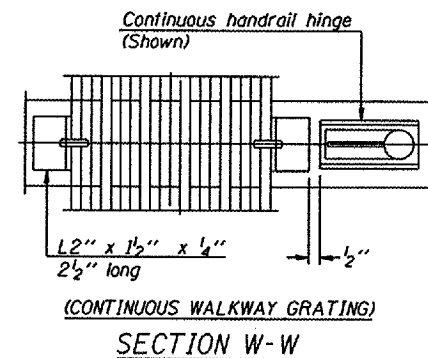
SECTION B-B



SECTION C-C



SECTION C-C



SECTION W-W

DESIGNED -	20
CHECKED -	EXAMINED
DRAWN -	PASSED
CHECKED -	ENGINEER OF BRIDGES AND STRUCTURES

OS-A-10 6/01/2007

NUMBER	REVISION	DATE

Structure Number	Station	A	B	C	D

- Drilling holes in grating may be done in shop or field, based on Contractor's preference and subject to accurate alignment.
- Stainless steel shims shall be placed as shown in Detail T if needed to compensate for alignment variations between horizontal and diagonal pipes beyond adjustment provided by angles. Thicker shims may be used subject to shims performing properly.
- If Handrail Joint present, weld angle to WF(A-N)4 and 1/4" extension bars. (See Base Sheet OS-A-II.)
- 1/8" x 1/2" x 2" welded to handrail posts to protect locations that contact grating.
- Tube to grating gap may vary from 0 to 1/2", max. to align walkway, allow for camber, etc.

OVERHEAD SIGN STRUCTURES  
ALUMINUM WALKWAY DETAILS

District 8  
Overhead Sign Structure  
Repair & Replacement