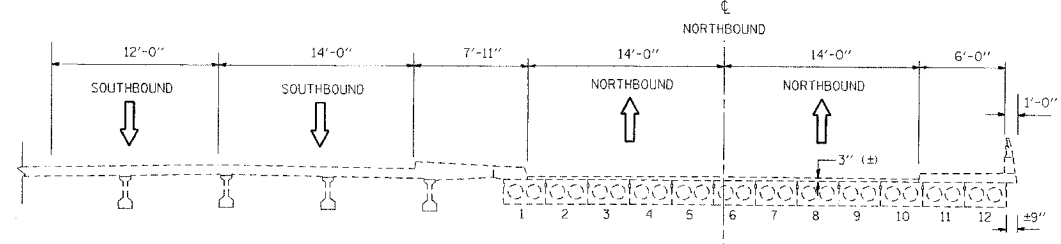
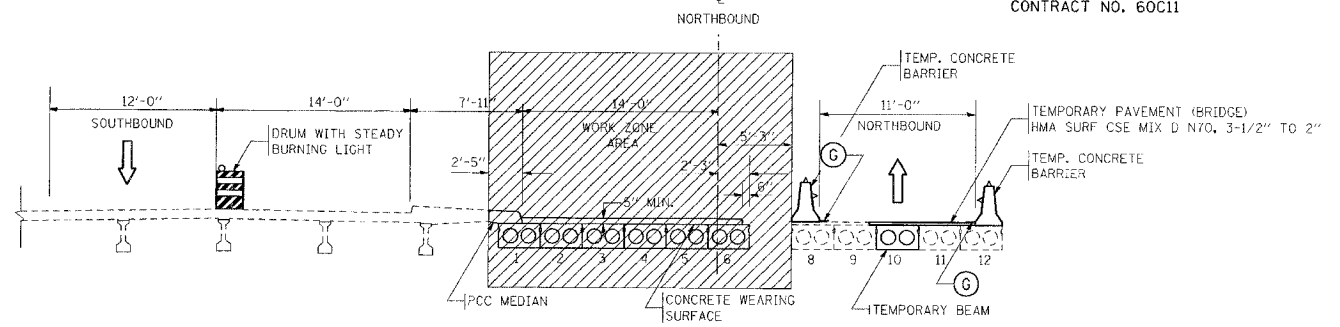


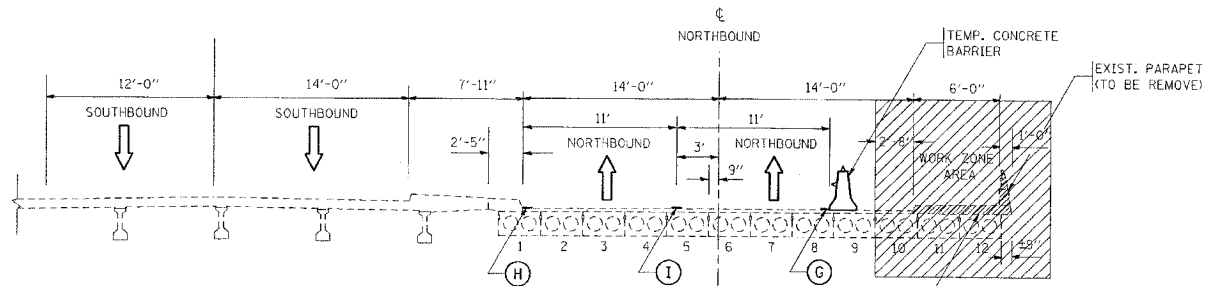
| | | | | |
|---|-------------|--------|--------------|-----------|
| F.A.P. RTE. | SECTION | COUNTY | TOTAL SHEETS | SHEET NO. |
| 368 | 1919 VB-R-1 | COOK | 47 | 6 |
| STA. | TO STA. | | | |
| FED. ROAD DIST. NO. 1 ILLINOIS FED. AID PROJECT | | | | |
| CONTRACT NO. 60C11 | | | | |



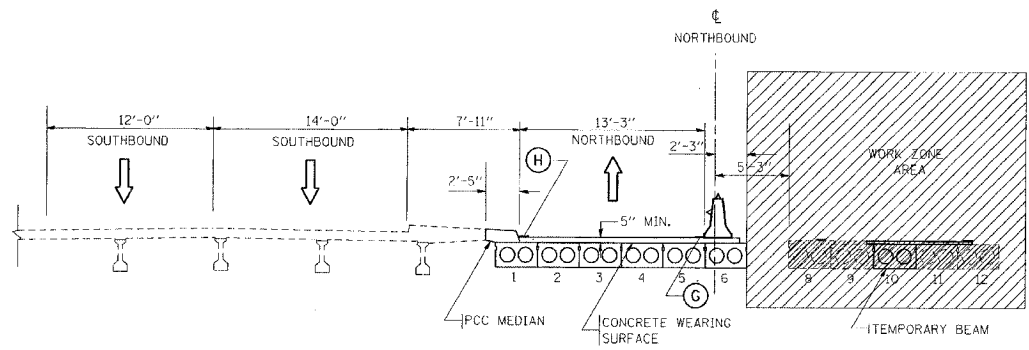
EXISTING TYPICAL SECTION
(LOOKING NORTH)



STAGE 1 CONSTRUCTION
(LOOKING NORTH)



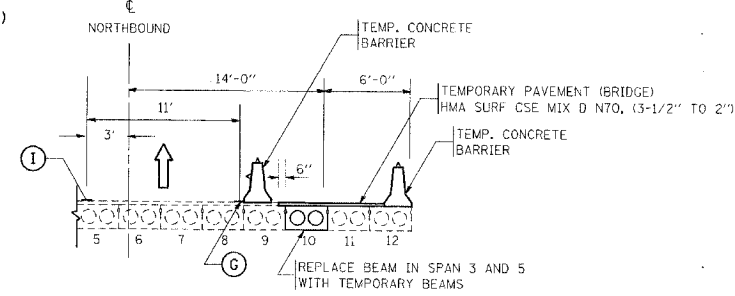
PRELIMINARY STAGE
(LOOKING NORTH)



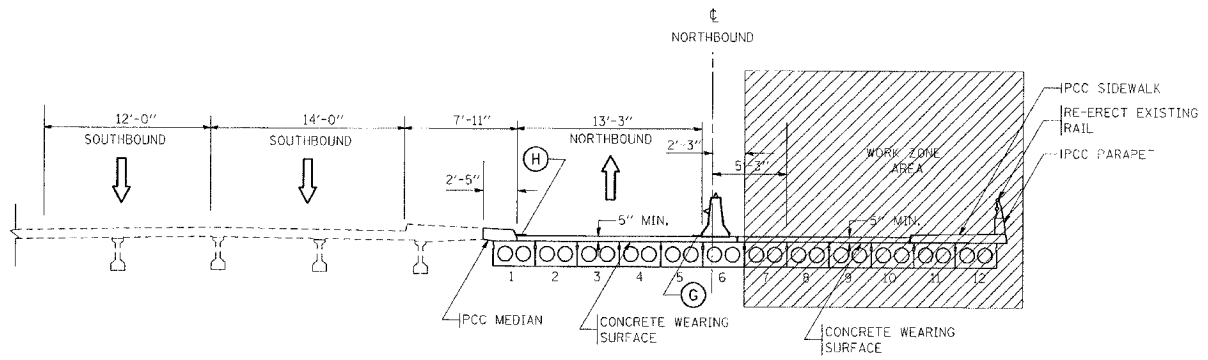
STAGE II REMOVAL
(LOOKING NORTH)

LEGEND

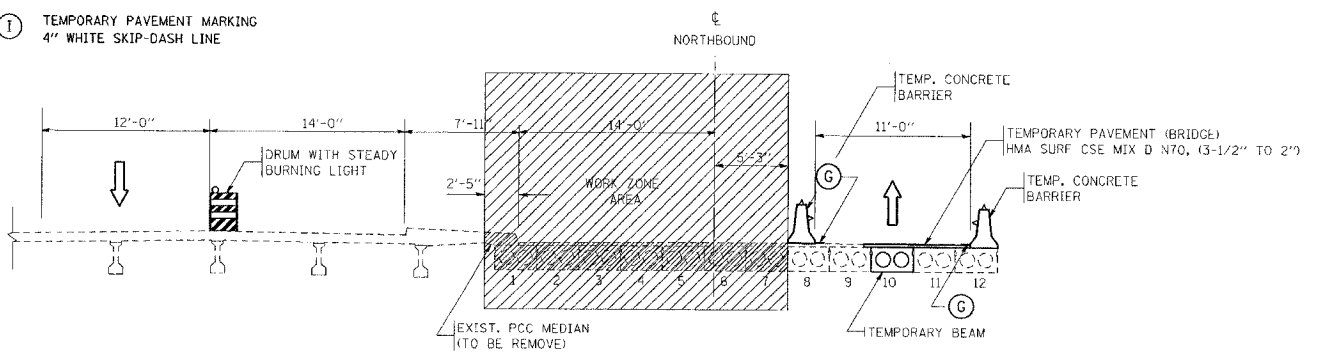
- (A) THERMOPLASTIC PAVEMENT MARKING
4" SOLID WHITE EDGE LINE
- (B) THERMOPLASTIC PAVEMENT MARKING
4" SOLID YELLOW EDGE LINE
- (C) THERMOPLASTIC PAVEMENT MARKING
4" WHITE SKIP-DASH LINE
- (D) POLYUREA PAVEMENT MARKING
4" SOLID WHITE EDGE LINE
- (E) POLYUREA PAVEMENT MARKING
4" WHITE SKIP-DASH LINE
- (F) POLYUREA PAVEMENT MARKING
4" SOLID YELLOW EDGE LINE
- (G) TEMPORARY PAVEMENT MARKING,
4" SOLID WHITE EDGE LINE
- (H) TEMPORARY PAVEMENT MARKING
4" SOLID YELLOW EDGE LINE
- (I) TEMPORARY PAVEMENT MARKING
4" WHITE SKIP-DASH LINE



PRELIMINARY STAGE CONSTRUCTION
(LOOKING NORTH)



STAGE II CONSTRUCTION
(LOOKING NORTH)



STAGE 1 REMOVAL
(LOOKING NORTH)

| REVISIONS | |
|-----------|------|
| NAME | DATE |
| | |
| | |
| | |
| | |
| | |
| | |
| | |
| | |
| | |

ILLINOIS DEPARTMENT OF TRANSPORTATION
**FAP 368: PULASKI ROAD (NB)
OVER BRC RAILROAD**
**TYPICAL SECTIONS FOR
MAINTENANCE OF TRAFFIC**

SCALE: _____ DRAWN BY _____
DATE _____ CHECKED BY _____