

Benchmark: Brass Disk labeled "CREATE AAR 2004" in sidewalk 18' south of south abutment. Elev. 100.00

Existing Structure: No. 016-1020 built in 1943 as SA Rte. 051, Sec. 1919 VB at Sta. 17+81.60. Seven spans with concrete piers and abutments. Superstructure replaced with PPC Deck Beams with bit. surf in 1980. Structure has sidewalk, parapet and alum rail on east and median on west. 37'-5" out to out. Contractor shall remove existing superstructure and replace with PPC Dk. Bms in kind, conc wearing surface, sidewalk, parapet, re-erected alum rail and median.

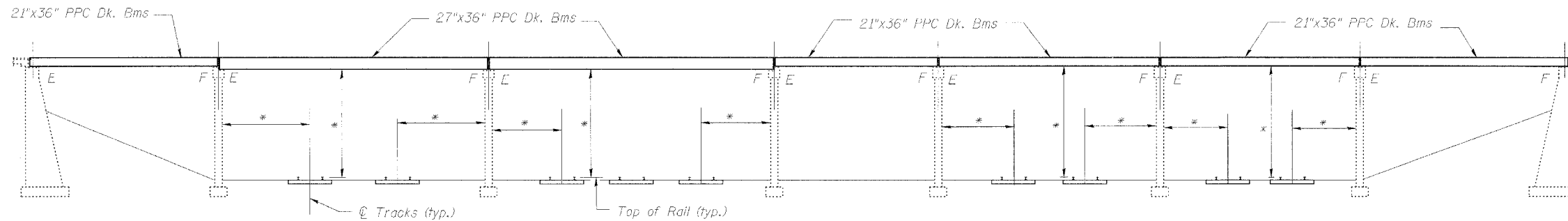
Salvage: Remove and re-erect alum rail, remove and store existing light poles.

Traffic to be maintained at all times utilizing stage construction.

STATE OF ILLINOIS
DEPARTMENT OF TRANSPORTATION

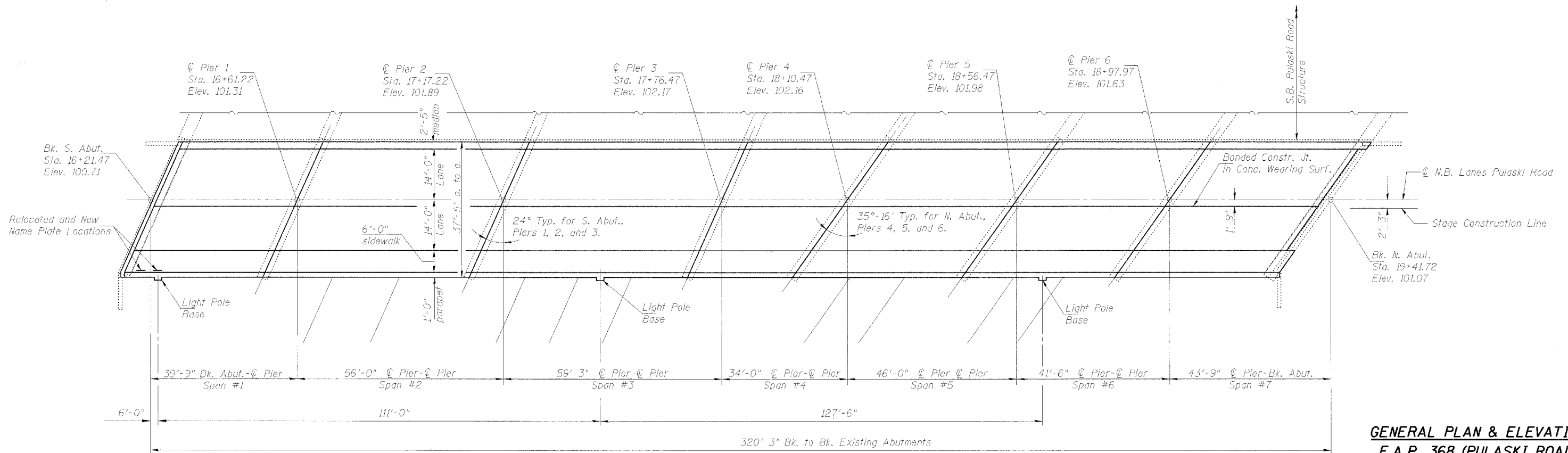
ROUTE NO.	SECTION	COUNTY	LISTED SHEETS	SHEET NO.	SHEET NO. 1 28 SHEETS
F.A.P. 368	1919 VB-R-1	Cook	47	10	
FED. ROAD DIST. NO. 7		ILLINOIS	FED. AID PROJECT DIV.		

Contract # 60C11



ELEVATION

*Note: Existing clearances shall be maintained

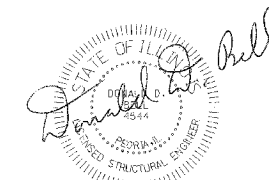


PLAN

DESIGNED	DDB
CHECKED	LLV
DRAWN	MGM
CHECKED	DDB

APPROVED
FOR STRUCTURAL ADEQUACY ONLY

Relvia E. Anderson (I.T.D.)
ENGINEER OF BRIDGES AND STRUCTURES



License Expires: 11/30/08
Date Signed: 8-20-07

GENERAL PLAN & ELEVATION
F.A.P. 368 (PULASKI ROAD)
OVER BRC RAILROAD,
SECTION 1919 VB-R-1,
COOK COUNTY, STA. 17+81.60
STRUCTURE NO. 016-1020

STS CONSULTANTS
111 NE Jefferson Ave.
Peoria, Illinois 61602
Ph(309)676-8464
FAX(309)676-5445
IL Design Firm Reg. No. 184-001518