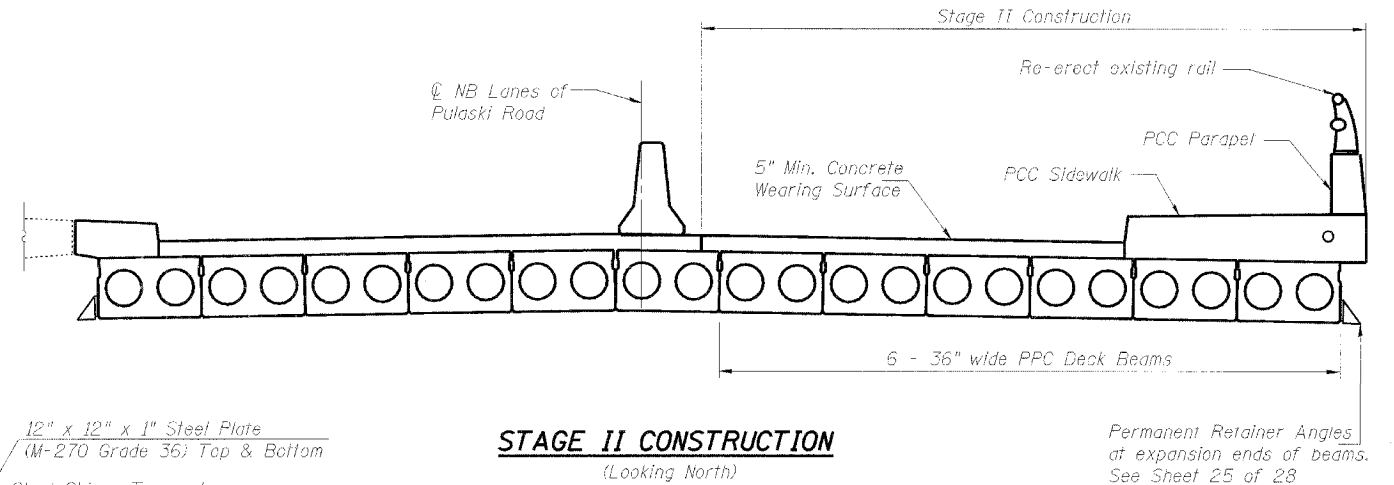
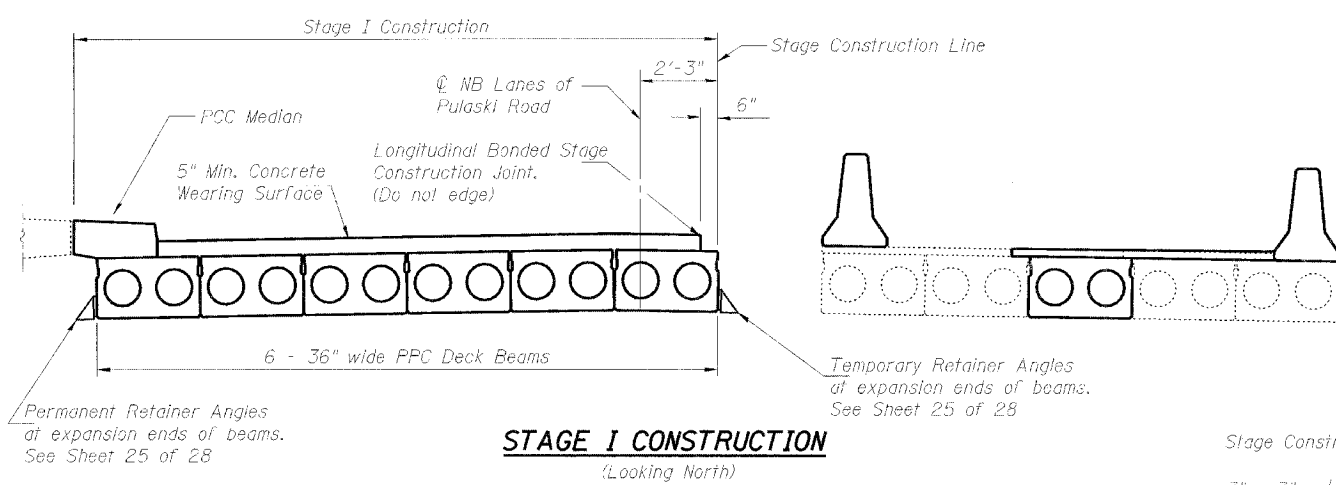
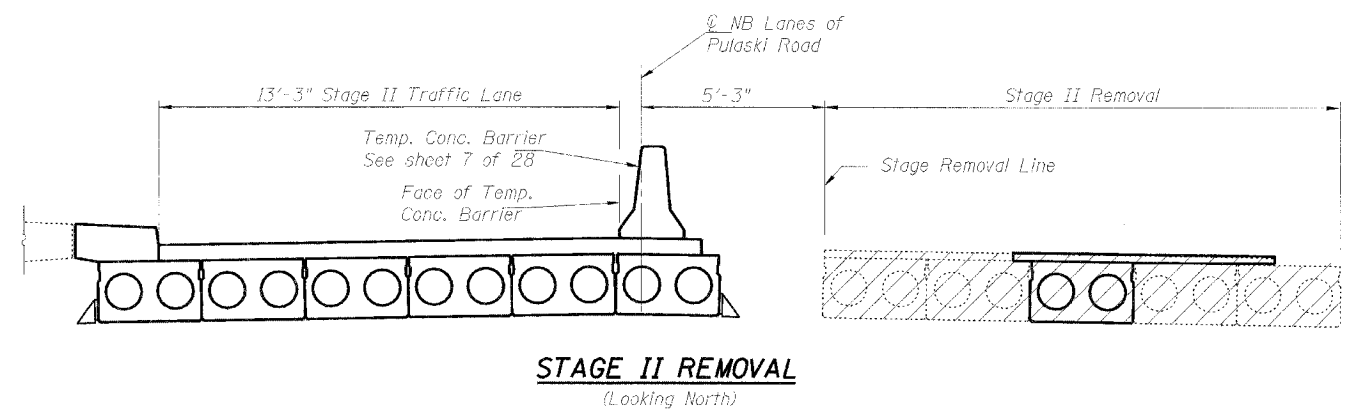
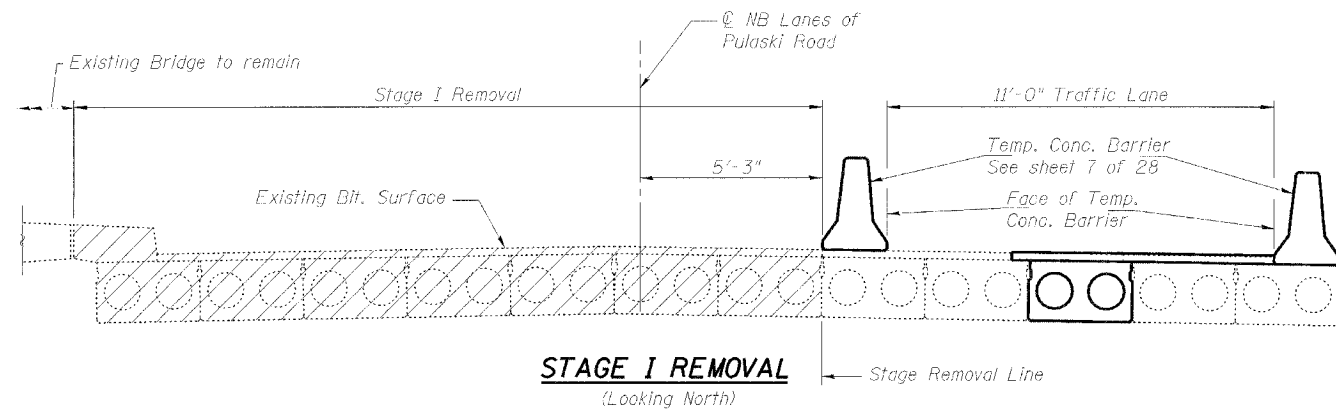
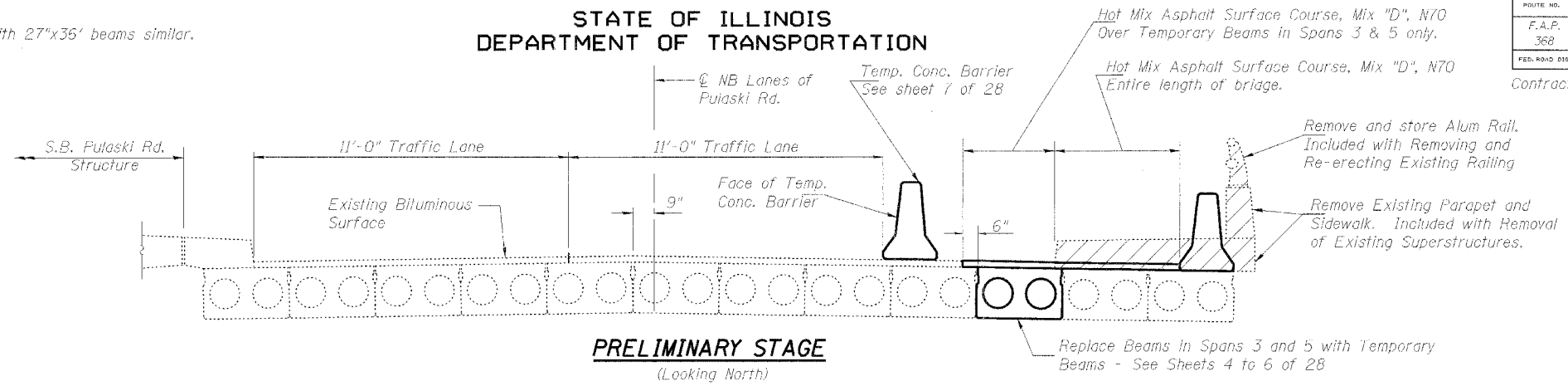


Spans 1, 4, 5, 6 & 7 with 21"x36" beams shown. Spans 2 & 3 with 27"x36" beams similar.

STATE OF ILLINOIS
DEPARTMENT OF TRANSPORTATION

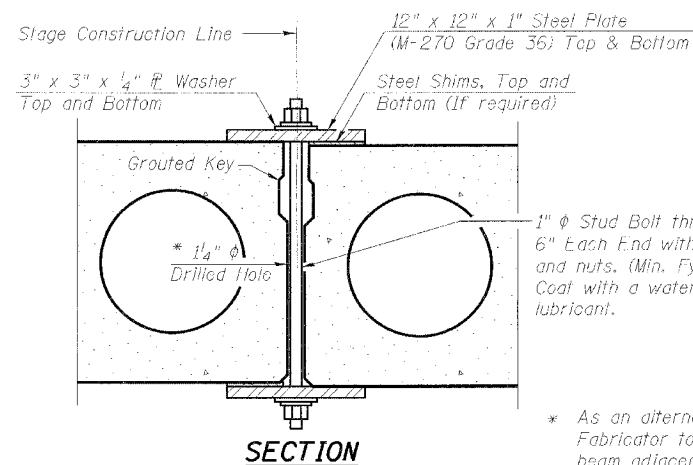
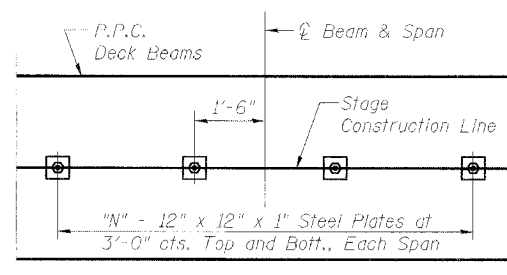
ROUTE NO.	SECTION	COUNTY	DATE SHEETS	SHEET NO.
F.A.P. 368	1919 VB-R-1	COOK	47	12
FED. ROAD DIST. NO. 7	ILLINOIS	FED. AID PROJECT-		

Contract # 60C11

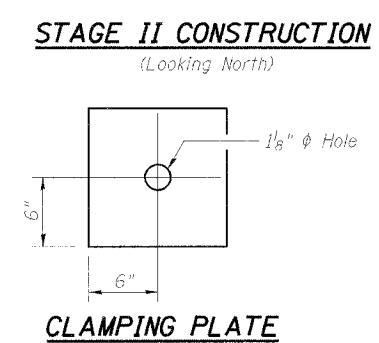


SHEAR KEY CLAMPING NOTES

1. See Standard Specifications for Stage Construction of Precast Prestressed Concrete Deck Beams.
2. Cost included with "Precast Prestressed Concrete Deck Beams".
3. See Stage Construction Details on Roadway Plans for traffic lanes.



SHEAR KEY CLAMPING DETAILS AT STAGE CONSTRUCTION JOINT



* As an alternate to the drilled holes, the Contractor may request the Fabricator to cast 2" diameter semi-circular recesses in the sides of each beam adjacent to the stage construction line. These recesses should align to form a hole at the appropriate locations for the clamping device bolts. If the Contractor elects to use this alternate, the details shall be identified on the shop drawings.

DESIGNED	DDB
CHECKED	LLV
DRAWN	MGM
CHECKED	DDB

"N" = 6 for spans 1,4,5,6 & 7
"N" = 8 for spans 2 & 3

STAGE CONSTRUCTION
F.A.P. 368 (PULASKI ROAD)
OVER BRC RAILROAD,
SECTION 1919 VB-R-1,
COOK COUNTY, STA. 17+81.60
STRUCTURE NO. 016-1020

STS CONSULTANTS
111 NE Jefferson Ave.
Peoria, Illinois 61602
Ph(309)676-8464
FAX(309)676-8445
IL Design Firm Reg. No. 184-001618