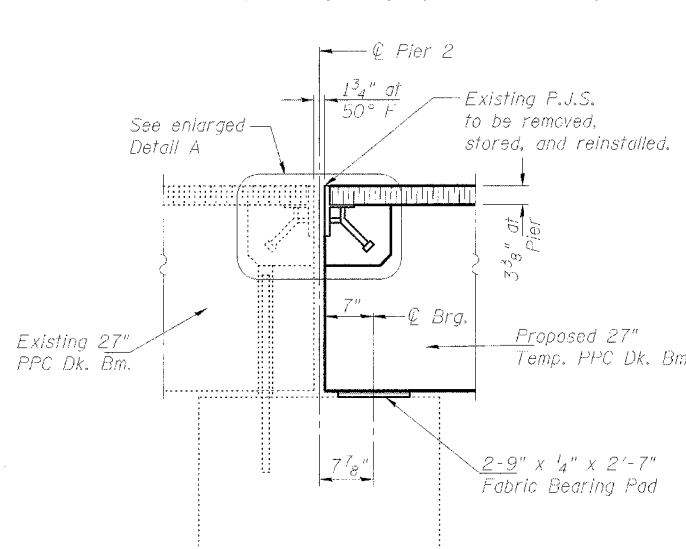
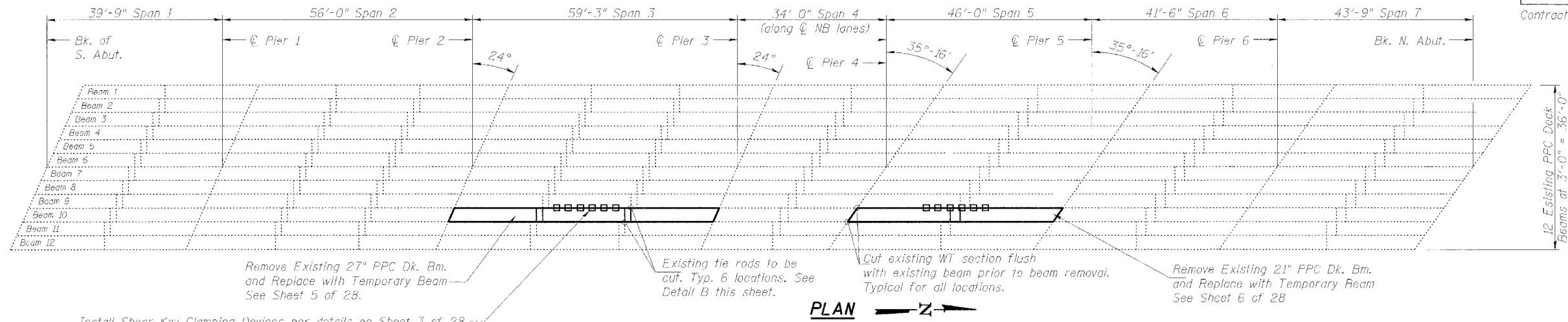


STATE OF ILLINOIS
DEPARTMENT OF TRANSPORTATION

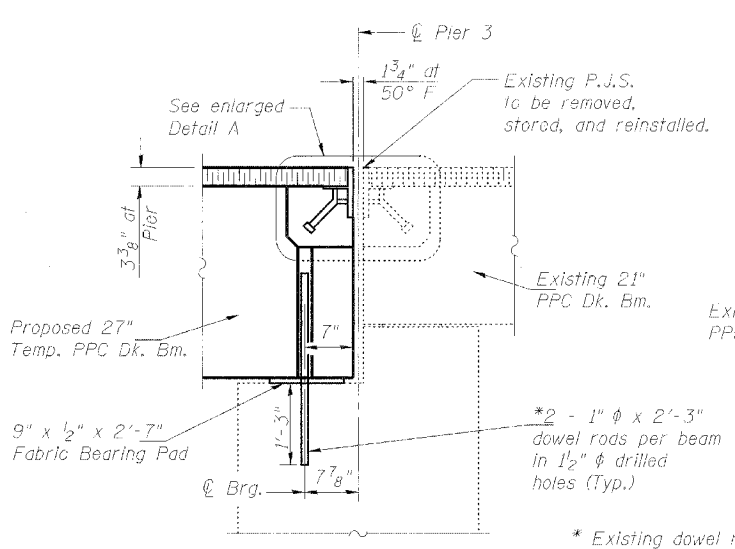
ROUTE NO.	SECTION	COUNTY	TOTAL SHEETS	SHEET NO.
F.A.P. 368	1919 VB-R-1	Cook	47	13
FED. ROAD DIST. NO. 7	ILLINOIS	FED. AID PROJECT JOB		

Contract # 60C11

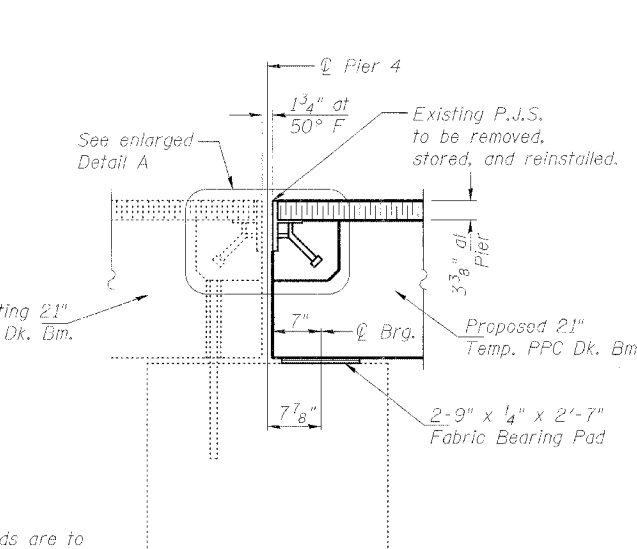
SHEET NO. 1
28 SHEETS



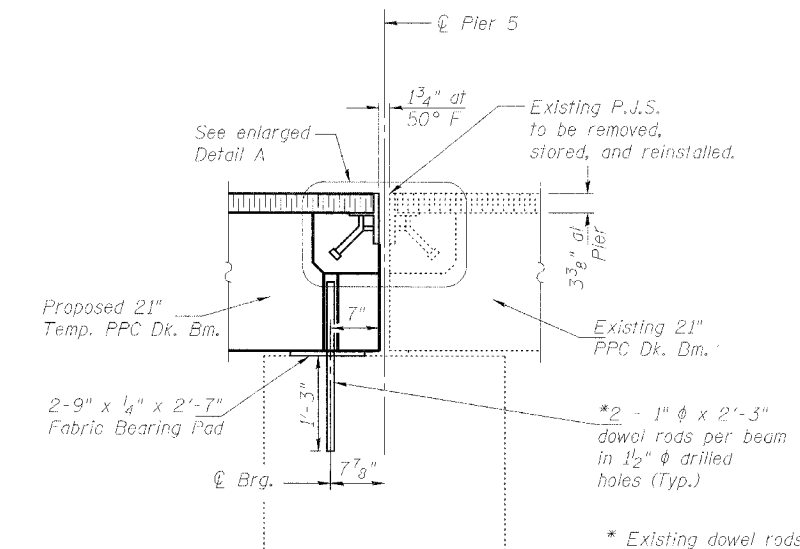
SECTION AT PIER 2
Dimensions at right angle to Pier



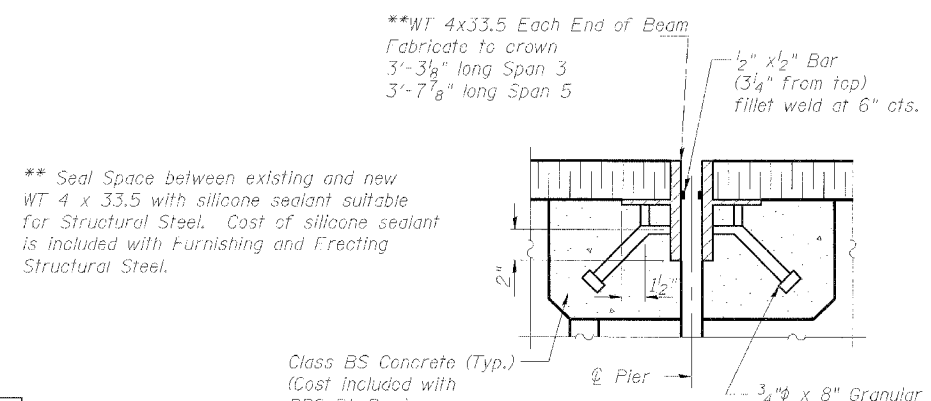
SECTION AT PIER 3
Dimensions at right angle to Pier



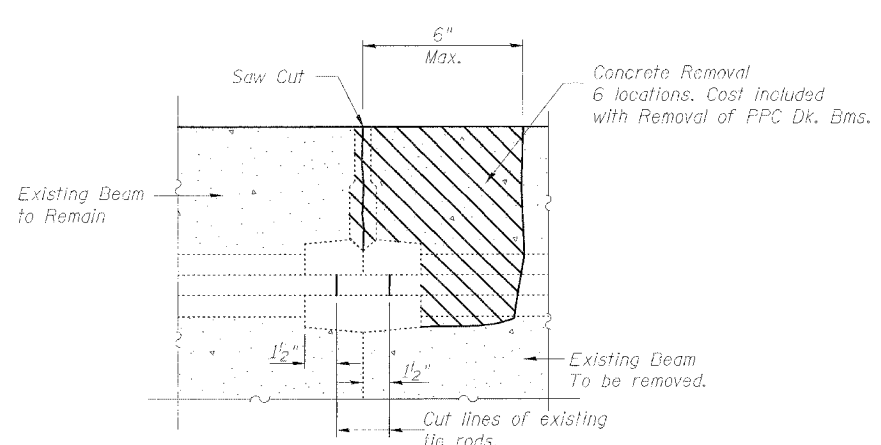
SECTION AT PIER 4
Dimensions at right angle to Pier



SECTION AT PIER 5
Dimensions at right angle to Pier



ENLARGED DETAIL A



DETAIL B

DESIGNED	CDB
CHECKED	LLV
DRAWN	MGM
CHECKED	DDB

WT 4x33.5, 1/2" x 1/2" bar and studs paid for as furnishing and Erecting Structural Steel.

Existing 2 1/2" P.J.S. to be removed, stored and re-installed - (Cost included with PPC Bk Bms)

TEMPORARY BEAMS-PLAN & DETAILS
F.A.P. 368 (PULASKI ROAD)
OVER BRC RAILROAD,
SECTION 1919 VB-R-1,
COOK COUNTY, STA. 17+81.60
STRUCTURE NO. 016-1020

STS CONSULTANTS
111 NE Jefferson Ave.
Peoria, Illinois 61602
Ph: (309) 676-8464
FAX: (309) 676-8445
IL Design Firm Reg. No. 184-001518