

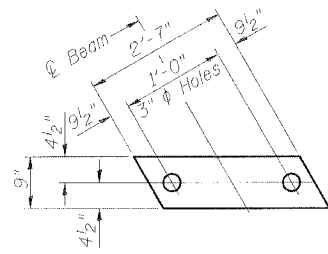
STATE OF ILLINOIS
DEPARTMENT OF TRANSPORTATION

ROUTE NO.	SECTION	COUNTY	TOTAL SHEETS	SHEET NO.	SHEET NO.
F.A.P. 368	1919 VB R 1	Cook	47	14	28 SHEETS
FED. HIGHWAY DIST. NO. 7	ILLINOIS	FED. AID PROJECT 355			

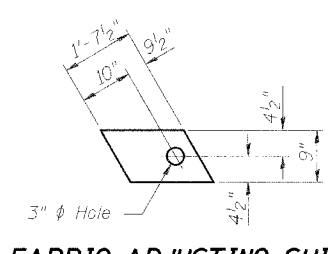
Expected Beam Camber = 1/8"

*0.2 x Length of beam

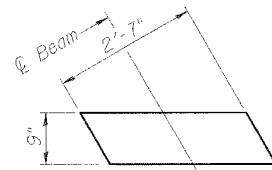
Contract # 60C11



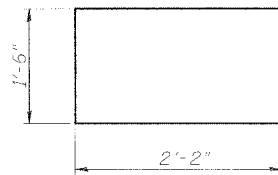
FABRIC BEARING PAD
(Fixed)



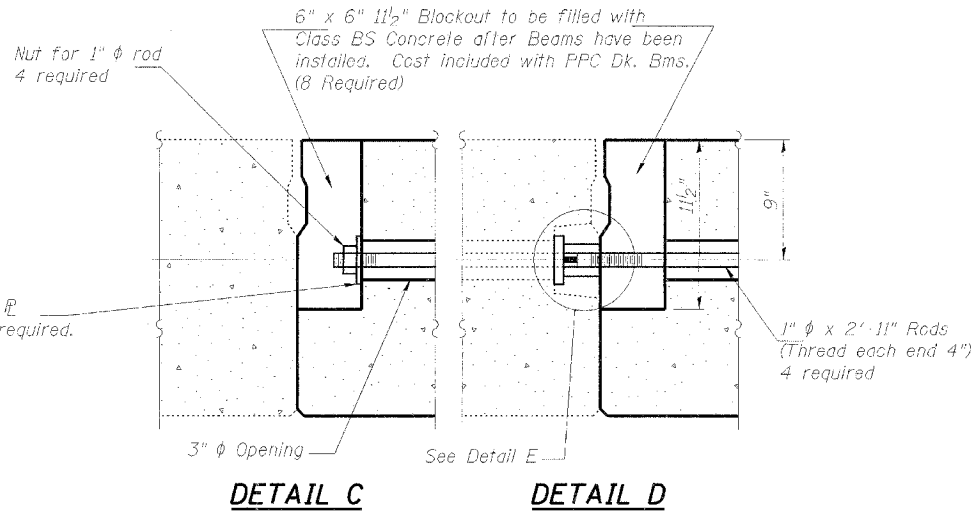
FABRIC ADJUSTING SHIM
(Fixed shown, Expansion similar except without hole)



FABRIC BEARING PAD
(Expansion)

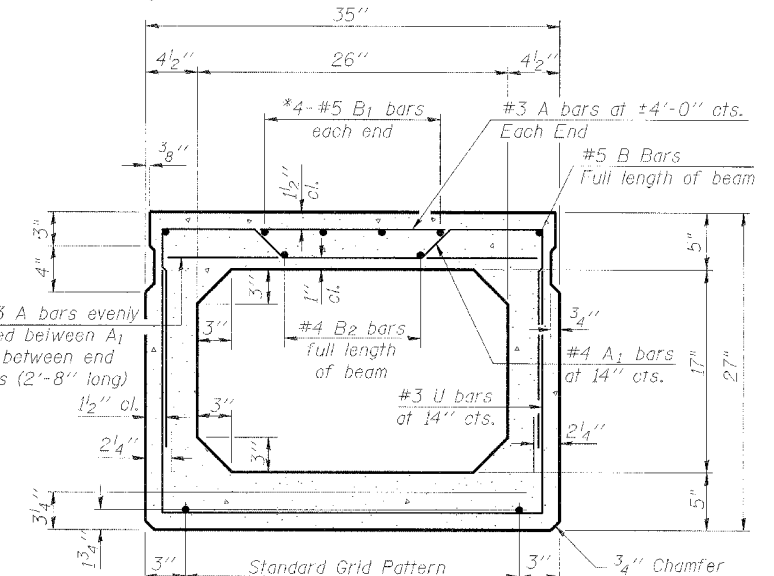


BAR U1



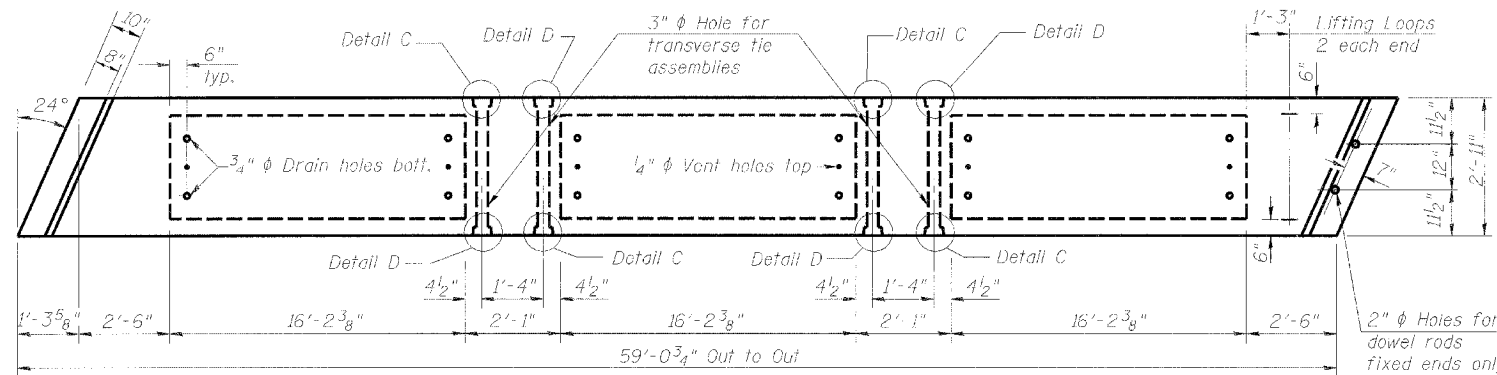
DETAIL C

DETAIL D



TYPICAL SECTION

13 - 1/2" phi Strands, Each Strand Stressed to 30,900 Lbs.
7 - Strands 1 3/4" up, 4 - Strands 3/4" up, 2 - Strands 4 1/2" up
Note: Place strands symmetrically about C of beam.



PLAN

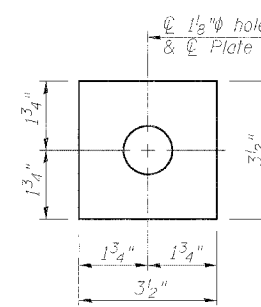
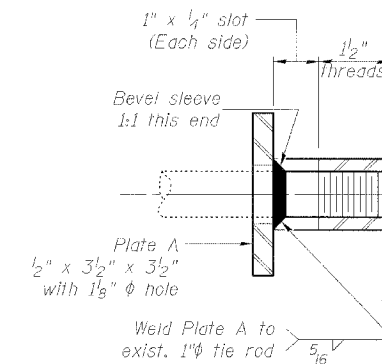
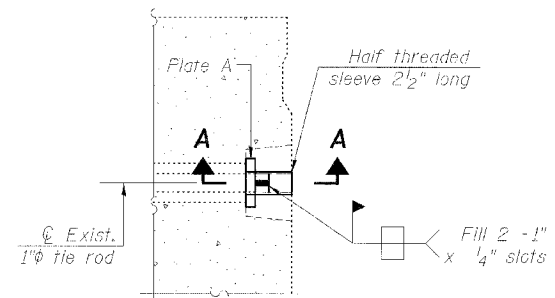


PLATE A
(4 Required)



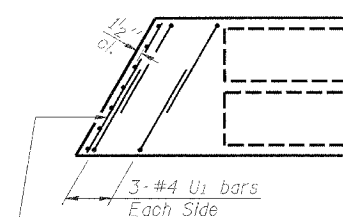
SECTION A-A
(4 Required)



DETAIL E

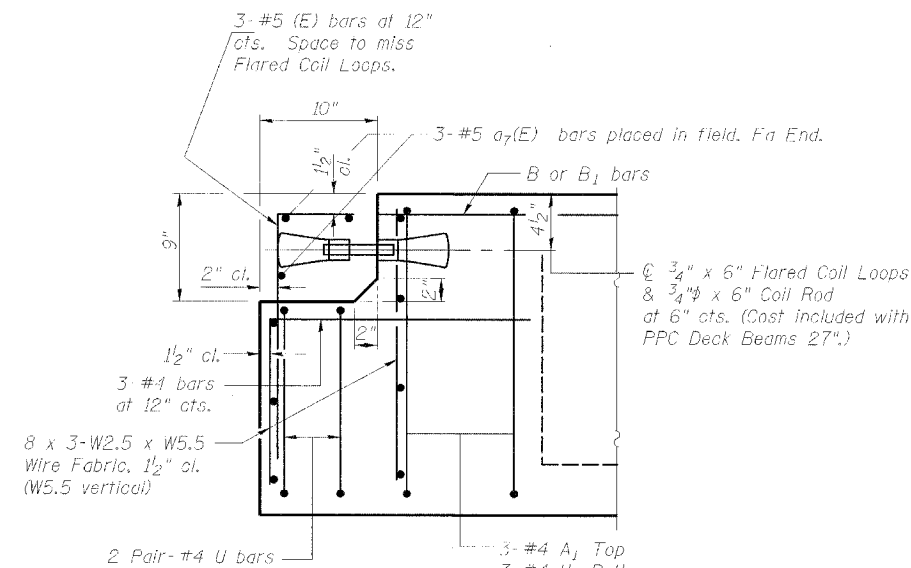
BILL OF MATERIAL

Bar	No.	Size	Length	Shape
a7(E)	6	#5	3'-0"	—
Precast Prestressed Conc. Deck Bms. (27" Depth)		Sq. Ft.	173	
Reinforcing Bars, Epoxy Coated		Pound	20	

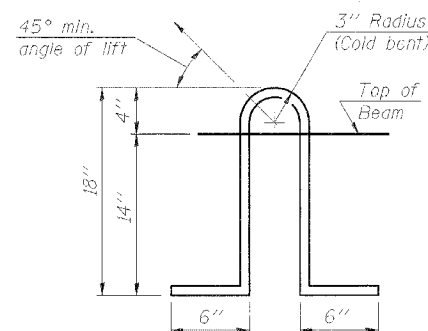


END PLAN

DESIGNED	DDB
CHECKED	LLV
DRAWN	MGM
CHECKED	DDB



END OF BEAM DETAIL - BOTH ENDS



LIFTING LOOP DETAIL

NOTES

Prestressing steel shall be uncoated high strength, low relaxation 7-wire strand, Grade 270. The nominal diameter shall be 1/2" and the nominal cross-sectional area shall be 0.153 sq. in. Lifting loops shall be 2-1/2" phi-270 ksi strands, as shown.
The 1" phi rods in the transverse tie assembly shall be tightened to a snug fit and the threads set. Pockets that receive transverse tie bar on outside shall be filled with grout after transverse tie assembly is in place.
Non prestressing steel shall conform to ASTM A 706 (IL MOD), Grade 60.
The bearing seat surfaces shall be adjusted by shimming to assure firm and even bearing. Two 1/8" fabric adjusting shims of the dimensions of the Exterior Bearing Pad shall be provided for each bearing.
Keyway surfaces shall be cleaned to remove form oil or other bond breaking material prior to shipment of the beams. Cleaning shall be done by sandblasting the keyway areas between top of the beam and the bottom edge of the key.
Required Release Strength, f'ci, shall be 4000 p.s.i.

27" TEMPORARY BEAM-SPAN 3
F.A.P. 368 (PULASKI ROAD)
OVER BRC RAILROAD,
SECTION 1919 VB-R-1,
COOK COUNTY, STA. 17+81.60
STRUCTURE NO. 016-1020

STS CONSULTANTS
111 NE Jefferson Ave.
Peoria, Illinois 61602
Ph: (309) 676-8464
FAX: (309) 676-5445
IL Design Firm Reg. No. 184-001518