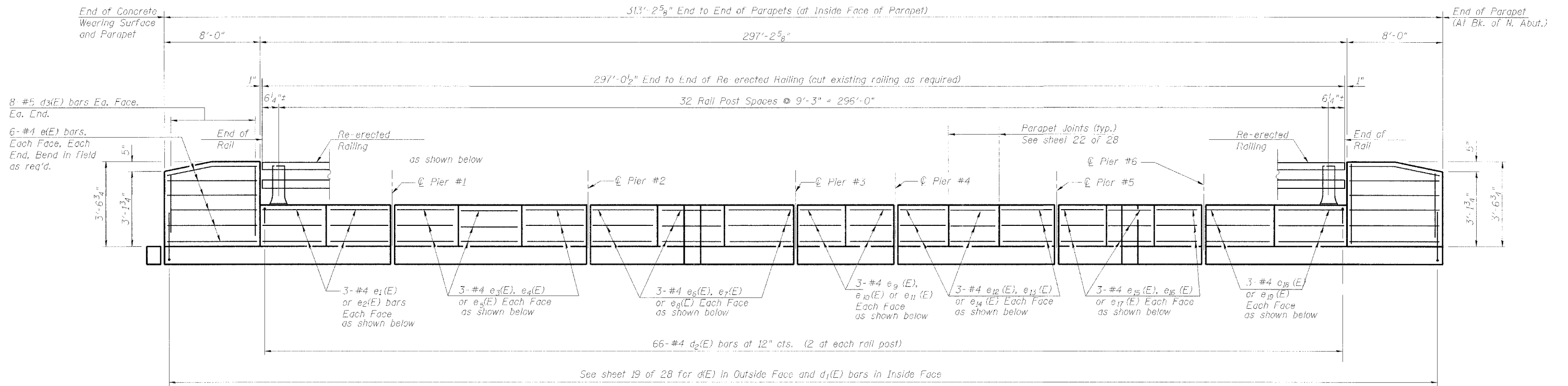
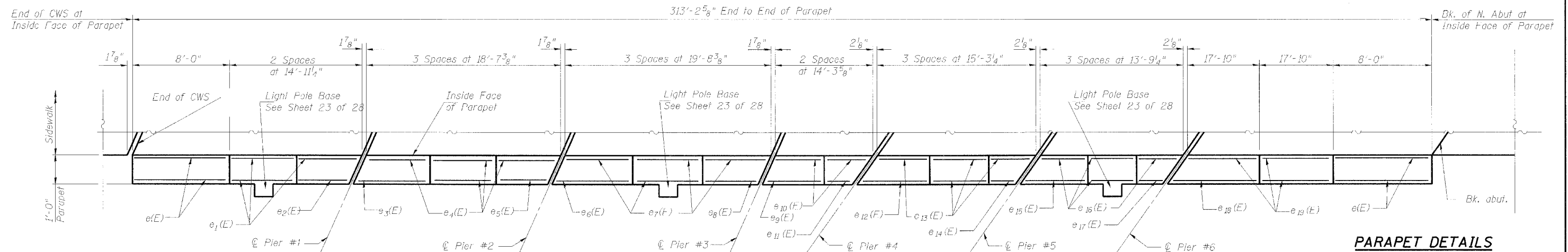


STATE OF ILLINOIS
DEPARTMENT OF TRANSPORTATION

ROUTE NO.	SECTION	COUNTY	TOTAL SHEETS	SHEET NO.
F.A.P. 368	1919 VB-R-1	COOK	47	30
ILLINOIS		FED. AID PROJECT NO.		
Contract # 60C11				



OUTSIDE ELEVATION OF PARAPET
Looking West



PLAN OF PARAPET

DESIGNED	DDB
CHECKED	LLV
DRAWN	MGM
CHECKED	DDB

PARAPET DETAILS
F.A.P. 368 (PULASKI ROAD)
OVER BRC RAILROAD,
SECTION 1919 VB-R-1,
COOK COUNTY, STA. 17+81.60
STRUCTURE NO. 016-1020

STS CONSULTANTS
111 NE Jefferson Ave.
Peoria, Illinois 61602
Ph (309) 676-8464
FAX (309) 676-5445
IL Design Firm Reg. No. 184-001518