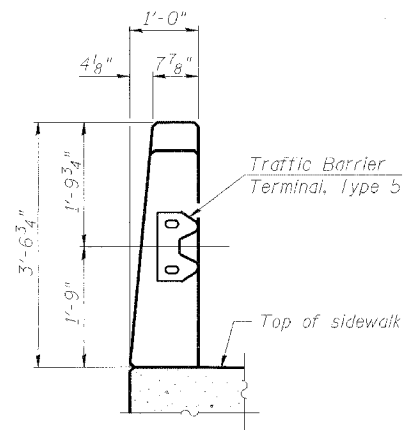


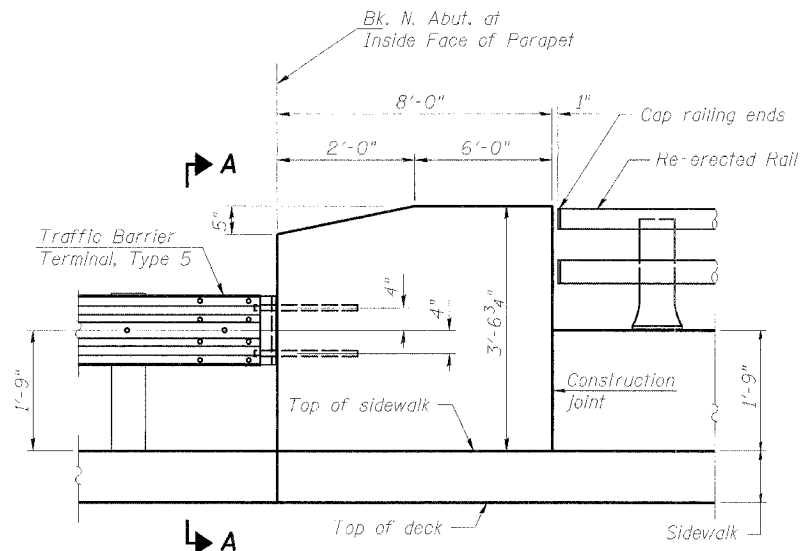
STATE OF ILLINOIS
DEPARTMENT OF TRANSPORTATION

ROUTE NO.	SECTION	CONTRACT	TOTAL SHEETS	SHEET NO.
F.A.P. 368	1919 VB-R-1	Cook	47	31
FED. ROAD DIST. NO. 7	ILLINOIS	FED. AID PROJECT -		

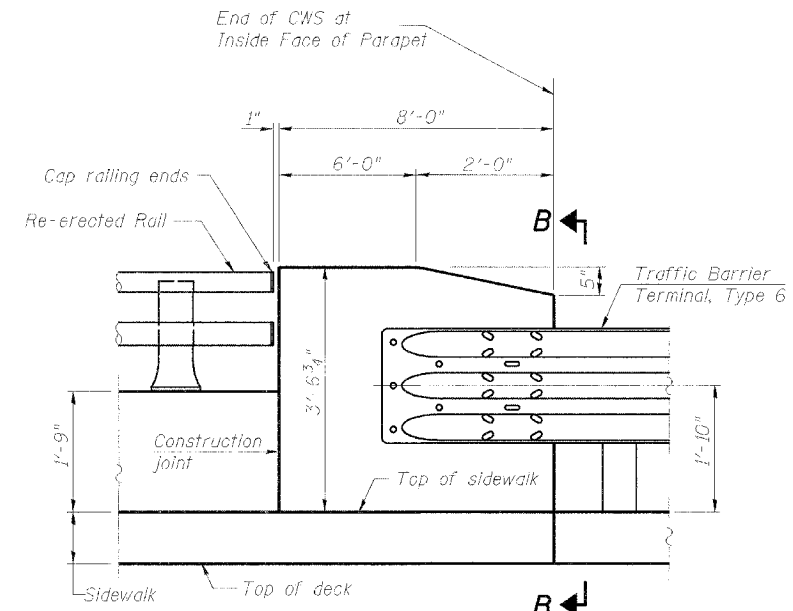
Contract # 60C11



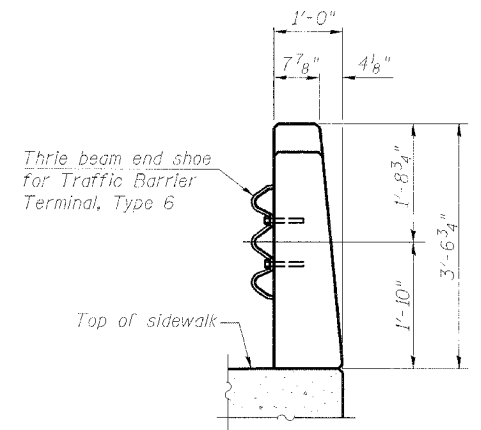
SECTION A-A



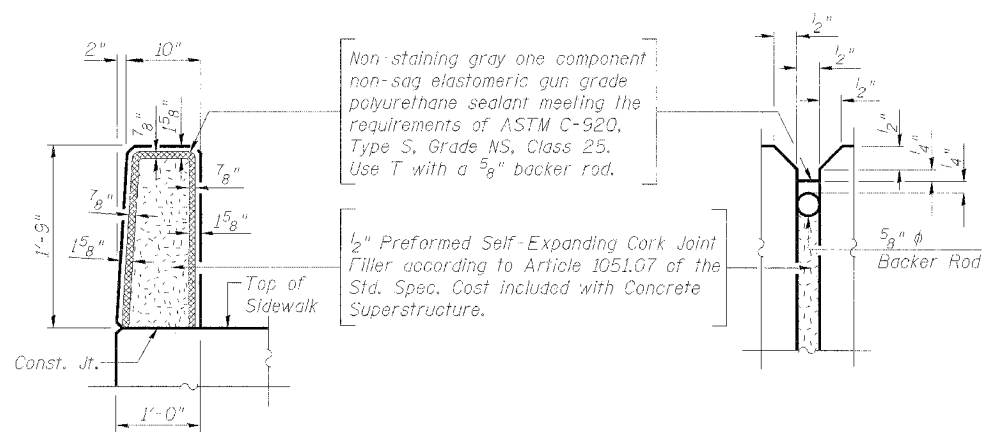
INSIDE ELEVATION OF PARAPET AT NE CORNER
(Looking East)



INSIDE ELEVATION OF PARAPET AT SE CORNER
(Looking East)



SECTION B-B



PARAPET JOINT DETAILS

DESIGNED	DDB
CHECKED	LLV
DRAWN	MGM
CHECKED	DDB

PARAPET DETAILS
F.A.P. 368 (PULASKI ROAD)
OVER BRC RAILROAD,
SECTION 1919 VB-R-1,
COOK COUNTY, STA. 17+81.60
STRUCTURE NO. 016-1020

STS Consultants
111 NE Jefferson Ave.
Peoria, Illinois 61602
Ph(309)676-8464
FAX(309)676-6445
IL Design Firm Reg. No. 184-001518

DATE PLOTTED: 08/26/2007 1:34:27 PM