

STATE OF ILLINOIS
DEPARTMENT OF TRANSPORTATION

**SUPERSTRUCTURE -
BILL OF MATERIAL**

Includes Sheets 18 to 23 of 28

Bar	No.	Size	Length	Shape
a(E)	156	#4	17'-5"	U
a1(E)	170	#4	19'-5"	U
a2(E)	156	#4	13'-7"	U
a3(E)	166	#4	15'-2"	U
a4(E)	320	#4	6'-8"	U
a5(E)	9	#4	7'-4"	U
a6(E)	7	#4	8'-3"	U
b(E)	58	#4	19'-5"	U
b1(E)	58	#4	28'-5"	U
b2(E)	58	#4	30'-1"	U
b3(E)	58	#4	23'-5"	U
b4(E)	58	#4	21'-2"	U
b5(E)	58	#4	21'-3"	U
b6(E)	32	#4	19'-3"	U
b7(E)	26	#4	17'-2"	U
b8(E)	28	#4	19'-5"	U
b9(E)	28	#4	28'-5"	U
b10(E)	28	#4	30'-1"	U
b11(E)	18	#4	15'-7"	U
b12(E)	28	#4	23'-5"	U
b13(E)	56	#4	22'-4"	U
b14(E)	10	#4	19'-7"	U

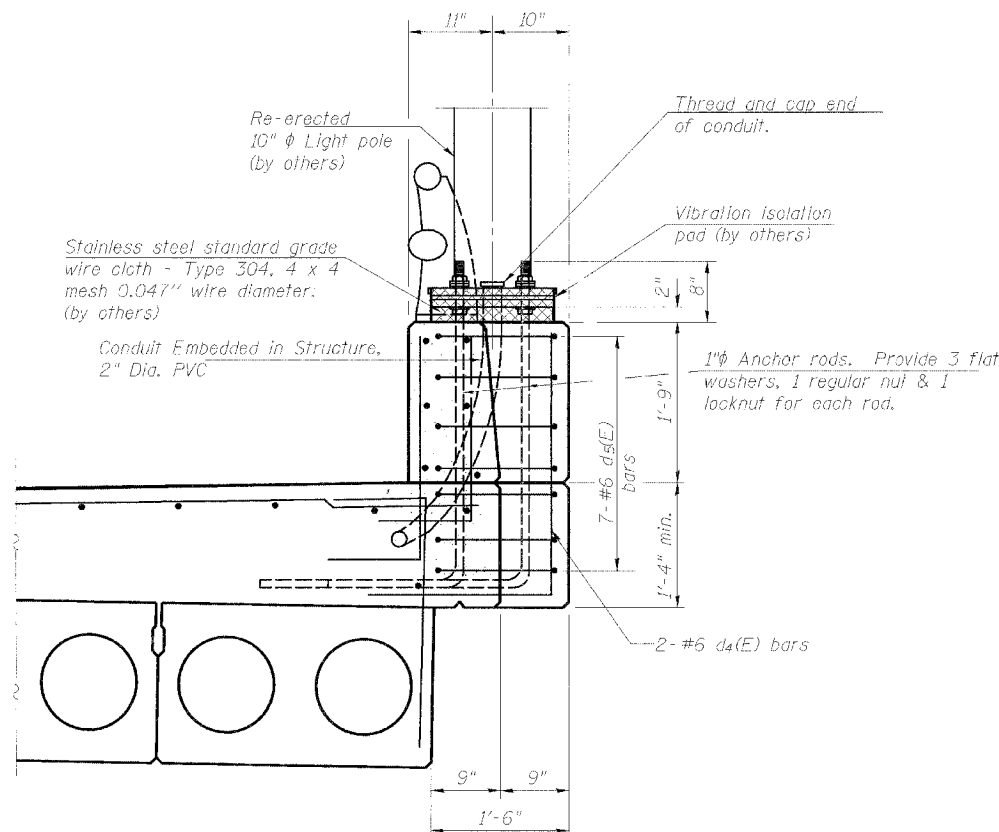
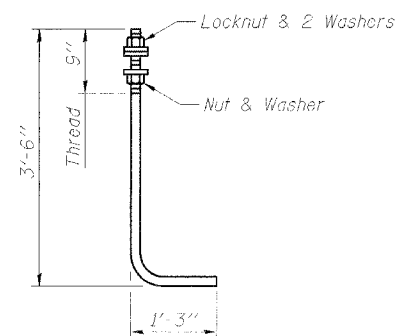
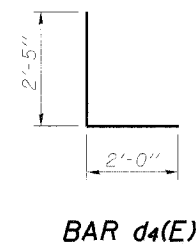
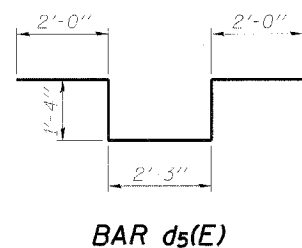
SUPERSTRUCTURE - BILL OF MATERIAL CONTINUED

c(E)	322	#4	3'-3"	U
c1(E)	9	#4	3'-6"	U
c2(E)	7	#4	3'-9"	U
d(F)	318	#4	3'-5"	U
d1(E)	314	#6	3'-5"	U
d2(E)	66	#4	2'-0"	U
d3(E)	32	#5	2'-11"	U
d4(E)	6	#6	4'-5"	U
d5(E)	21	#6	8'-11"	U
e(E)	24	#4	7'-8"	U
e1(F)	9	#4	14'-7"	U
e2(E)	3	#4	14'-3"	U
e3(E)	3	#4	18'-7"	U
e4(E)	12	#4	18'-3"	U
e5(E)	3	#4	17'-11"	U
e6(E)	3	#4	19'-8"	U
e7(E)	12	#4	19'-4"	U
e8(E)	3	#4	19'-0"	U
e9(F)	3	#4	14'-4"	U
e10(F)	6	#4	14'-0"	U
e11(E)	3	#4	13'-6"	U
e12(F)	3	#4	15'-5"	U
e13(E)	12	#4	14'-11"	U
e14(E)	3	#4	14'-3"	U
e15(E)	3	#4	13'-11"	U
e16(E)	12	#4	13'-5"	U
e17(E)	3	#4	12'-11"	U
e18(E)	3	#4	18'-0"	U
e19(E)	9	#4	17'-6"	U
h(E)	6	#5	20'-3"	U
h1(E)	6	#5	19'-3"	U
Reinforcement Bars, Epoxy Coated	Pound		23,070	
Concrete Superstructure	Cu. Yds.		160.1	
Concrete Wearing Surface, 5"	Sq. Yd.		981	
Preformed Joint Seal, 1 3/4"	Foot		324	
Conduit Embedded in Structure, 2" Dia. PVC	Foot		332	

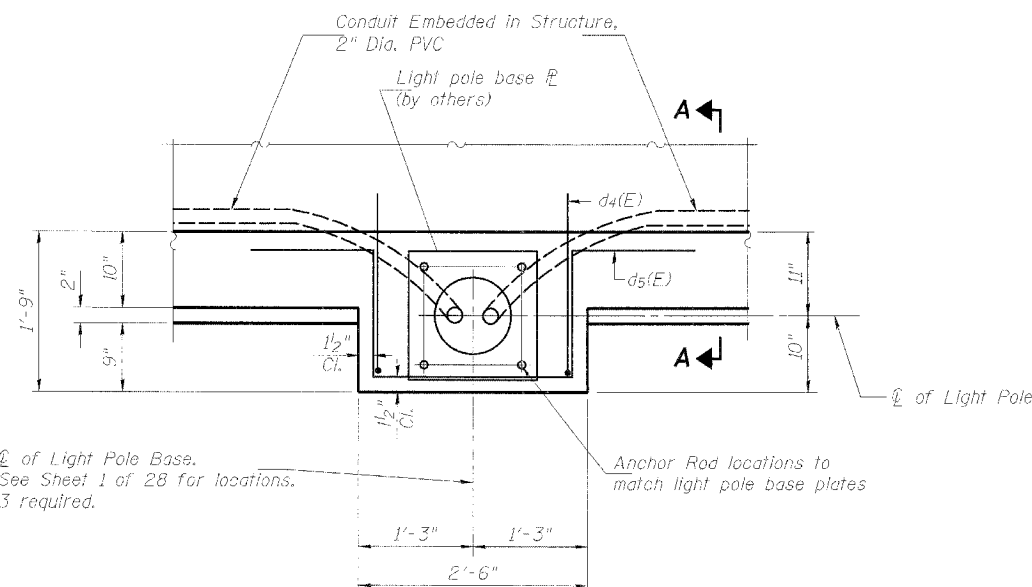
Bars indicated thus 1 x 2 - #5 etc. indicates 1 line of bars with 2 lengths per line.

Notes:
Cost of anchor rods and conduit is included with Concrete Superstructure.

See Sheet 1 of 28 for locations of Light Pole Bases. Three required.



SECTION A-A



PLAN

DESIGNED	DDB
CHECKED	LLV
DRAWN	MGM
CHECKED	DDB

LIGHT POLE BASES
F.A.P. 368 (PULASKI ROAD)
OVER BRC RAILROAD,
SECTION 1919 VB-R-1,
COOK COUNTY, STA. 17+81.60
STRUCTURE NO. 016-1020

STS Consultants
111 NE Jefferson Ave.
Peoria, Illinois 61602
Ph(309)676-8464
FAX(309)676-5445
IL Design Firm Reg. No. 184-001518