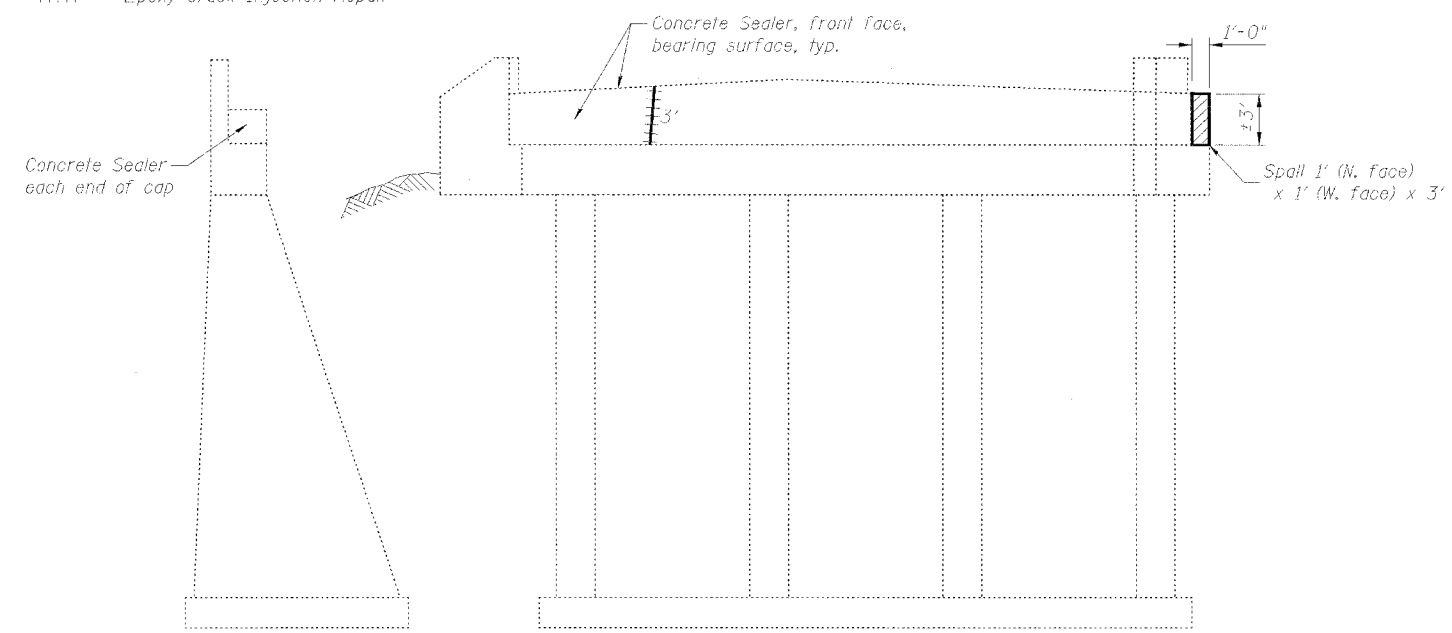


Contract # 60C11

STATE OF ILLINOIS
DEPARTMENT OF TRANSPORTATION

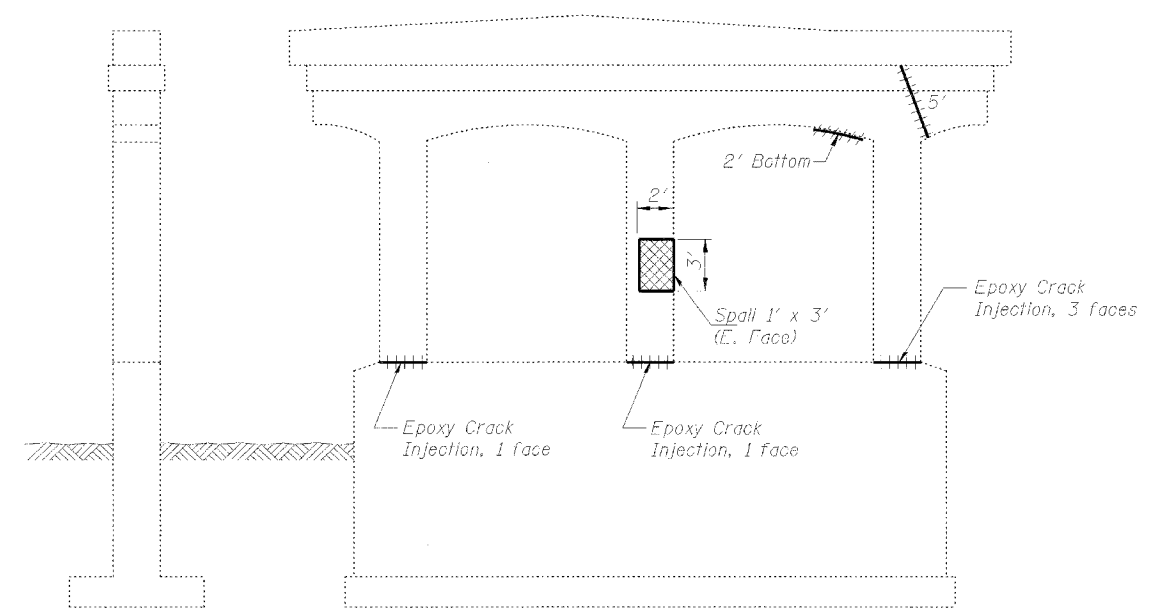
LEGEND

- Structural Repair of Concrete (Depth Equal to or Less than 5")
- Structural Repair of Concrete (Depth Greater than 5")
- Epoxy Crack Injection Repair



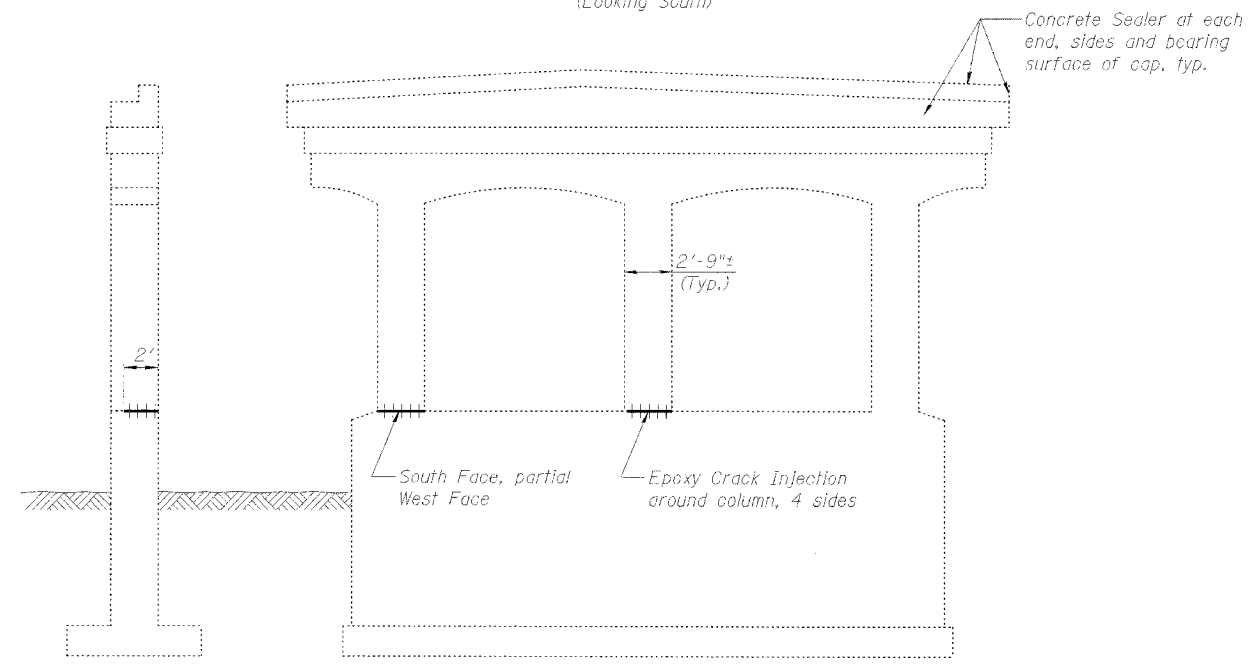
EAST ELEVATION

SOUTH ABUTMENT
(Looking South)



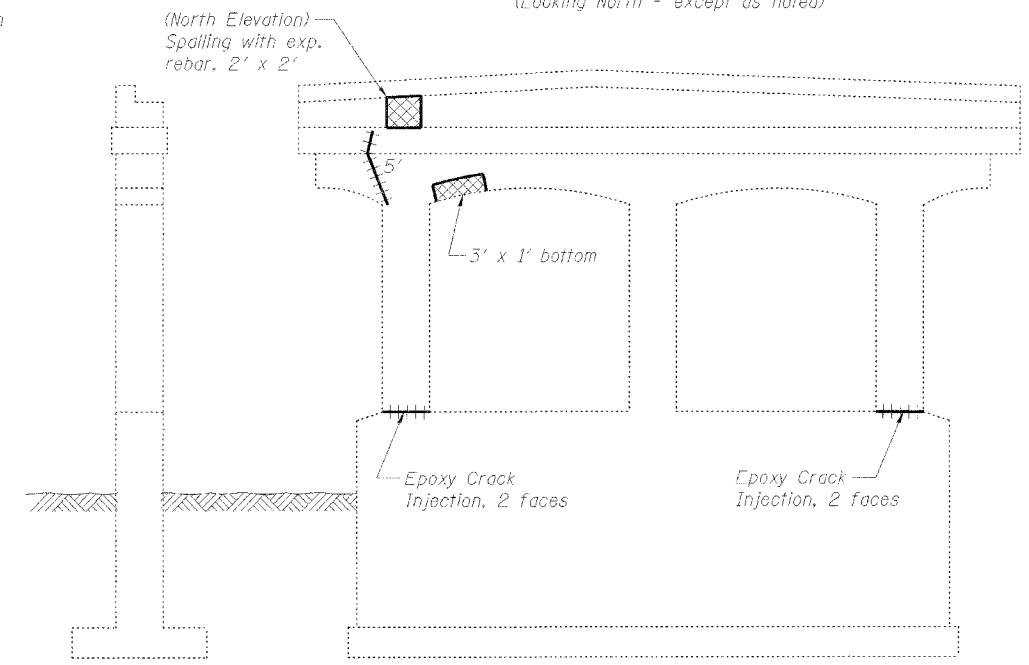
WEST ELEVATION

PIER 2
(Looking North - except as noted)



WEST ELEVATION

PIER 1
(Looking North)



WEST ELEVATION

PIER 3
(Looking South)

DESIGNED	DDB
CHECKED	LLV
DRAWN	MGH
CHECKED	DDB

Note:
Do not apply Concrete Sealer until all other concrete repairs have been completed.

BILL OF MATERIAL - THIS SHEET

Item	Unit	Quantity
Structural Repair of Concrete (Depth Greater Than 5")	Sq. Ft.	16
Structural Repair of Concrete (Depth Equal to or Less Than 5")	Sq. Ft.	6
Epoxy Crack Injection	Foot	56
Concrete Sealer	Sq. Ft.	1,110

SUBSTRUCTURE REPAIRS
F.A.P. 368 (PULASKI ROAD)
OVER BRC RAILROAD,
SECTION 1919 VB-R-1,
COOK COUNTY, STA. 17+81.60
STRUCTURE NO. 016-1020

STS Consultants
111 NE Jefferson Ave.
Peoria, Illinois 61602
Ph(309)676-8464
FAX(309)676-5445
IL Design Firm Reg. No. 184-001518