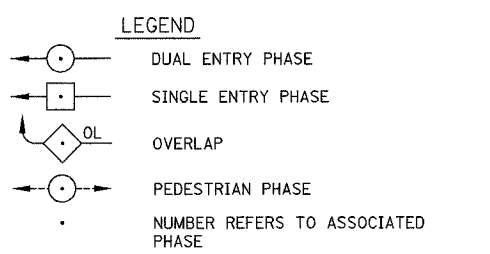
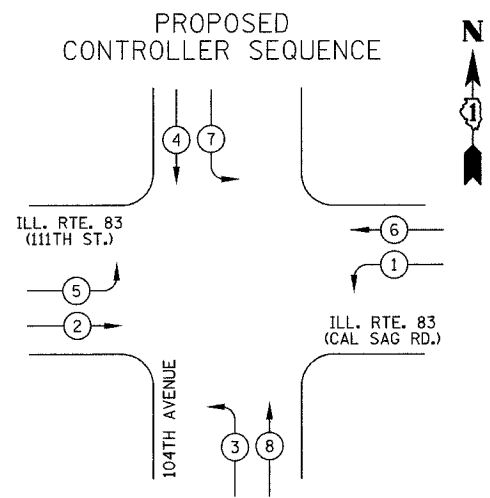
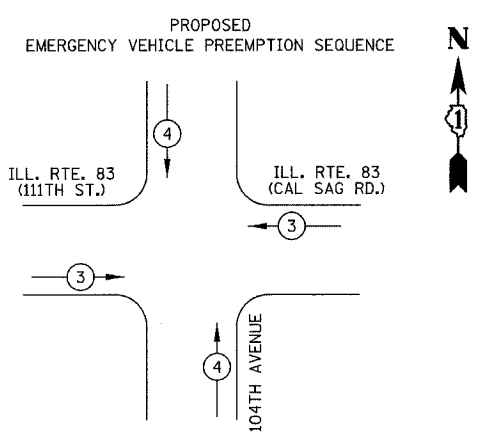


F.A.P. RTE.	SECTION	COUNTY	TOTAL SHEETS	SHEET NO.
344	2007-036 TS	COOK	13	11
STA.		TO STA.		
FED. ROAD DIST. NO. 7		ILLINOIS FED. AID PROJECT		



PHASE DESIGNATION DIAGRAM



PROPOSED EMERGENCY VEHICLE PREEMPTORS		
EMERGENCY VEHICLE PREEMPTOR	3	4
MOVEMENT	← →	↑ ↓

SCHEDULE OF QUANTITIES		
PAY ITEM	UNIT	QUANTITY
PAVEMENT REPLACEMENT	SQ YD	4
MOBILIZATION	L SUM	1
TRAFFIC CONTROL AND PROTECTION, STANDARD 701701	L SUM	1
SIGN PANEL - TYPE 1	SQ FT	13.5
SIGN PANEL - TYPE 2	SQ FT	50
CONDUIT IN TRENCH, 2" DIA., GALVANIZED STEEL	FOOT	1,704
CONDUIT IN TRENCH, 2 1/2" DIA., GALVANIZED STEEL	FOOT	92
CONDUIT IN TRENCH, 4" DIA., GALVANIZED STEEL	FOOT	91
CONDUIT PUSHED, 2" DIA., GALVANIZED STEEL	FOOT	45
CONDUIT PUSHED, 4" DIA., GALVANIZED STEEL	FOOT	216
CONDUIT SPLICE	EACH	2
HANDHOLE	EACH	3
HEAVY-DUTY HANDHOLE	EACH	9
DOUBLE HANDHOLE	EACH	1
TRENCH AND BACKFILL FOR ELECTRICAL WORK	FOOT	1,882
MAINTENANCE OF EXISTING TRAFFIC SIGNAL INSTALLATION	EACH	1
FULL-ACTUATED CONTROLLER AND TYPE IV CABINET	EACH	1
* ELECTRIC CABLE IN CONDUIT, SIGNAL NO. 14 3C	FOOT	314
* ELECTRIC CABLE IN CONDUIT, SIGNAL NO. 14 5C	FOOT	824
* ELECTRIC CABLE IN CONDUIT, SIGNAL NO. 14 7C	FOOT	1,528
* ELECTRIC CABLE IN CONDUIT, LEAD-IN NO. 14 1 PAIR	FOOT	2,093
* ELECTRIC CABLE IN CONDUIT, SERVICE, NO. 6 2C	FOOT	1,188
TRAFFIC SIGNAL POST, GALVANIZED STEEL, 16 FT.	EACH	2
STEEL MAST ARM ASSEMBLY AND POLE, 28 FT.	EACH	1
STEEL MAST ARM ASSEMBLY AND POLE, 36 FT.	EACH	1
STEEL MAST ARM ASSEMBLY AND POLE, 50 FT.	EACH	1
STEEL MAST ARM ASSEMBLY AND POLE, 52 FT.	EACH	1
CONCRETE FOUNDATION, TYPE A	FOOT	12
CONCRETE FOUNDATION, TYPE C	FOOT	4
CONCRETE FOUNDATION, TYPE E 30-INCH DIAMETER	FOOT	30
CONCRETE FOUNDATION, TYPE E 36-INCH DIAMETER	FOOT	30
SIGNAL HEAD, L.E.D., 1-FACE, 3-SECTION, MAST ARM MOUNTED	EACH	4
SIGNAL HEAD, L.E.D., 1-FACE, 5-SECTION, BRACKET MOUNTED	EACH	4
SIGNAL HEAD, L.E.D., 1-FACE, 5-SECTION, MAST ARM MOUNTED	EACH	4
TRAFFIC SIGNAL BACKPLATE, LOUVERED, ALUMINUM	EACH	8
INDUCTIVE LOOP DETECTOR	EACH	8
DETECTOR LOOP, TYPE I	FOOT	480
* LIGHT DETECTOR	EACH	2
* LIGHT DETECTOR AMPLIFIER	EACH	1
REMOVE EXISTING TRAFFIC SIGNAL EQUIPMENT	EACH	1
REMOVE EXISTING HANDHOLE	EACH	5
REMOVE EXISTING CONCRETE FOUNDATION	EACH	4
TEMPORARY INFORMATION SIGNING	SQ FT	102.8
SERVICE INSTALLATION, GROUND MOUNT	EACH	1
SERVICE INSTALLATION, POLE MOUNT	EACH	1
UNINTERRUPTIBLE POWER SUPPLY	EACH	1
* ELECTRIC CABLE IN CONDUIT, GROUNDING, NO. 6 1C	FOOT	1,599
* ELECTRIC CABLE IN CONDUIT, NO. 20 3/C, TWISTED, SHIELDED	FOOT	314

* 100% COST TO PALOS FIRE PROTECTION DISTRICT

REVISIONS	
NAME	DATE

ILLINOIS DEPARTMENT OF TRANSPORTATION
 EMERGENCY VEHICLE PREEMPTION SEQUENCE,
 PHASE DESIGNATION DIAGRAM &
 SCHEDULE OF QUANTITIES
 ILL. RTE. 83 (CAL SAG RD./111TH ST.)
 & 104TH AV.
 SCALE: NOT TO SCALE
 DATE: 8/10/2007
 DRAWN BY: CEC
 DESIGNED BY: BRD
 CHECKED BY: JJE