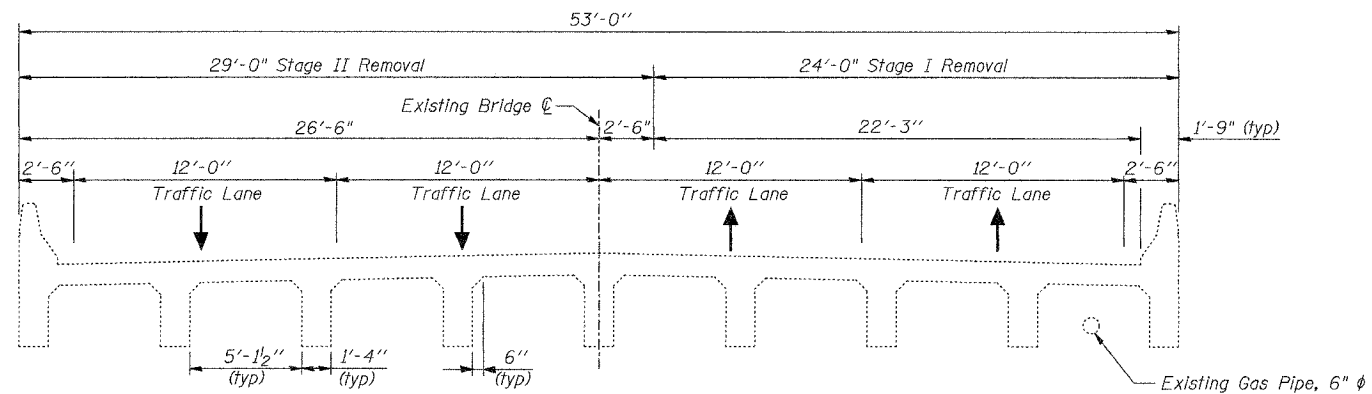
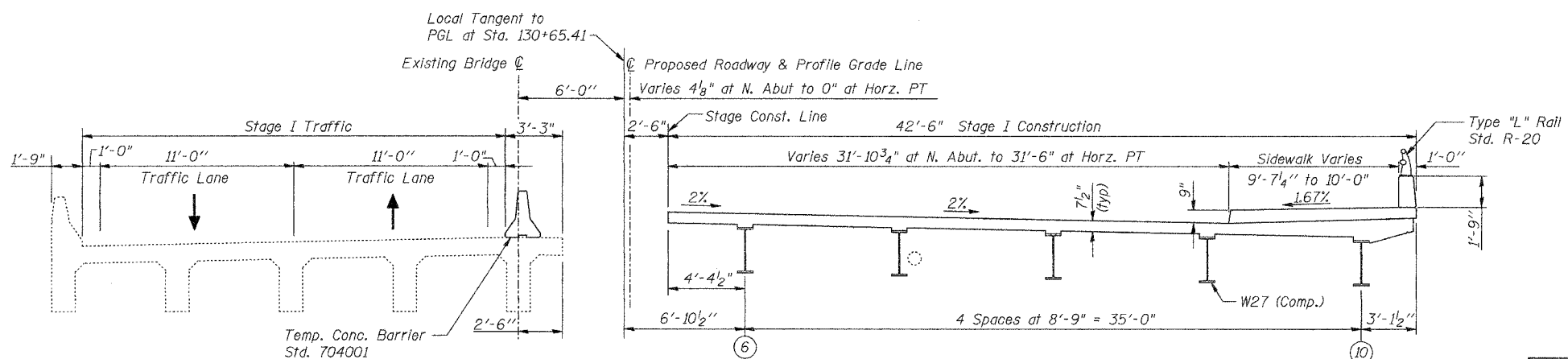


| F.A.P. RTE.         | SECTION | COUNTY                    | TOTAL SHEETS | SHEET NO. |
|---------------------|---------|---------------------------|--------------|-----------|
| 374                 | G-B-I-1 | COOK                      | 15           | 5         |
| STA.                |         | TO STA.                   |              |           |
| FED. ROAD DIST. NO. |         | ILLINOIS FED. AID PROJECT |              |           |

CONTRACT NO. 60D59

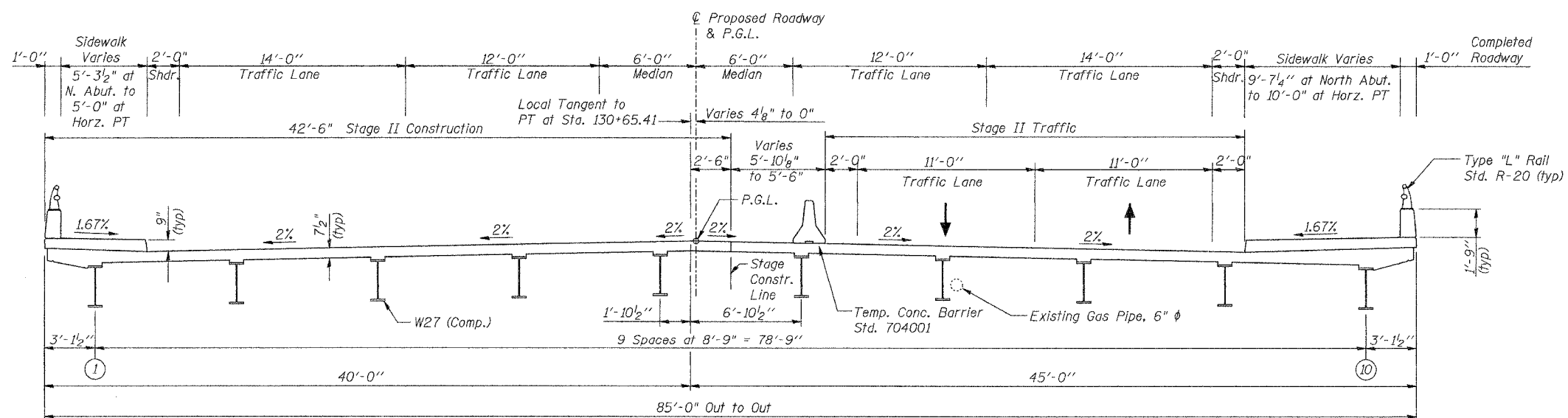


**EXISTING BRIDGE CROSS SECTION**  
(Looking South)



**STAGE I CONSTRUCTION**  
(Looking South)  
(Horizontal Dimensions at Right L's to Local Tangent Line)

FOR INFORMATION ONLY



**STAGE II CONSTRUCTION AND PROPOSED BRIDGE CROSS SECTION**  
(Looking South)  
(Horizontal Dimensions at Right L's to Local Tangent Line)

| REVISIONS |      |
|-----------|------|
| NAME      | DATE |
|           |      |
|           |      |
|           |      |
|           |      |
|           |      |
|           |      |
|           |      |

ILLINOIS DEPARTMENT OF TRANSPORTATION  
ILLINOIS ROUTE 21  
MILWAUKEE AVE. OVER DES PLAINES RIVER  
F.A.P. ROUTE 374 SECTION G-B-I-1  
COOK COUNTY, SN 016-6566

STAGE CONSTRUCTION SECTIONS

DESIGN BY: AWH DRAWN BY: AWH

DATE: 8/29/07 CHECKED BY: JAN CHECKED BY: JAN

