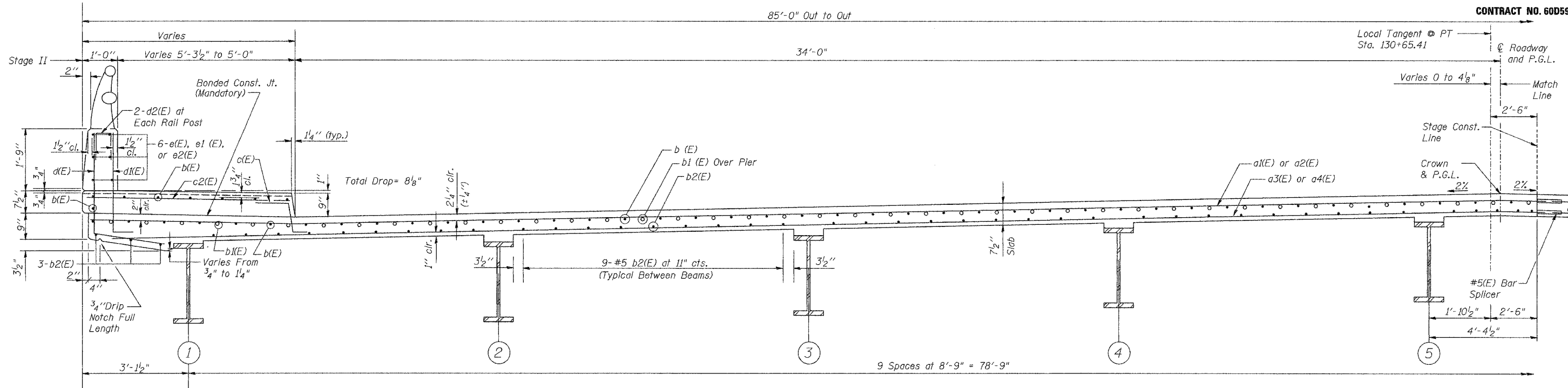
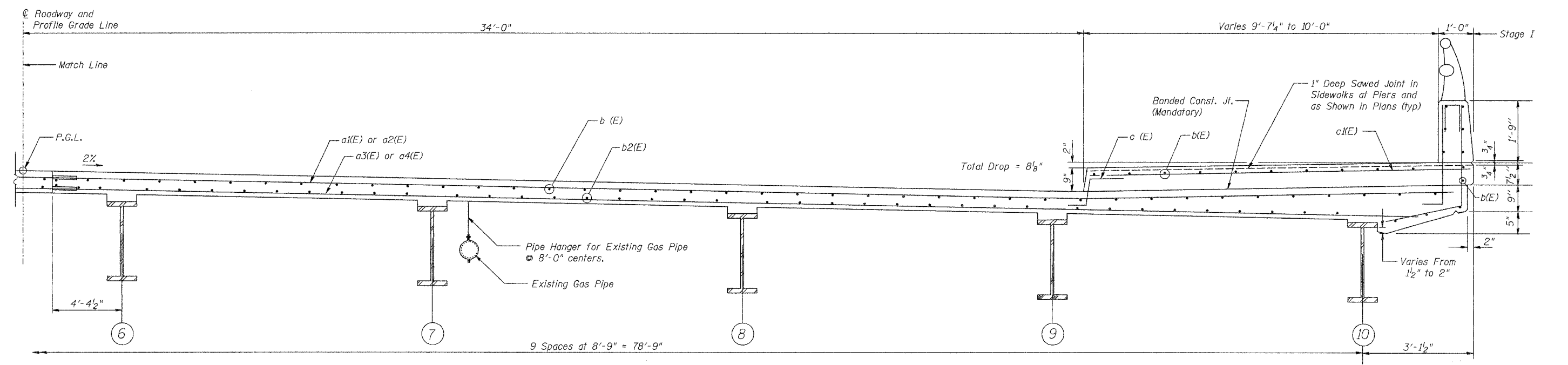


F.A.P. RTE.	SECTION	COUNTY	TOTAL SHEETS	SHEET NO.
374	G-B-I-1	COOK	15	11
STA.	TO STA.			
FED. ROAD DIST. NO.	ILLINOIS	FED. AID PROJECT		

CONTRACT NO. 60D59



Near Pier



Near Midspan

FOR INFORMATION ONLY

CROSS SECTION
Looking South

REVISIONS	
NAME	DATE

STV Incorporated
 Engineers/Architects/Planners/Construction Managers
 200 W. Monroe Street, Suite 1650
 Chicago, IL 60606-5015
 312/353-4655, FAX 312/593-0661

ILLINOIS DEPARTMENT OF TRANSPORTATION
 ILLINOIS ROUTE 21
 MILWAUKEE AVE. OVER DES PLAINES RIVER
 F.A.P. ROUTE 374 SECTION G-B-I-1
 COOK COUNTY, SN 016-6566
DECK CROSS SECTION
 DESIGN BY: BTO DRAWN BY: BTO
 DATE: 8/29/07 CHECKED BY: JAN CHECKED BY: JAN

STREET PHOTOGRAPHY: JAMES HUNTER, 8/28/2007, 1:07:15 PM