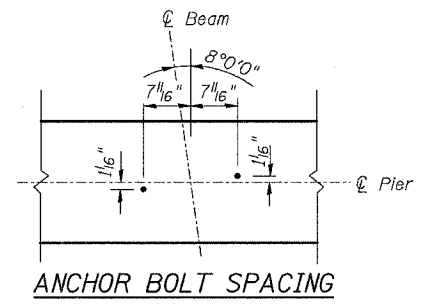
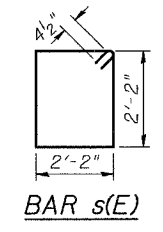
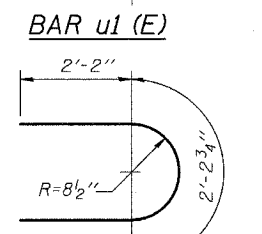
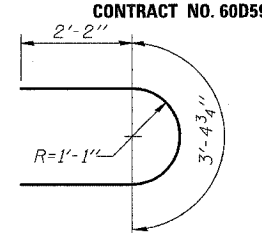
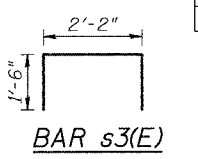
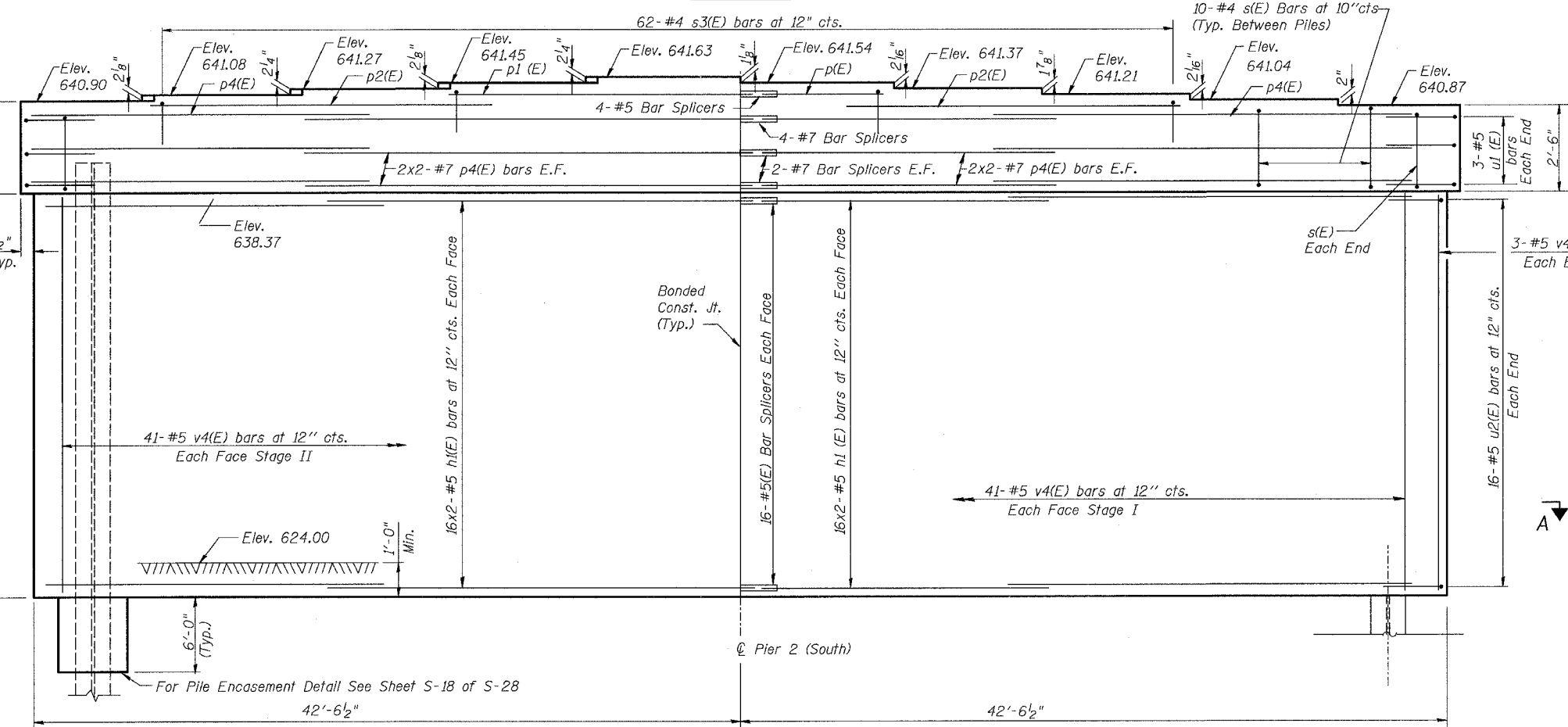
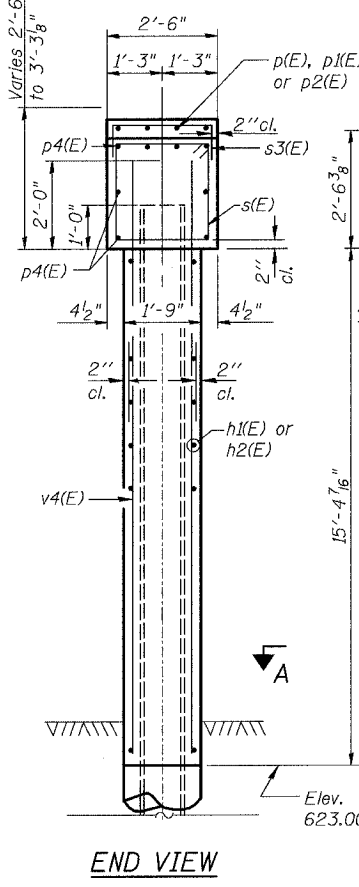
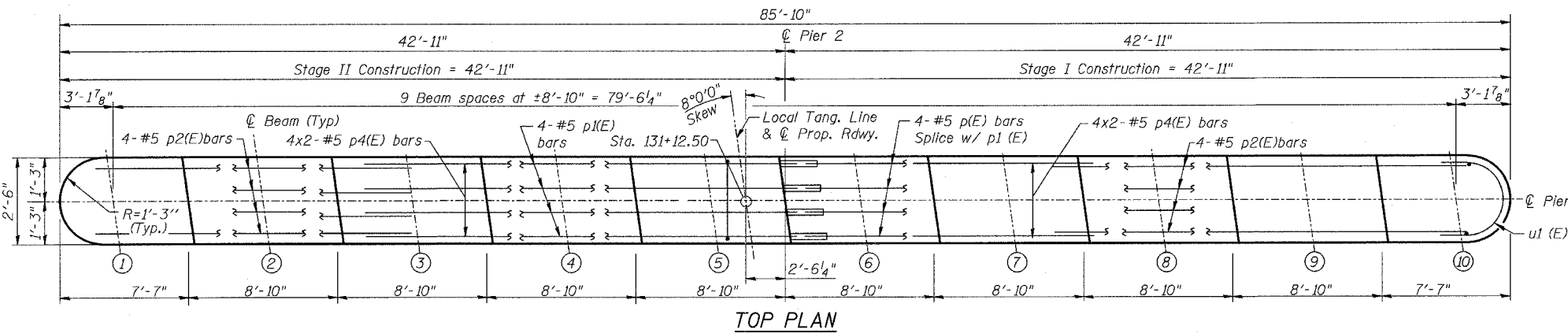


F.A.P. RTE.	SECTION	COUNTY	TOTAL SHEETS	SHEET NO.
374	G-B-I-1	COOK	15	15D
STA.	TO STA.			
FED. ROAD DIST. NO.	ILLINOIS	FED. AID PROJECT		

CONTRACT NO. 60D59

Notes:
 All edges shall have standard 3/4" chamfer except as noted.
 Space reinforcement in cap to miss anchor bolts.
 Pour steps monolithically with cap.
 Minimum Rebar Splice Length:
 #5 - 2'-2"
 #7 - 3'-5"
 Bars indicated thus 16x2-#5 h1(E) etc., indicates 16 lines of bars 2 lengths per line.



BILL OF MATERIAL

Bar	No.	Size	Length	Shape
h1(E)	128	#5	21'-11"	—
p(E)	4	#5	8'-6"	—
p1(E)	4	#5	17'-4"	—
p2(E)	8	#5	19'-10"	—
p4(E)	32	#7	22'-6"	—
s(E)	92	#4	9'-5"	□
s3(E)	62	#4	5'-2"	□
u1(E)	6	#5	7'-9"	⌋
u2(E)	32	#5	6'-7"	⌋
v4(E)	170	#5	17'-3"	—
Reinforcement Bars, Epoxy Coated		Pound	8800	
Concrete Structures		Cu. Yd.	113.5	
Test Piles Steel HP 10x42		Each	1	
Furnishing Steel Piles HP 10x42		Feet	765	
Driving Steel Piles HP 10x42		Feet	765	
Metal Shoes		Each	15	
Underwater Structure Excavation Protection		Each	1	
Structure Excavation		Cu. Yd.	32	

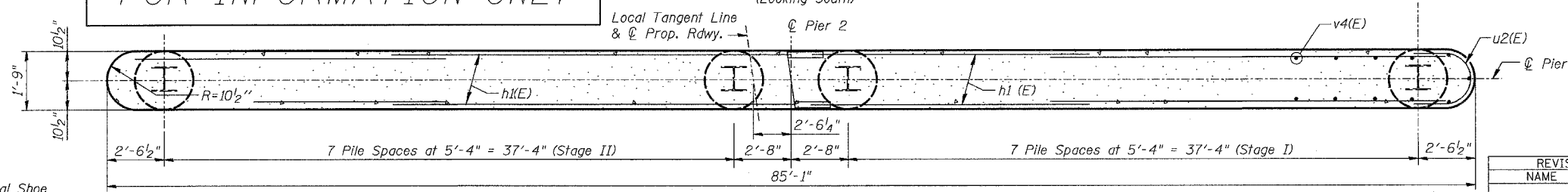
Reinforcement bars designated (E) shall be epoxy coated.

FOR INFORMATION ONLY

PILE DATA
 Type: Steel HP 10x42 with Metal Shoe
 Capacity: 55 Tons
 Driven to 83 Ton Bearing
 Est. Length: 51 Feet
 No. Required: 15 Plus 1 Test Pile

NOTE:
 Forms shall be placed below Elev. 623.00 after excavation for pier walls. Reinforcement and Class SI Concrete Encasement shall be placed underwater into forms. The cost of class SI Concrete Encasement, reinforcement, form excavation, and furnishing and placing forms is incidental to furnishing piles. If a portion of the pier wall is underwater, Class SI Concrete shall be tremied underwater into the forms in accordance with Article 503.08(a) of the Standard Specifications. Concrete shall be tremied to an elevation 12" above the water level at the time of construction.

SECTION A-A



REVISIONS	NAME	DATE

ILLINOIS DEPARTMENT OF TRANSPORTATION
 ILLINOIS ROUTE 21
 MILWAUKEE AVE. OVER DES PLAINES RIVER
 F.A.P. ROUTE 374 SECTION G-B-I-1
 COOK COUNTY, SN 016-6566
PIER 2 ELEVATION & PLAN
 DESIGN BY: AWH DRAWN BY: AWH
 DATE: 8/29/07 CHECKED BY: JAN CHECKED BY: JAW