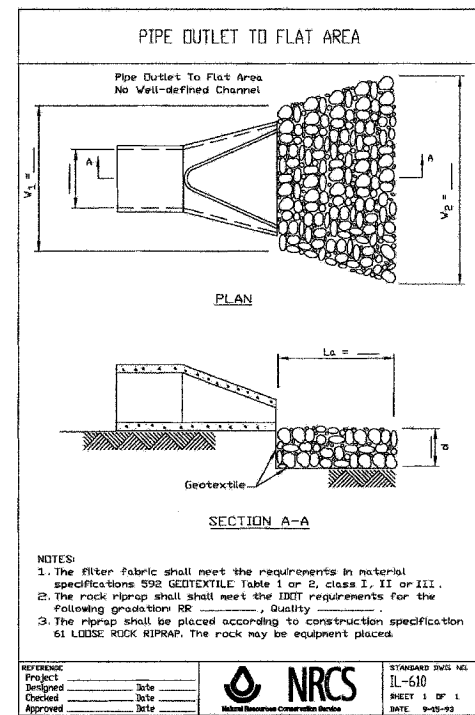
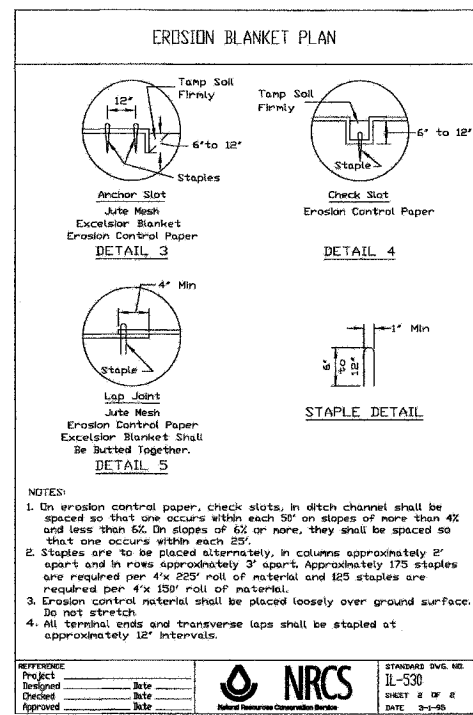
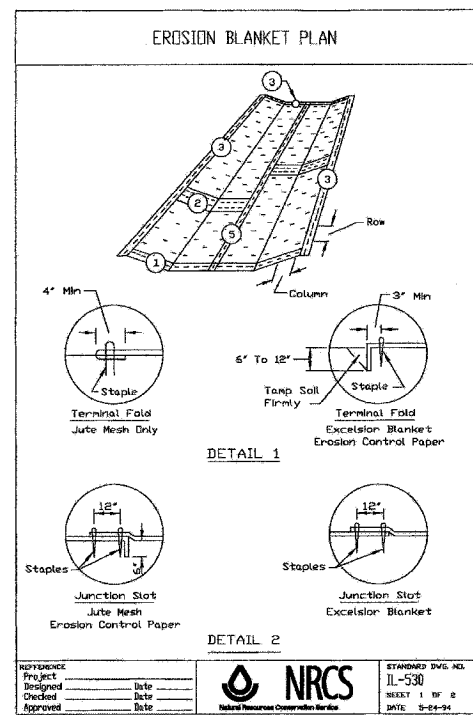


F.A.P. RTE.	SECTION	COUNTY	TOTAL SHEETS	SHEET NO.
846	4B-1-R	WILL	87	16C
STA. 1301+00		TO STA. 1309+00		
FED. ROAD DIST. NO. 1		ILLINOIS		FED. AID PROJECT

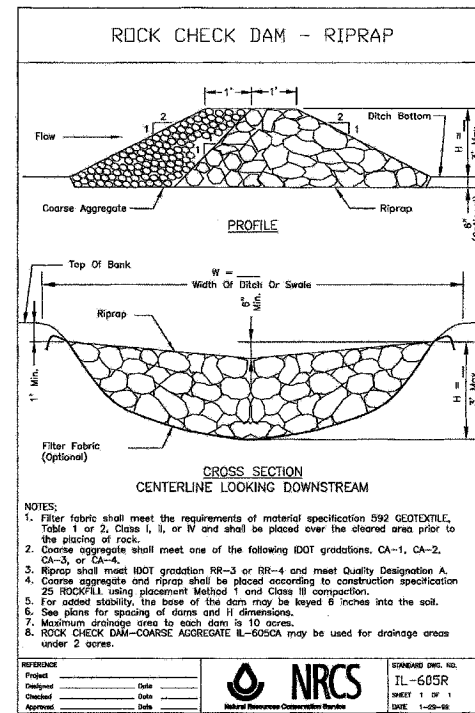
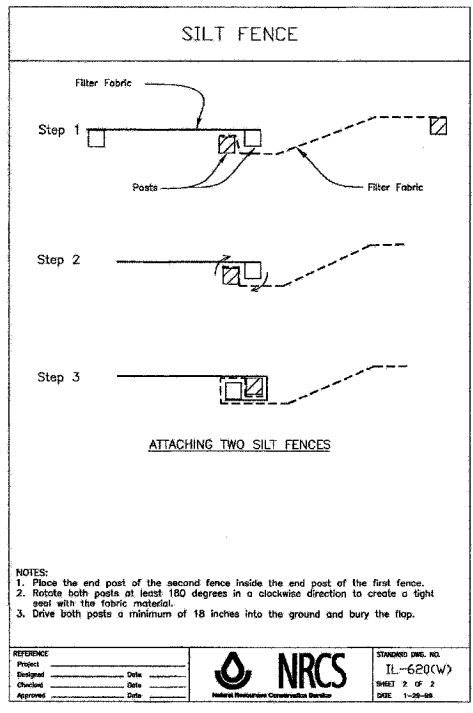
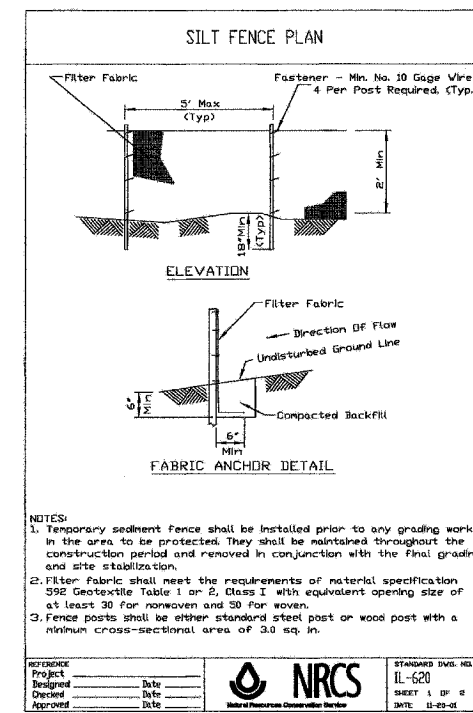
CONTRACT No. 62269



IL-53 PIPE OUTLET DETAILS (STD IL-611), GRADATION: 4

### RIPRAP DETAILS (STD IL-611), GRADATION: 4

STA.	OFFSET	PIPE DIA	W	L <sub>0</sub>	d	QUANTITY
	FT	FT	FT	FT	FT	CY
1307+06.40	60 LT	1.25	3.75	7.0	2.0	1.94
1311+00.00	30.00 LT	1.0	3.0	6.0	2.0	1.33
EXISTING RCP PIPE		1.0	3.0	6.0	2.0	1.33



REVISIONS	
NAME	DATE

ILLINOIS DEPARTMENT OF TRANSPORTATION  
IL RTE 53 OVER PRAIRIE CREEK  
EROSION CONTROL DETAILS

SCALE: NONE  
DATE: AUGUST 2007  
DRAWN BY: JLA/RM/FZ  
CHECKED BY: MK/SMK