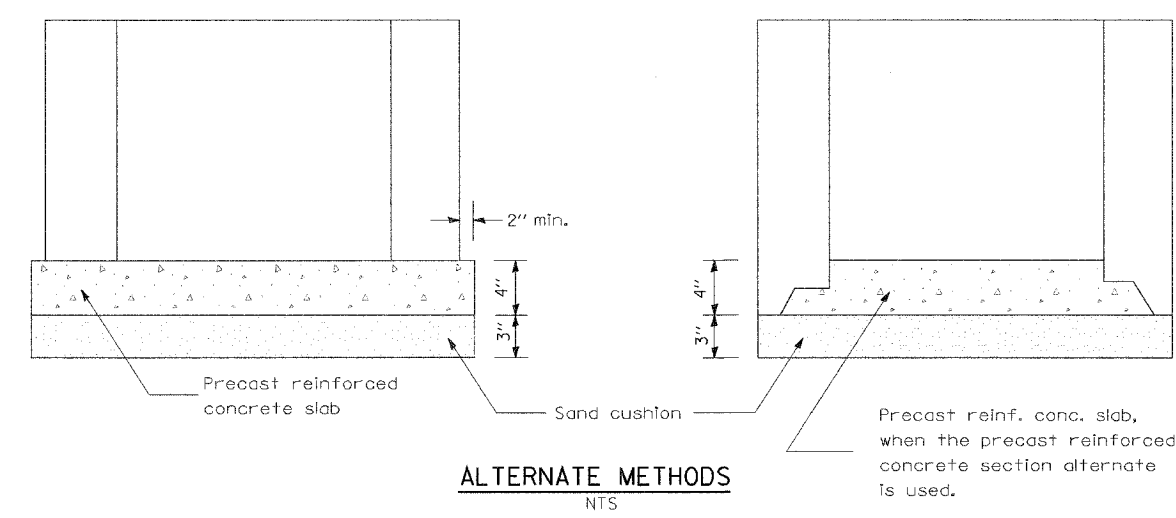
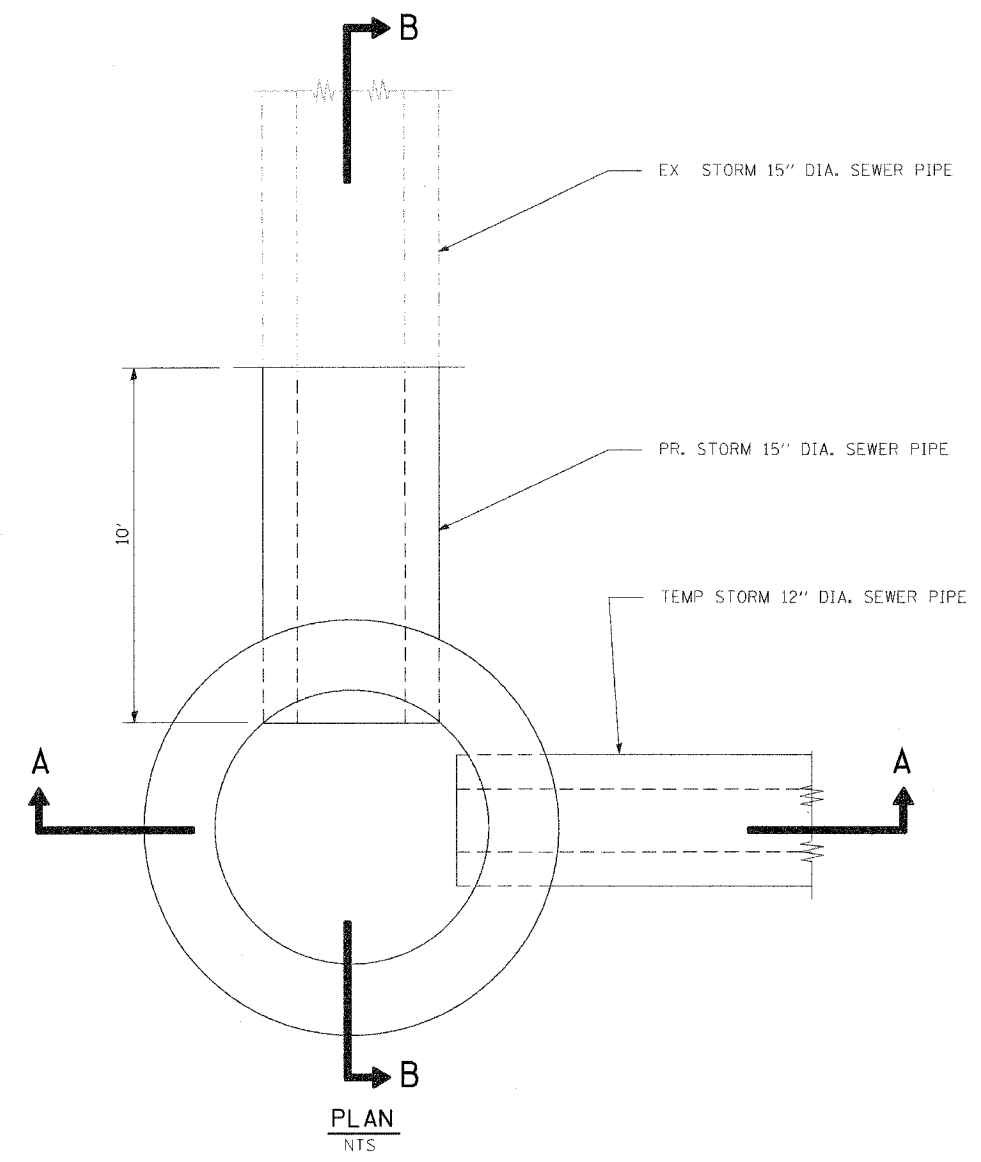
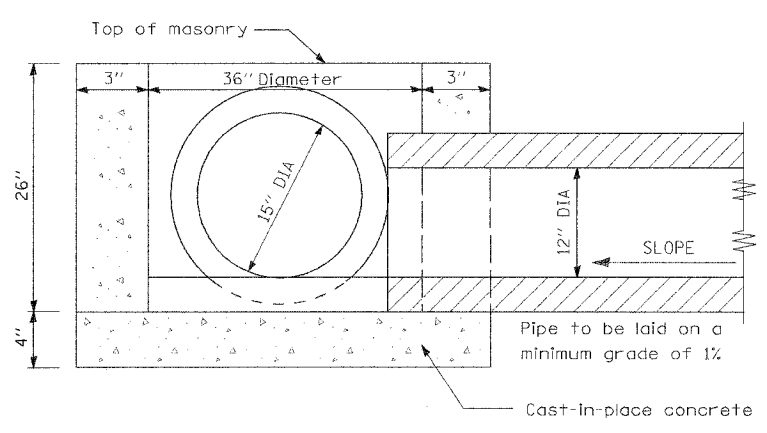


F.A.P. RTE.	SECTION	COUNTY	TOTAL SHEETS	SHEET NO.
846	4B-1-R	WILL	87	17
STA. 1301+00	TO STA. 1309+00			
FED. ROAD DIST. NO. 1 ILLINOIS FED. AID PROJECT				

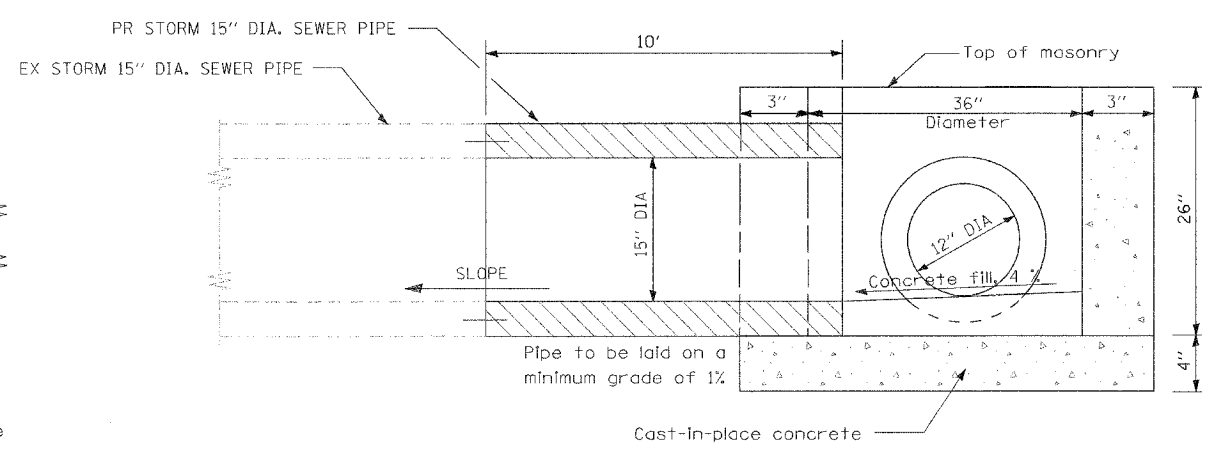
CONTRACT No. 62269



All dimensions are in millimeters (inches) unless otherwise shown.



SECTION A-A
NTS



SECTION B-B
NTS

INLET - TYPE A SPECIAL

MATERIALS FOR WALLS	T
PRECAST REINFORCED CONCRETE SECTION	3"

- NOTES:**
1. PRECAST REINFORCED CONCRETE FLAT SLAB TOP STANDARD 602601-01.
 2. GRATE TYPE 8 STANDARD 604036-01.

REVISIONS	
NAME	DATE

ILLINOIS DEPARTMENT OF TRANSPORTATION
IL RTE 53 OVER PRAIRIE CREEK
INLET DETAILS

SCALE: NONE
DATE: AUGUST 2007

DRAWN BY: JLA/RM/FZ
CHECKED BY: MK/SMK