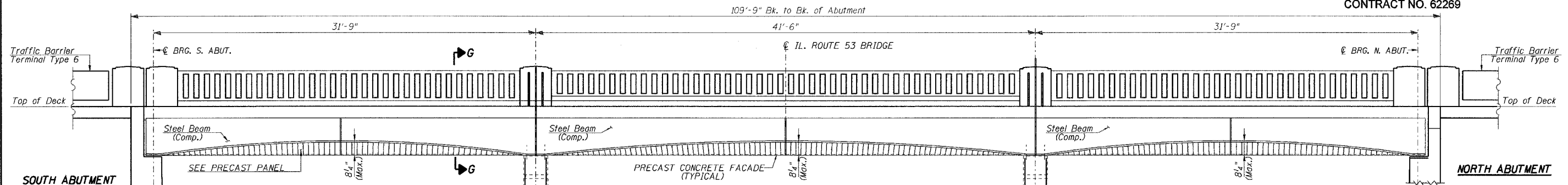


STATE OF ILLINOIS
DEPARTMENT OF TRANSPORTATION

ROUTE NO.	SECTION	COUNTY	SHEET NO.	SHEET NO.
F. A. P.	4-RB	WILL	87	45
SHEETS S20				

CONTRACT NO. 62269



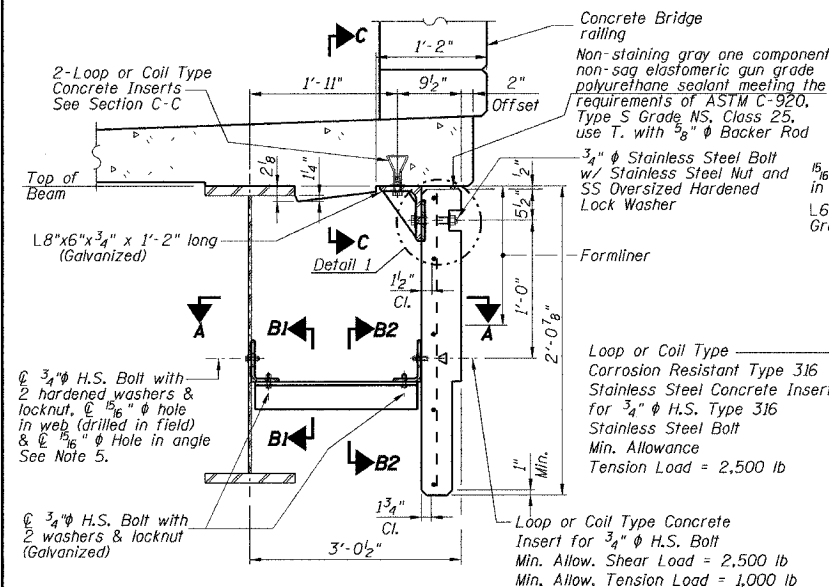
BILL OF MATERIAL

Item	Unit	Quantity
Furnishing And Erecting Precast Concrete Panels	Each	12

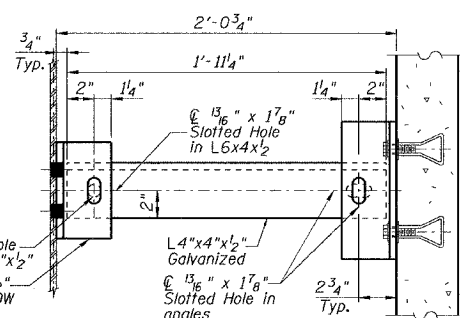
ELEVATION OF PRECAST CONCRETE FACADE
(N.T.S.)

Notes:

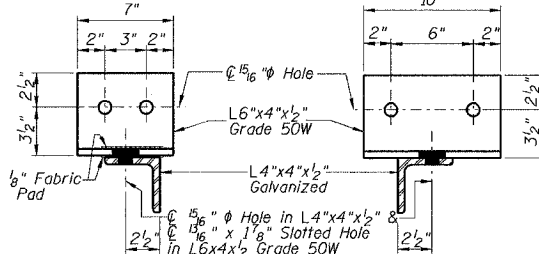
1. Location of inserts in Deck and Precast Concrete Panels shall be very accurate ($\pm 1/16$ "), move or bend reinforcement if in conflict with the insert location.
2. Reinforcement bars shall conform to the requirements of ASTM A706 Grade 60 (IL Modified). See Special Provisions. Reinforcement Bars designated (E) shall be epoxy coated.
3. Field welding of construction accessories will not be permitted to beams or girders.
4. All structural steel shall be AASHTO M270 Grade 36.
5. Fasteners connecting the L 6x4x1/2" to the beam shall be mechanically galvanized AASHTO M164, Type 1 in painted areas. Bolts 3/4" ϕ , open holes 5/8" ϕ , unless otherwise noted.
6. For beam details see Sheets S8 & S9. For deck details see Sheets S5 & S7.
7. All members called out to be Galvanized shall be galvanized after shop fabrication according to AASHTO M111 and ASTM A335. All nuts, bolts and washers called out to be galvanized shall be galvanized according to M232.
8. Cost for all connection angles, fasteners, reinforcement bars epoxy coated, sealant formliner surface, and concrete inserts shall be included with the cost for Furnishing And Erecting Precast Concrete Panels.
9. Contractor shall not drill any holes in field into precast concrete panels or deck. Any required holes shall be Pre-drilled in Precast Concrete Panels in shop.



SECTION THRU PRECAST PANEL

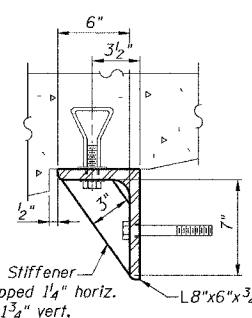


SECTION A-A

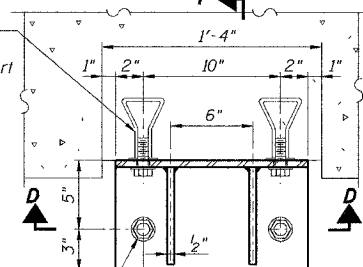


SECTION B1-B1

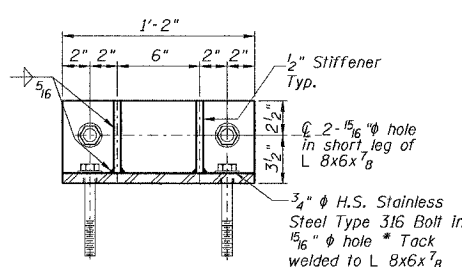
SECTION B2-B2



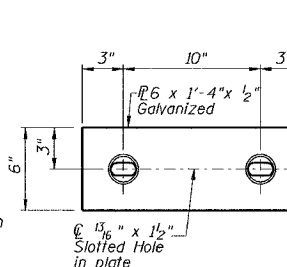
SECTION F-F



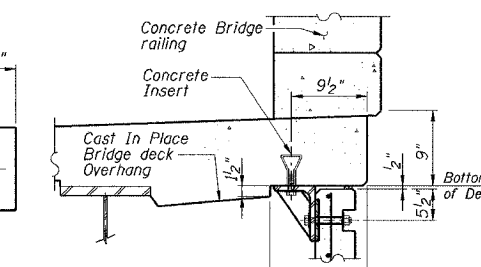
SECTION C-C



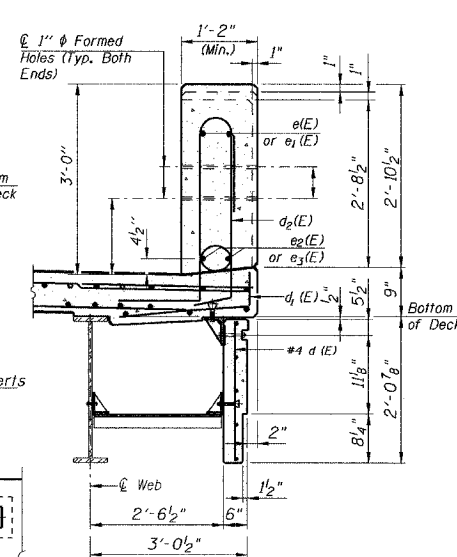
SECTION D-D



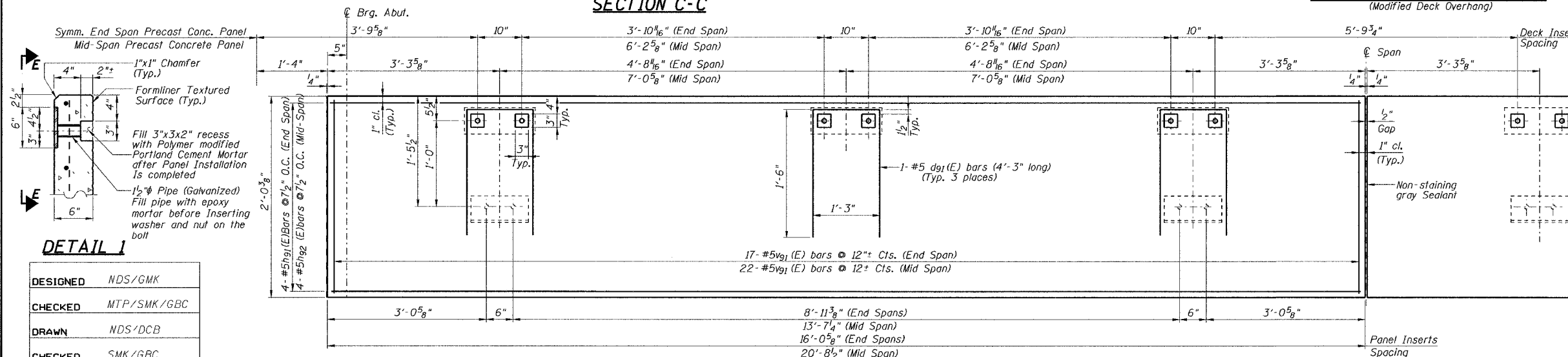
VIEW E-E



MODIFIED DECK OVERHANG
(Modified Deck Overhang)



SECTION G-G
(@ PIER)



PRECAST CONCRETE PANEL ELEVATION
(Formliner Surface not shown for clarity)

DETAIL 1

DESIGNED	NDS/GMK
CHECKED	MTP/SMK/GBC
DRAWN	NDS/DCB
CHECKED	SMK/GBC

ILLINOIS DEPARTMENT OF TRANSPORTATION
PRECAST CONCRETE FACADE
FAP 846
NB IL. ROUTE 53 OVER PRAIRIE CREEK
STATION 1305+00 SECTION 4-RB
WILL COUNTY
STRUCTURE NO. 099-0090
SCALE: NONE
DATE: AUGUST 2007
DEI DELTA ENGINEERING INC.
CONSULTING ENGINEERS, CHICAGO, ILLINOIS