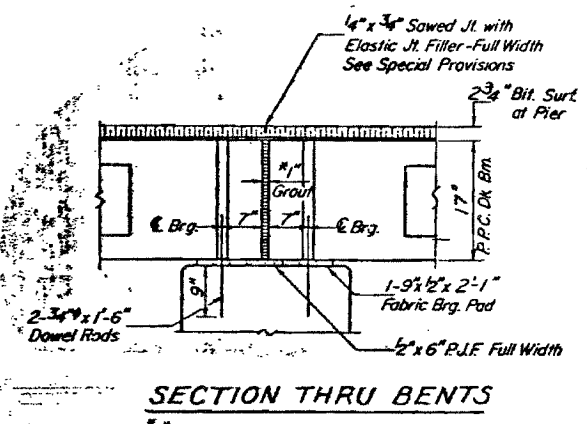
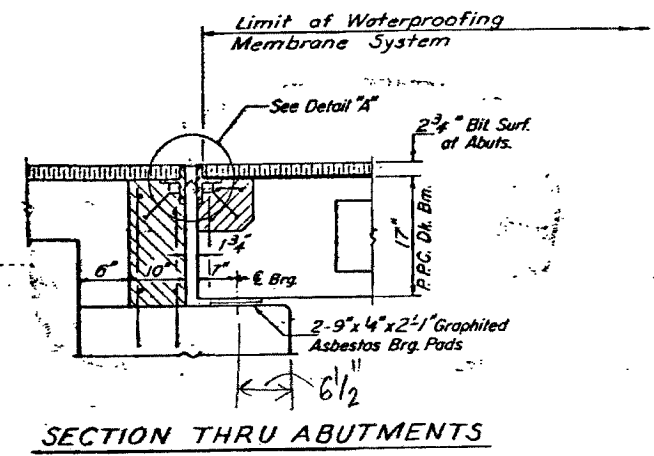


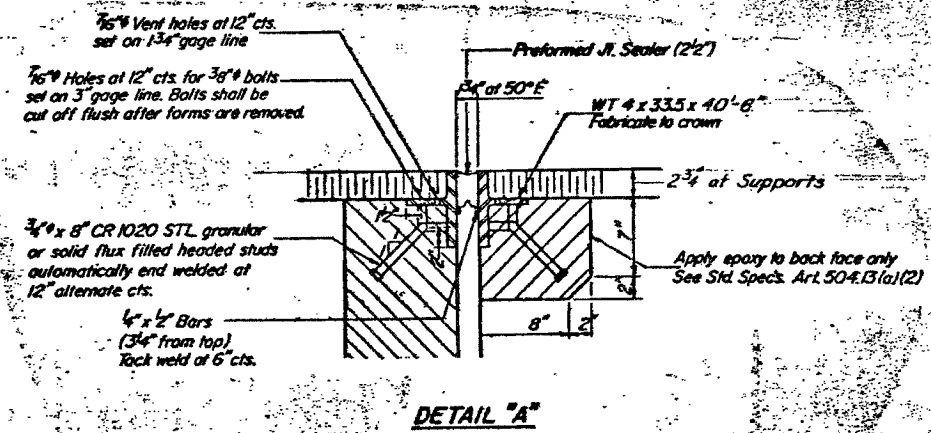
STATE OF ILLINOIS  
DEPARTMENT OF TRANSPORTATION

DESIGN NO.	PROJECT	QUANTITY	TOTAL SHEETS	SHEET NO.
15-1-R	WILL	32	11	9
SHEET NO. 4 9 SHEETS				

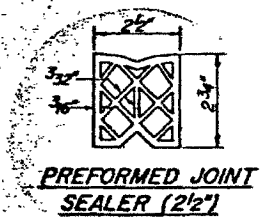
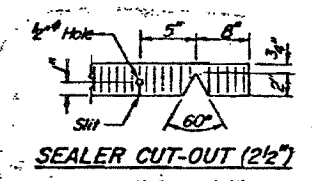
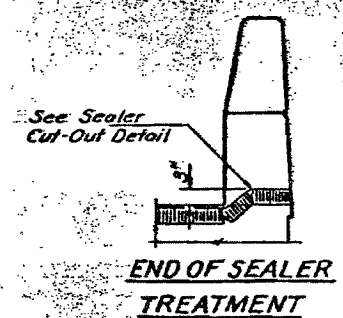
SHEET NO. 65E  
SOUTHBOUND BRIDGE  
STRUCTURE NO. 099-0242  
EXISTING PLANS



1" Joint shall be packed with a very dry mix of 2-1 sand and P.C. mortar. This dimension may vary plus or minus to accommodate tolerance in beam lengths.



NOTE: Dimensions are at right angles.  
Hatched areas to be poured after beams have been erected and joints grouted.  
Ends of beams shall be aligned at the expansion joints. Any lined variation in the beam lengths shall be placed at the fixed joint. See End of Beam Detail for reinforcement.



S.B.

DESIGNED <i>R.P. Summer</i>	APPROVED
CHECKED <i>R.K. Cowles</i>	DATE <i>APRIL 22, 1975</i>
DRAWN <i>R.P. Summer</i>	
CHECKED <i>J.O. RKL</i>	

FOR REFERENCE ONLY

DETAILS  
F.A. RT.5 SEC. 4B-1-R  
WILL COUNTY  
STA. 1305+00.00