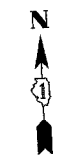


CONTRACT NO. 62340

F.A.U. ROUTE NO.	SECTION	COUNTY	TOTAL SHEETS	SHEET NO.
533	119R-1-B	McHENRY	77	15

ILLINOIS PROJECT



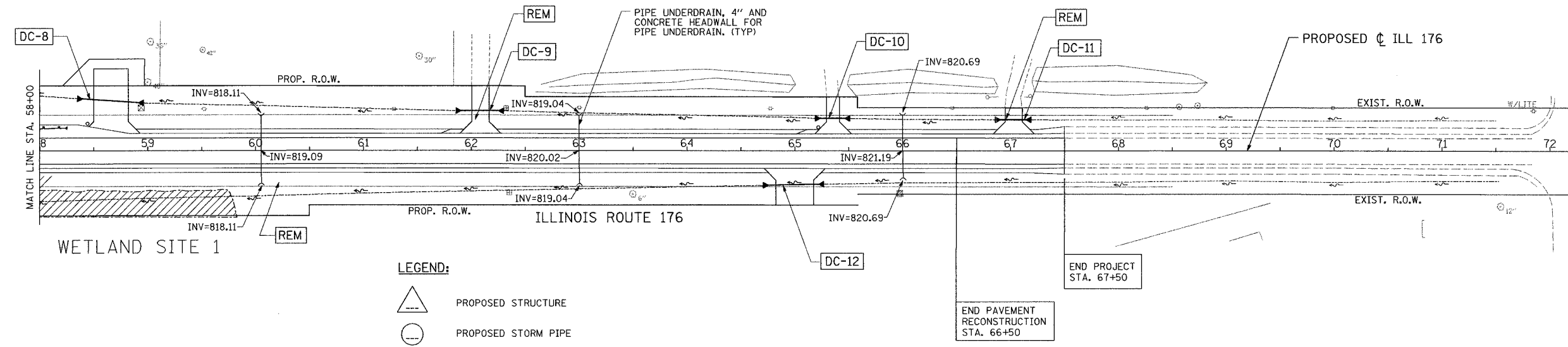
**DC-8**  
PIPE CULVERT - 15" DIA.  
CLASS D, TYPE 1  
57' @ 0.30%  
EAST F.E.S. - STA. 58+96.00, 42.2' LT  
INV. 816.69  
WEST F.E.S. - STA. 58+35.00, 48.2' LT  
INV. 816.51

**DC-9**  
PIPE CULVERT - 15" DIA.  
CLASS D, TYPE 1  
40' @ 0.87%  
EAST F.E.S. - STA. 62+30.00, 37' LT  
INV. 818.01  
WEST F.E.S. - STA. 61+86.00, 37' LT  
INV. 817.62

**DC-10**  
PIPE CULVERT - 15" DIA.  
CLASS D, TYPE 1  
28' @ 0.87%  
EAST F.E.S. - STA. 65+51.00, 30.20' LT  
INV. 820.81  
WEST F.E.S. - STA. 65+19.00, 30.20' LT  
INV. 820.54

**DC-11 (\*)**  
PIPE CULVERT - 13"x17" ARCH PIPE  
CLASS D, TYPE 1  
29' @ 0.87%  
EAST F.E.S. - STA. 67+19.00, 29' LT  
INV. 822.28  
WEST F.E.S. - STA. 66+86.50, 29' LT  
INV. 822.00

**DC-12**  
PIPE CULVERT - 15" DIA.  
CLASS D, TYPE 1  
52' @ 0.87%  
EAST F.E.S. - STA. 65+27.00, 30.60' RT  
INV. 820.60  
WEST F.E.S. - STA. 64+71.00, 31.70' RT  
INV. 820.12



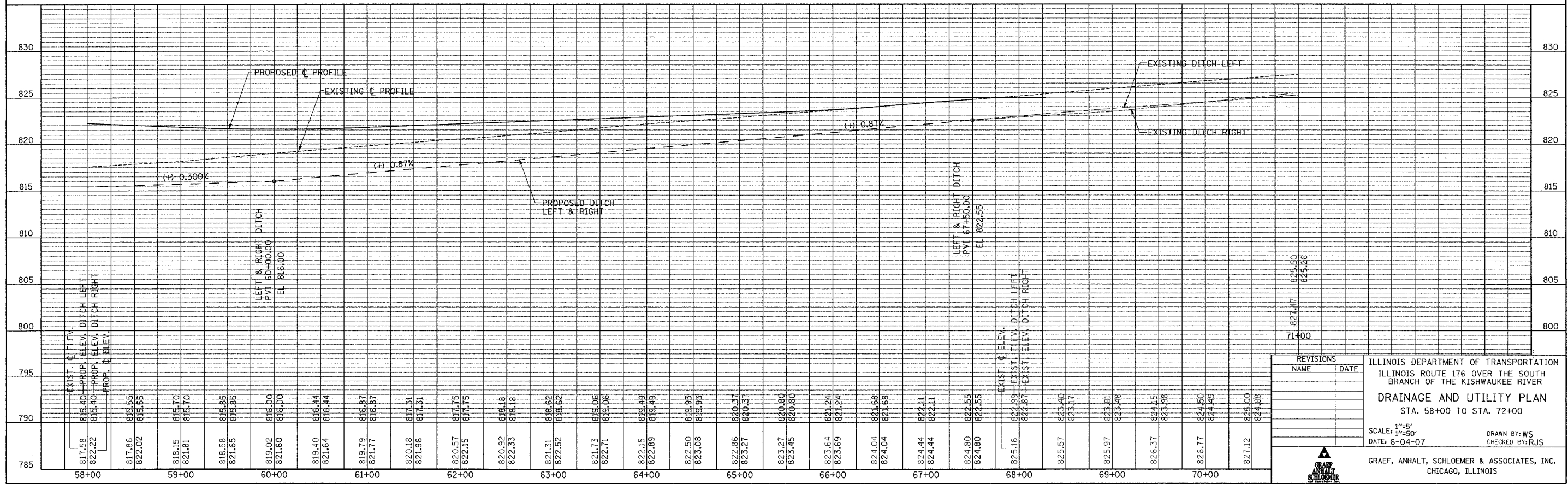
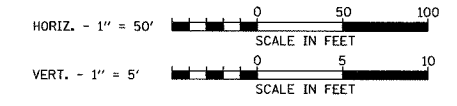
**LEGEND:**

- PROPOSED STRUCTURE
- PROPOSED STORM PIPE
- DC-1** CULVERT
- REM** UTILITY ITEM TO BE REMOVED
- DITCH FLOWLINE

**NOTES:**

FOR DRIVEWAY CULVERTS  
POLYVINYL CHLORIDE (PVC)  
AND POLYETHYLENE (PE)  
PIPES WILL NOT BE PERMITTED.

(\*) PIPE AND END SECTIONS SHALL BE PAID AS  
PIPE CULVERTS, CLASS D, TYPE 1,  
EQUIVALENT ROUND-SIZE 15"



REVISIONS	
NAME	DATE

ILLINOIS DEPARTMENT OF TRANSPORTATION  
ILLINOIS ROUTE 176 OVER THE SOUTH  
BRANCH OF THE KISHWAUKEE RIVER  
**DRAINAGE AND UTILITY PLAN**  
STA. 58+00 TO STA. 72+00

SCALE: 1"=5'  
DATE: 6-04-07

DRAWN BY: WS  
CHECKED BY: RJS

GRAEF, ANHALT, SCHLOEMER & ASSOCIATES, INC.  
CHICAGO, ILLINOIS

**PLAN and PROFILE**

FILE: H:\Jobs\2002\2002\2002\3\CAD\DOT1\_J\trans\dgr\00\plan\_util104.dgn  
DATE: 04-Jun-07 11:31