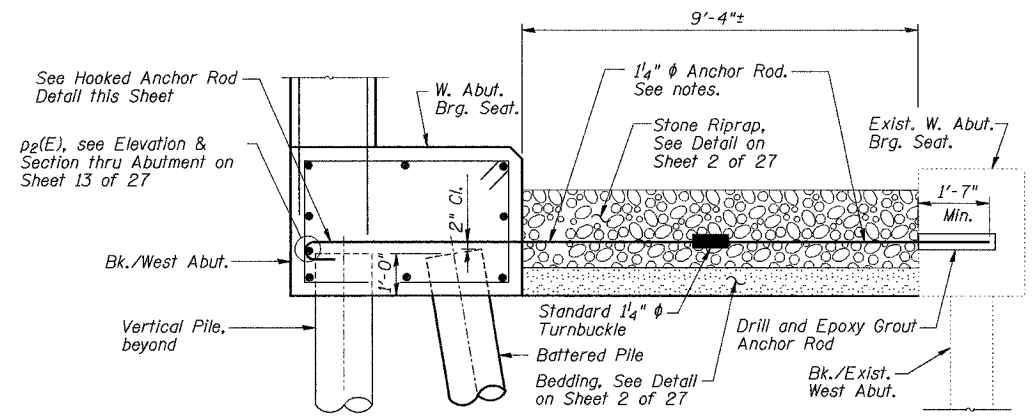
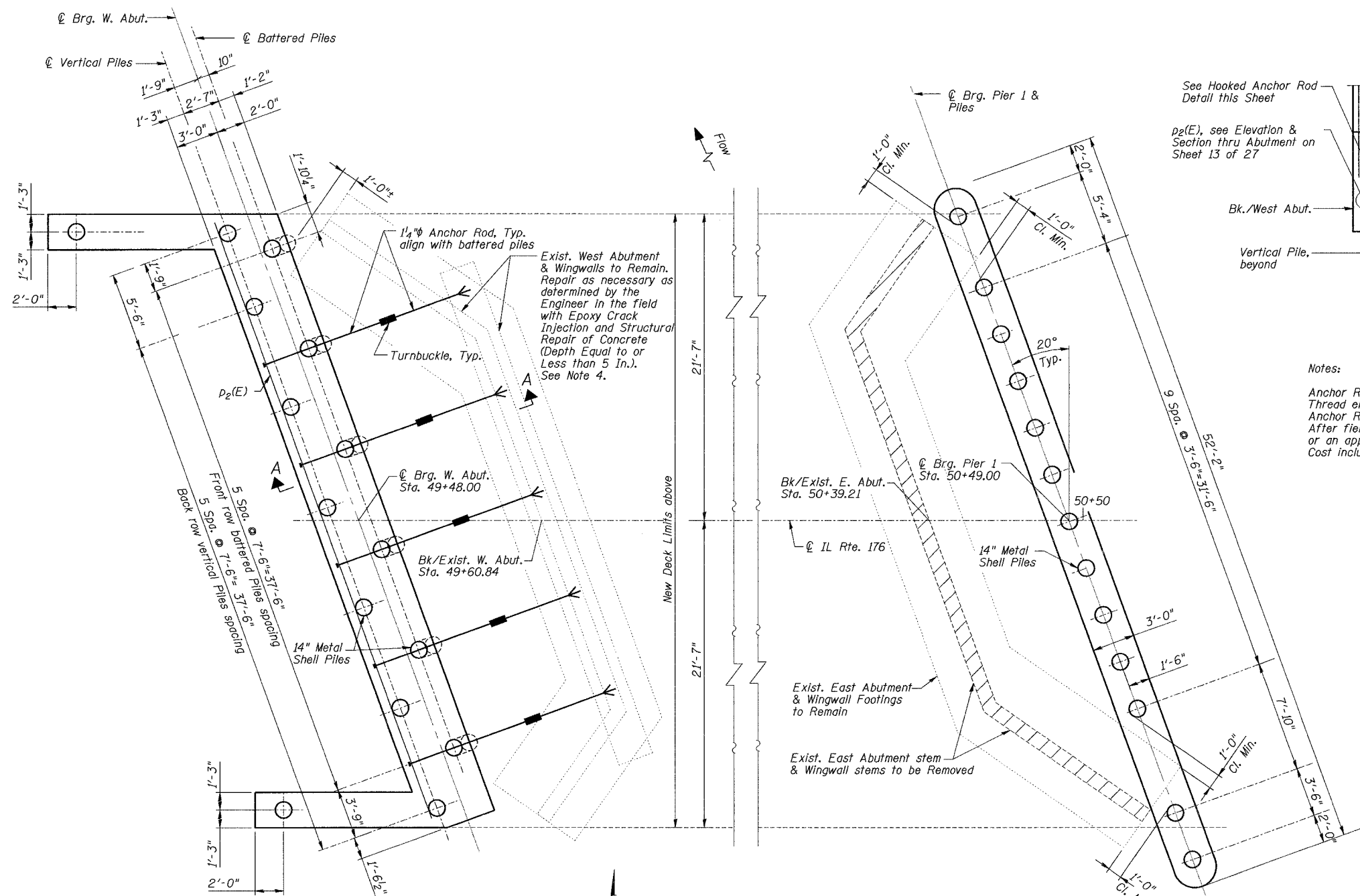
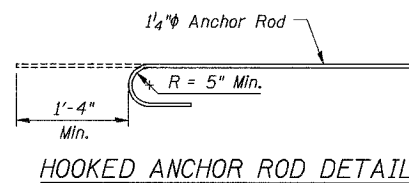


ROUTE NO.	SECTION	COUNTY	TOTAL SHEETS	SHEET NO.	SHEET NO. 12 OF 27 SHEETS
533	119R-1-B	McHenry	77	34	
FED. ROAD DIST. XXXX		ILLINOIS		FED. AID PROJECT-	

Contract #62340



SECTION A-A



BILL OF MATERIAL

Item	Unit	Total
Epoxy Crack Injection	Foot	20
Structural Repair of Concrete (Depth Equal to or Less than 5 In.)	Sq. Ft.	20
Furnishing and Installing Tied Anchor Rod Assembly	Each	5

WEST ABUTMENT & PIER 1
PILE LAYOUT
IL Route 176 over
South Branch of the Kishwaukee River
F.A.P. RTE 533, SECTION 119R-1-B
McHENRY COUNTY
STATION 51+50.00
S.N. 056-0071
DATE: 08-17-07
GRAEF, ANHALT, SCHLOEMER & ASSOCIATES INC
CHICAGO ILLINOIS

DESIGNED	S.S.T.
CHECKED	S.D.H.
DRAWN	E.B.
CHECKED	S.S.T.

LEGEND

	- Existing Structure to remain in place
	- Existing Structure to be removed
	- New Structures