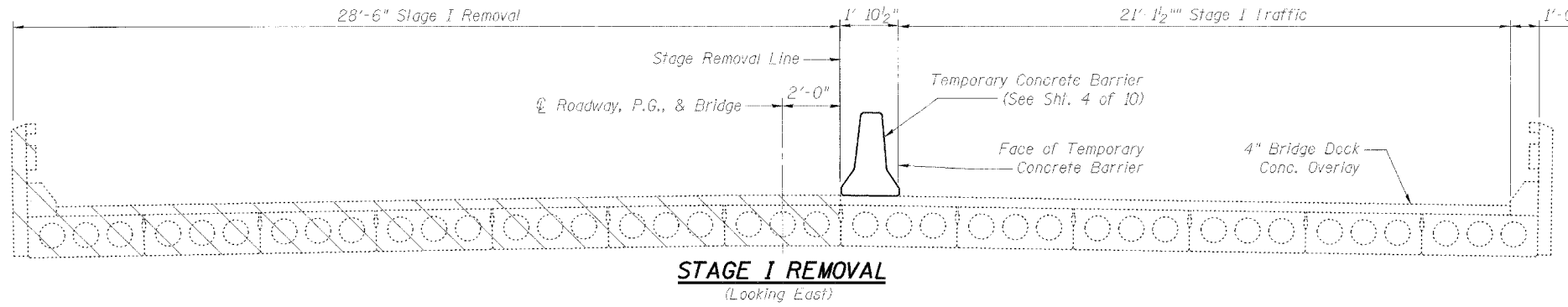


STATE OF ILLINOIS
DEPARTMENT OF TRANSPORTATION

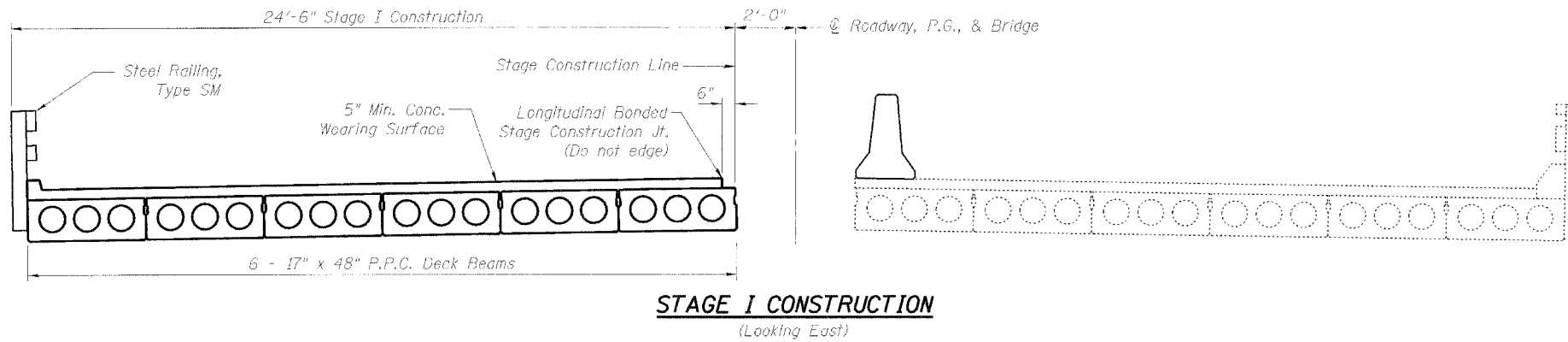
ROUTE NO.	SECTION	COUNTY	DIST. MAPS	SHEET NO.
Rte. 20		Cook	22	10
FED. ROAD DIST. NO. 7		ILLINOIS	FED. AID PROJECT	

SHEET NO. 3
10 SHEETS

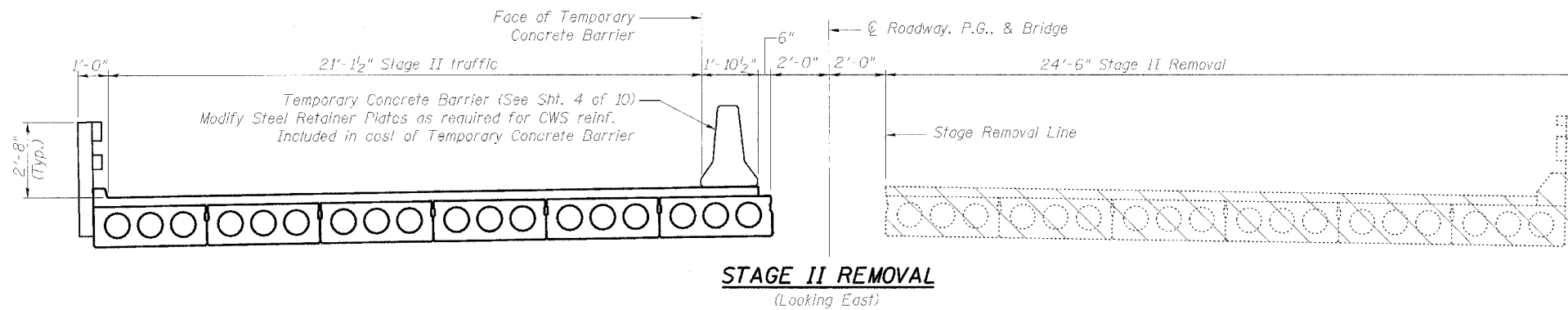
Contract # 62618



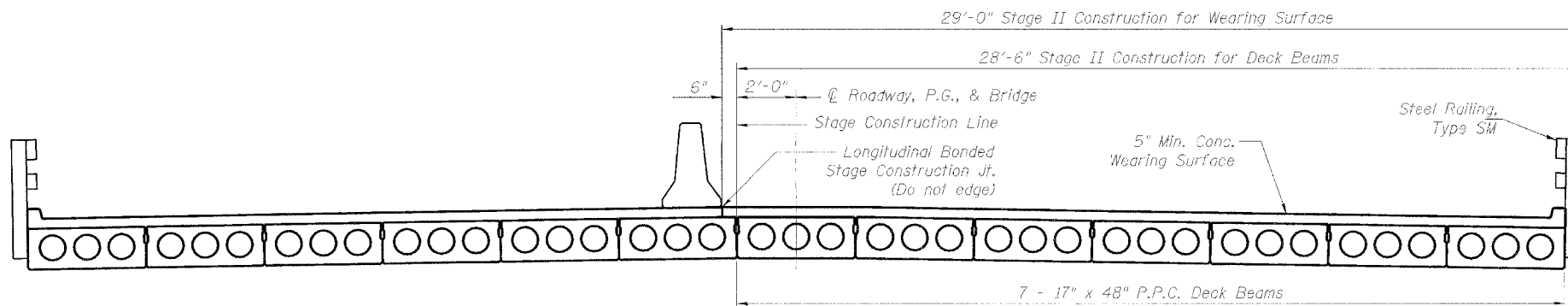
STAGE I REMOVAL
(Looking East)



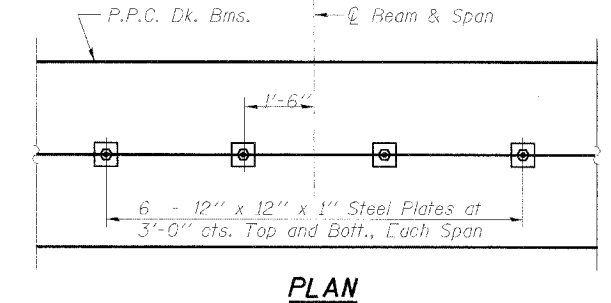
STAGE I CONSTRUCTION
(Looking East)



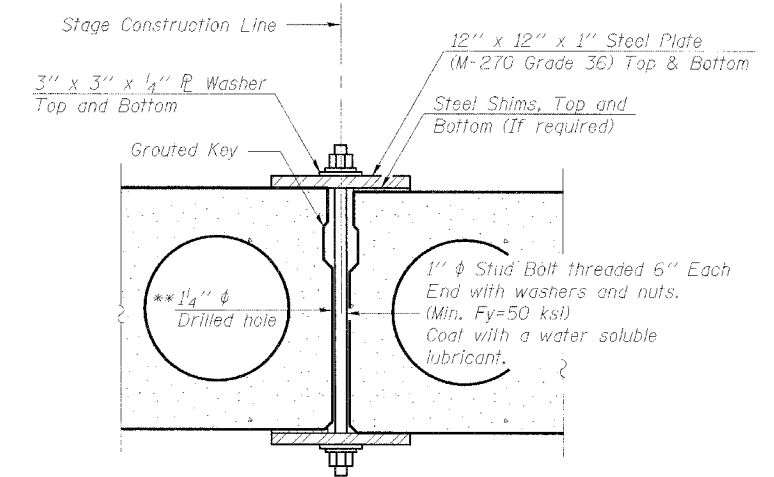
STAGE II REMOVAL
(Looking East)



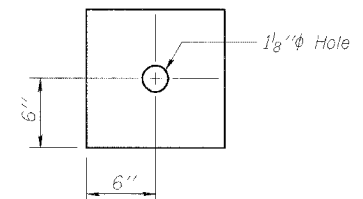
STAGE II CONSTRUCTION
(Looking East)



PLAN



SECTION



CLAMPING PLATE

SHEAR KEY CLAMPING DETAILS AT STAGE CONST. JT.

Cost Included with Precast Prestressed Concrete Deck Beams.

See Stage Construction Details for traffic lanes.

** As an alternate to the drilled holes, the Contractor may request the Fabricator to cast 2" diameter semi-circular recesses in the sides of each beam adjacent to the stage construction line. These recesses should align to form a hole at the appropriate locations for the clamping device bolts. If the Contractor elects to use this alternate, the details shall be identified on the shop drawings.

STAGE CONSTRUCTION
U.S. RTE. 20 (F.A.P. 426)
OVER E.J. & E. RAILROAD
COOK COUNTY, STA. 106+03.50
STRUCTURE NO. 016-0219

DESIGNED	DDB
CHECKED	LLV
DRAWN	MGM
CHECKED	LLV

EXAMINED	200
PASSED	ENGINEER OF BRIDGE DESIGN
	ENGINEER OF BRIDGES AND STRUCTURES

STS CONSULTANTS
111 NE Jefferson Ave.
Peoria, Illinois 61602
Ph(309)676-8464
FAX(309)676-5445
IL Design Firm Reg. No. 184-001518