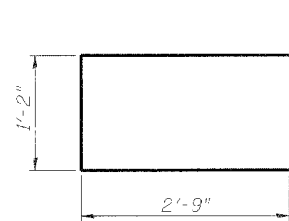


STATE OF ILLINOIS  
DEPARTMENT OF TRANSPORTATION

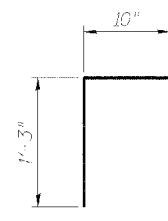
ROUTE NO.	SECTION	COUNTY	TOTAL SHEETS	SHEET NO.
Rte. 20		Cook	22	12
FED. ROAD DIST. NO. 7	ILLINOIS	FED. AID PROJECT-		

SHEET NO. 5  
10 SHEETS

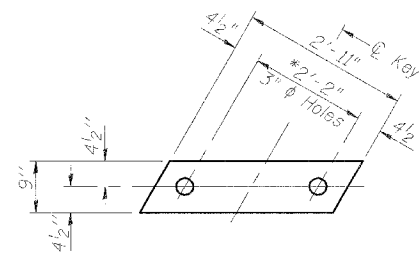
Contract # 62618



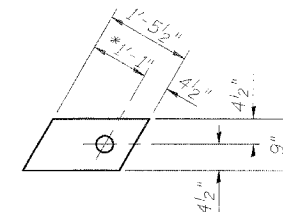
**BAR U**



**D(E) BAR**

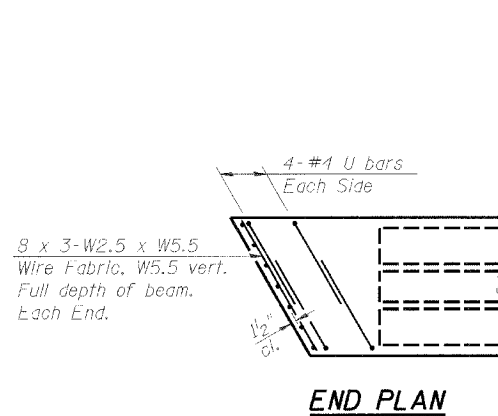


**INTERIOR**  
7? Req'd

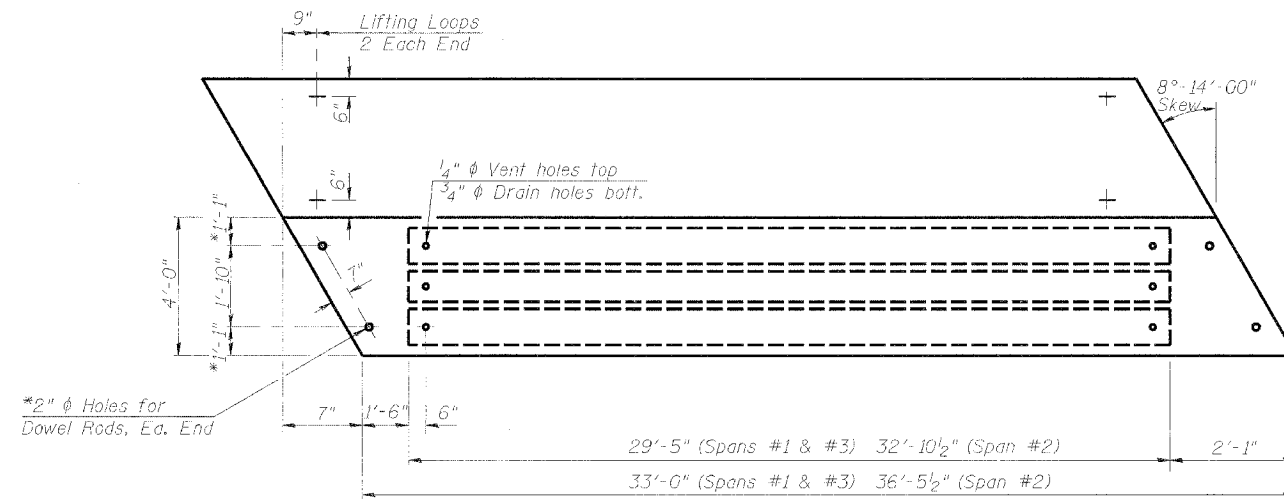


**EXTERIOR**  
12 Req'd

**FIXED FABRIC BEARING PAD - 48" BEAM**



**END PLAN**



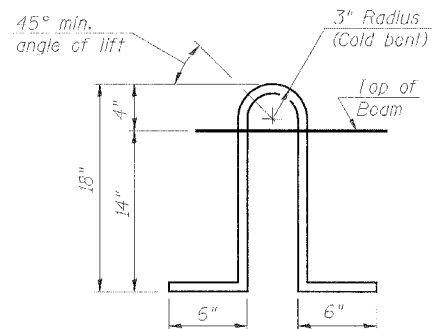
**PLAN - 48" BEAM**

(26 Req'd Spans #1 & #3, 13 Req'd Span #2)

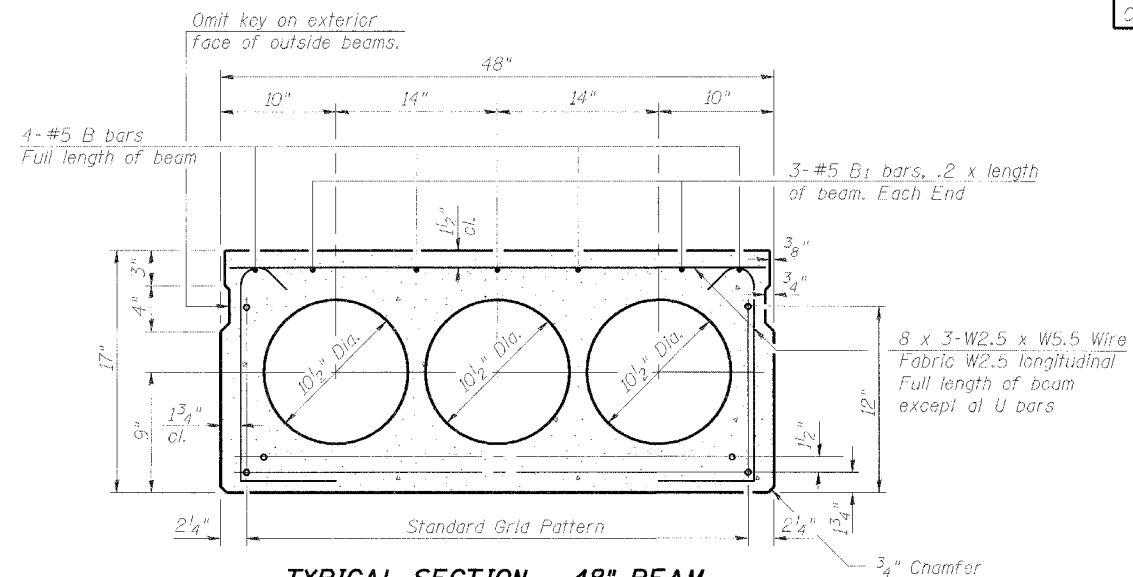
\* Dowel hole spacing is non standard to miss existing dowel rods in existing abutments and piers.

**BILL OF MATERIAL**

Item	Unit	Quantity
Precast Prestressed Conc. Deck Bms. (17" Depth)	Sq. Ft.	5,328



**LIFTING LOOP DETAIL**



**TYPICAL SECTION - 48" BEAM**

19 - 1/2" φ Strands, Each Strand Stressed to 30,900 Lbs.  
13 - Strands 1 3/4" up, 4 - Strands 3/4" up, 2 - Strands 1/2" up

Note: Place strands symmetrically about C of beam.

DESIGNED	DDB
CHECKED	LLV
DRAWN	MGM
CHECKED	LLV

EXAMINED	200
PASSED	ENGINEER OF BRIDGE DESIGN
	ENGINEER OF BRIDGES AND STRUCTURES

**SUPERSTRUCTURE DETAILS**  
**17" DECK BEAMS**  
**U.S. RTE. 20 (F.A.P. 426)**  
**OVER E.J. & E. RAILROAD**  
**COOK COUNTY, STA. 106+03.50**  
**STRUCTURE NO. 016-0219**

**STS Consultants**  
111 NE Jefferson Ave.  
Peoria, Illinois 61602  
PH:309/676-8464  
FAX:309/676-5445  
IL Design Firm Reg. No. 184-001518