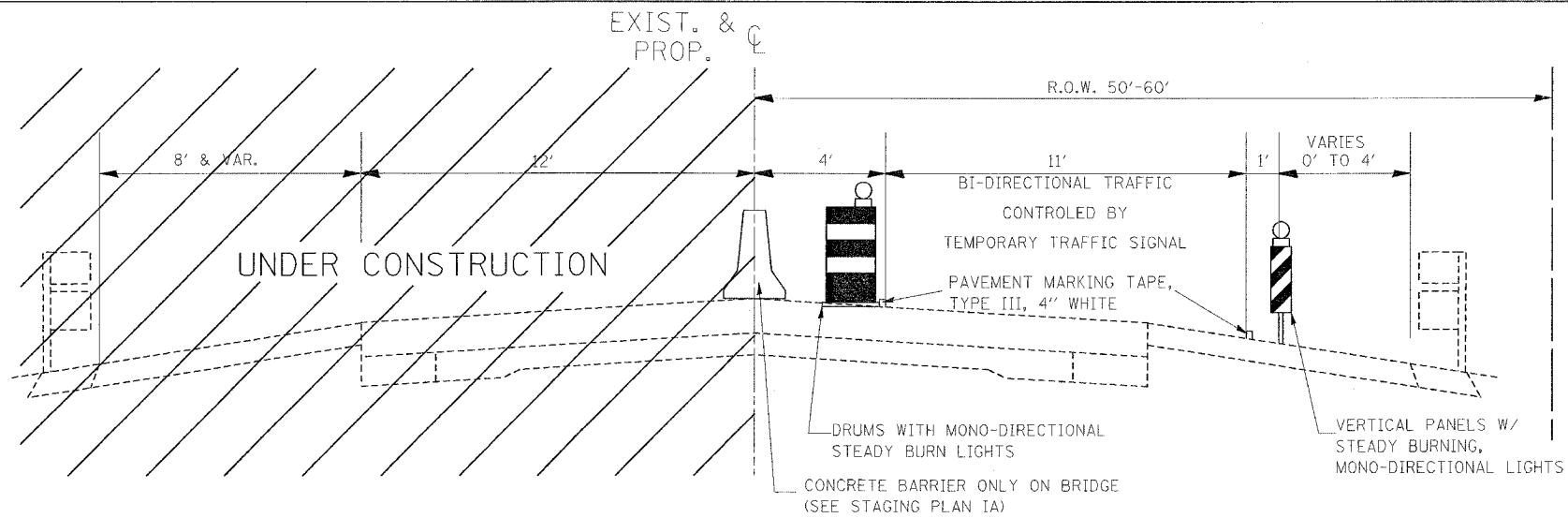
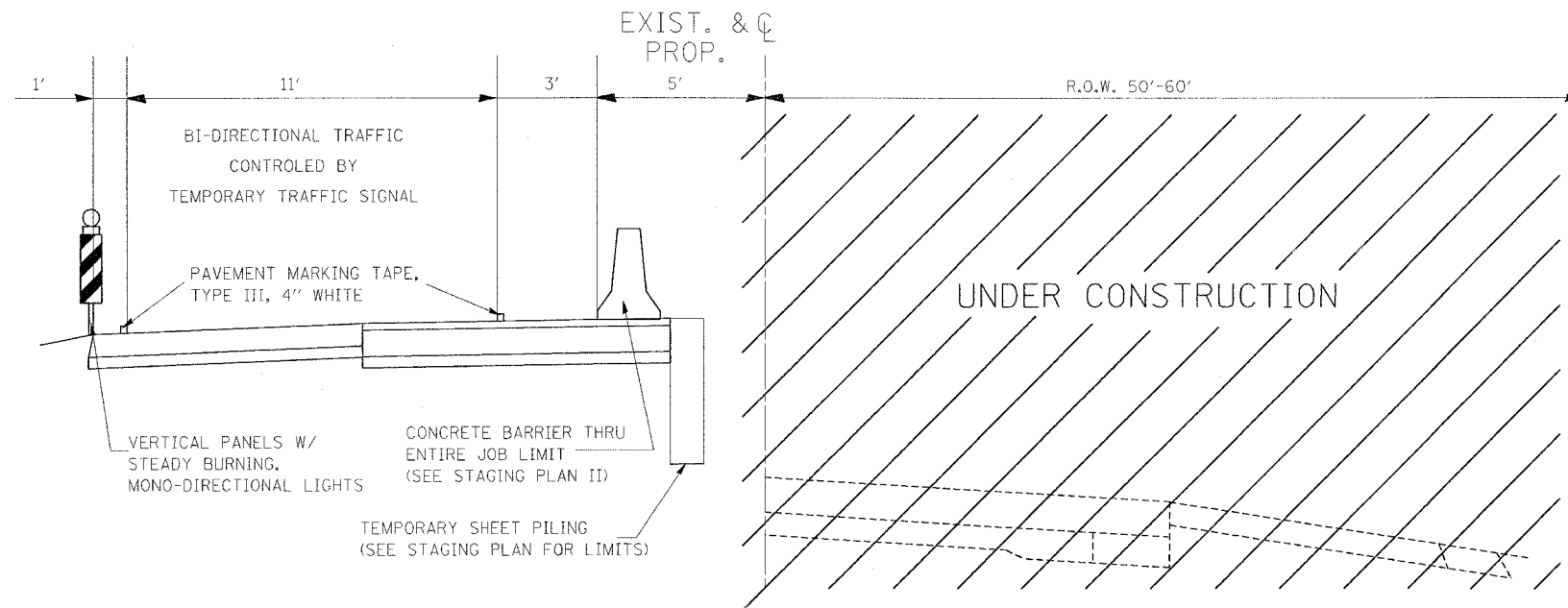


F.A.P. RTE.	SECTION	COUNTY	TOTAL SHEETS	SHEET NO.
852	18 B-5-R-2	WILL	66	13
STA.	TO STA.			
FED. ROAD DIST. NO.	ILLINOIS	FED. AID PROJECT		
CONTRACT NO. 62845				



STAGE IA TYPICAL SECTION  
 US-52  
 STA 1002+94 TO STA 1007+46  
 STA 1008+54 TO STA 1013+56  
 (LOOKING NORTH)



STAGE II TYPICAL SECTION  
 US-52  
 STA 1002+94 TO STA 1007+46  
 STA 1008+54 TO STA 1013+56  
 (LOOKING NORTH)

**NOTE:**

TEMPORARY PAVEMENT SHALL CONSIST OF  
 1 3/4" HOT-MIX ASPHALT SURFACE COURSE, MIX D, N50, (IL 9.5 mm)  
 9 3/4" HOT-MIX ASPHALT BASE COURSE (HMA BINDER IL 19 mm)

REVISIONS	
NAME	DATE

ILLINOIS DEPARTMENT OF TRANSPORTATION  
 US-52 OVER PRAIRIE CREEK  
 STAGING TYPICALS  
 STAGE IA & STAGE II

SCALE: NO SCALE  
 DATE: 8/23/2007

DRAWN BY  
 CHECKED BY