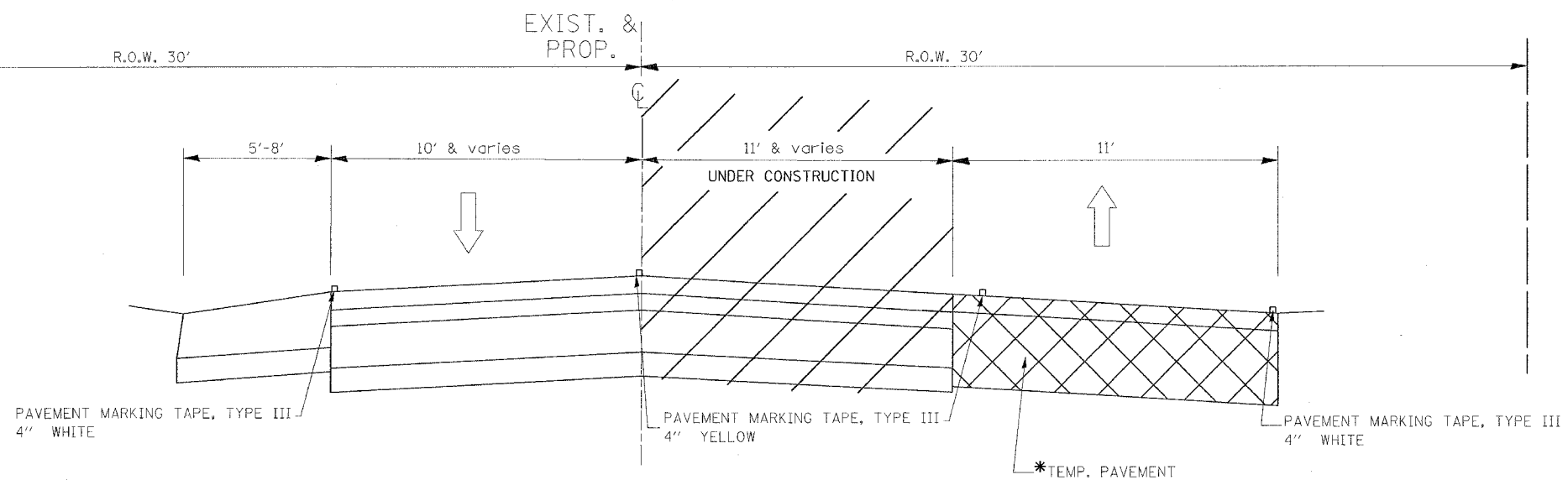


F.A.P. RTE.	SECTION	COUNTY	TOTAL SHEETS	SHEET NO.
852	18 B-5-R-2	WILL	66	15
STA.		TO STA.		
FED. ROAD DIST. NO.	ILLINOIS	FED. AID PROJECT		
CONTRACT NO. 62845				



STAGE IIIB TYPICAL SECTION  
 HOFF ROAD  
 STA 8+01 TO STA 9+43  
 (LOOKING EAST)

**NOTE:**

TEMPORARY PAVEMENT SHALL CONSIST OF  
 1 3/4" HOT-MIX ASPHALT SURFACE COURSE, MIX D, N50, (IL 9.5 mm)  
 9 3/4" HOT-MIX ASPHALT BASE COURSE (HMA BINDER IL 19 mm)

REVISIONS		ILLINOIS DEPARTMENT OF TRANSPORTATION
NAME	DATE	
		HOFF ROAD STAGING TYPICALS STAGE IIIB  SCALE: NO SCALE DATE: 8/14/2007
		DRAWN BY CHECKED BY