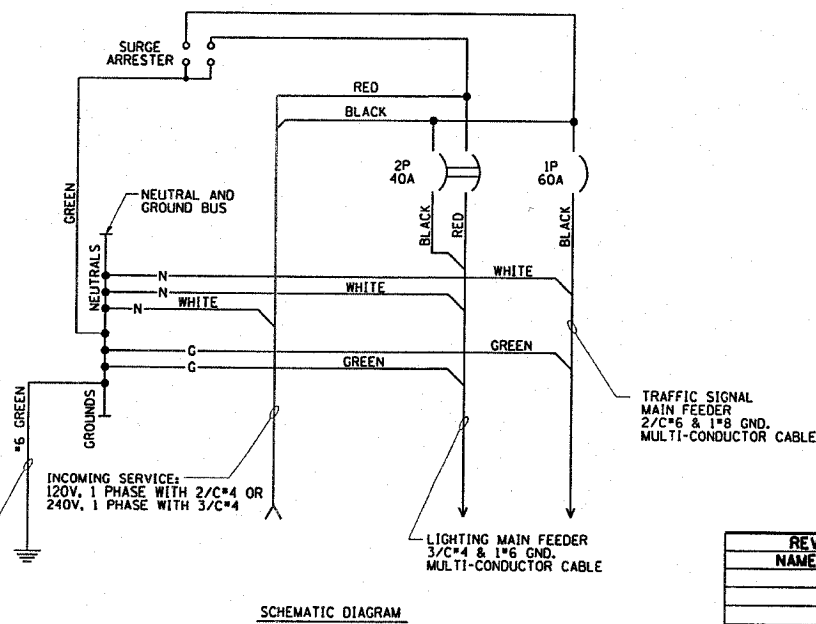
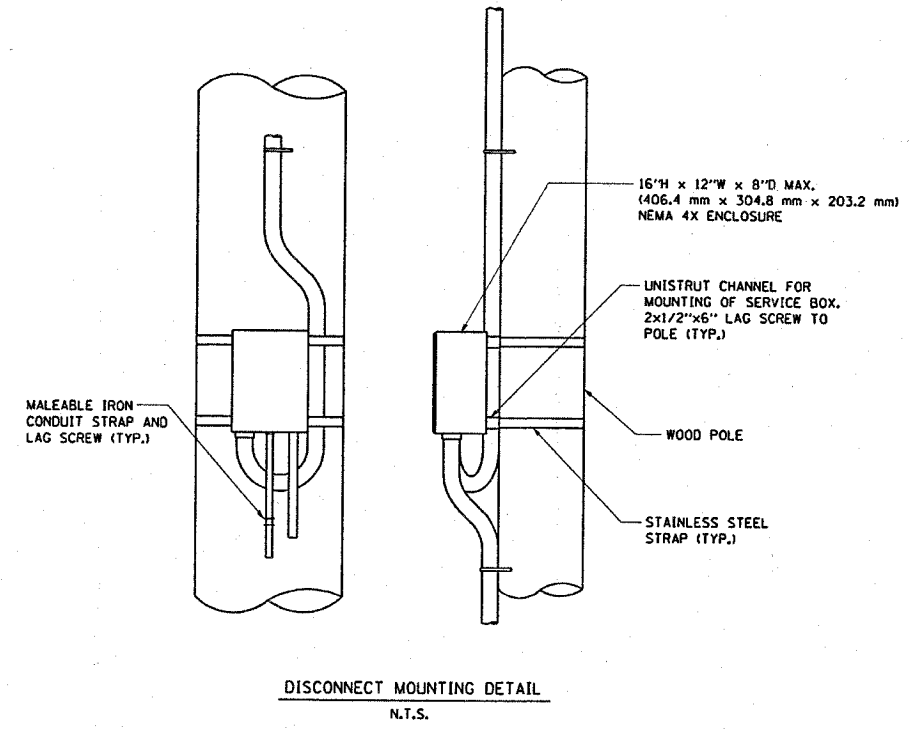
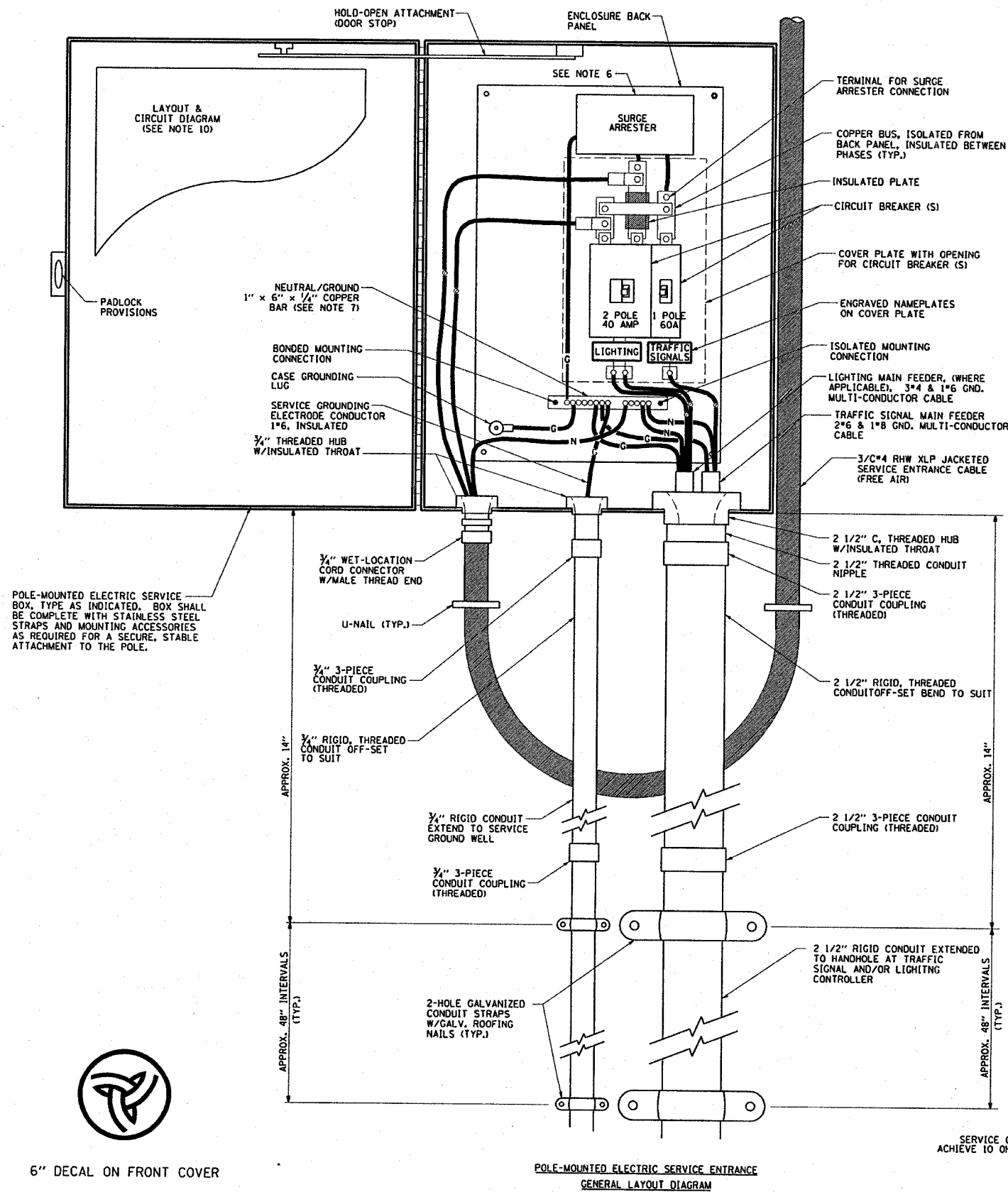


F.A.P. RTE.	SECTION	COUNTY	TOTAL SHEETS	SHEET NO.
852	18 B-5-R-2	WILL.	66	29
STA.		TO STA.		
FED. ROAD DIST. NO.		ILLINOIS FED. AID PROJECT		



- NOTES:**
- ELECTRIC SERVICE SHALL BE OF THE VOLTAGE INDICATED OR DESIGNATED BY THE ENGINEER, AND SERVICE DROP CABLE SHALL BE COMPATIBLE WITH THE SERVICE ACCORDINGLY. SOME INSTALLATIONS MAY CALL FOR SERVICE ENTRANCE EQUIPMENT SUITABLE FOR 3-WIRE SERVICE EVEN THOUGH INITIALLY WIRED FOR 2-WIRE SERVICE.
 - THE POLE-MOUNTED ELECTRIC SERVICE BOX DETAIL DEPICTS THE BASIC CONSTRUCTION OF THE EQUIPMENT. SLIGHT MODIFICATIONS APPLY FOR DIFFERING SERVICES AND APPLICATIONS AS FOLLOWS:
 - TYPE A FULLY EQUIPPED FOR 240/120V. 3W SERVICE, COMPLETE WITH LIGHTING MAIN BREAKER
 - TYPE A1 FULLY EQUIPPED FOR 240/120V. 3W SERVICE, BLANK COVER IN LIEU OF LIGHTING MAIN BREAKER
 - TYPE B EQUIPPED FOR 120V. SERVICE, COMPLETE WITH 1P, 60A. TRAFFIC SIGNALS MAIN BREAKER
 - TYPE B1 EQUIPPED FOR 120V. SERVICE, COMPLETE WITH 1P, 40A. TRAFFIC SURVEILLANCE MAIN BREAKER
 - THE ELECTRIC SERVICE EQUIPMENT ASSEMBLY SHALL BE UL LISTED AS SUITABLE FOR USE AS SERVICE ENTRANCE EQUIPMENT.
 - THE ELECTRIC SERVICE EQUIPMENT ENCLOSURE SHALL BE NEMA 4X STAINLESS STEEL, NOMINALLY 12\"/>

BE-230

REVISIONS	
NAME	DATE

ILLINOIS DEPARTMENT OF TRANSPORTATION
 US 52 OVER PRAIRIE CREEK
 TEMPORARY COMBINATION LIGHTING &
 TRAFFIC POLE MOUNTED ELECTRIC
 SERVICE BOX DETAIL
 SCALE: NONE DRAWN BY
 CHECKED BY

PLOT DATE = 6/21/2007
 FILE NAME = c:\p\c\m\p149801\lighting.m32
 PLOT SCALE = 1/8\"/>