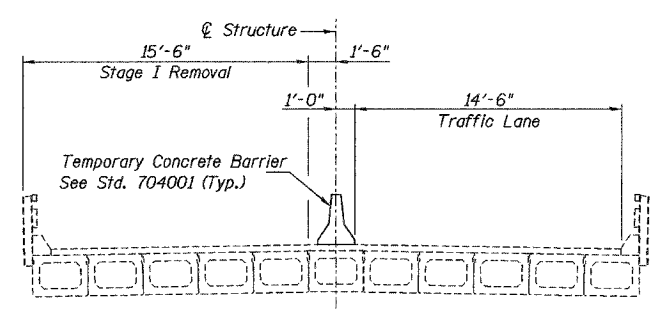
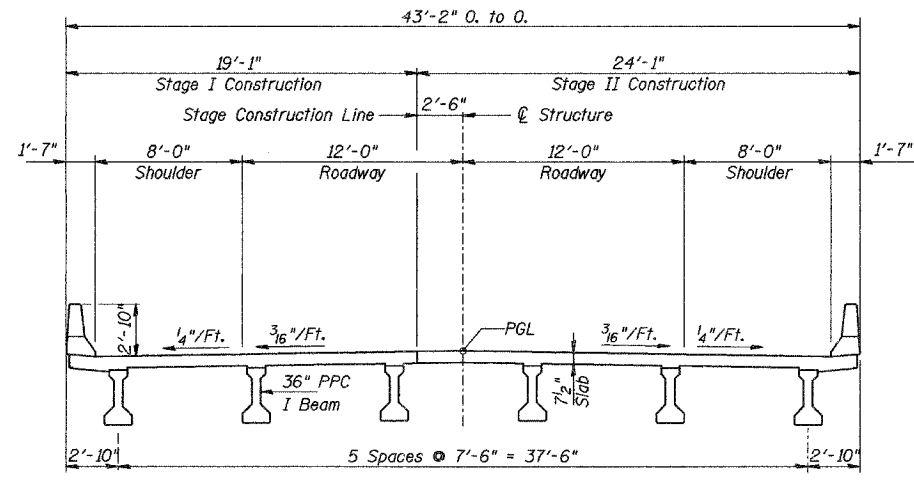


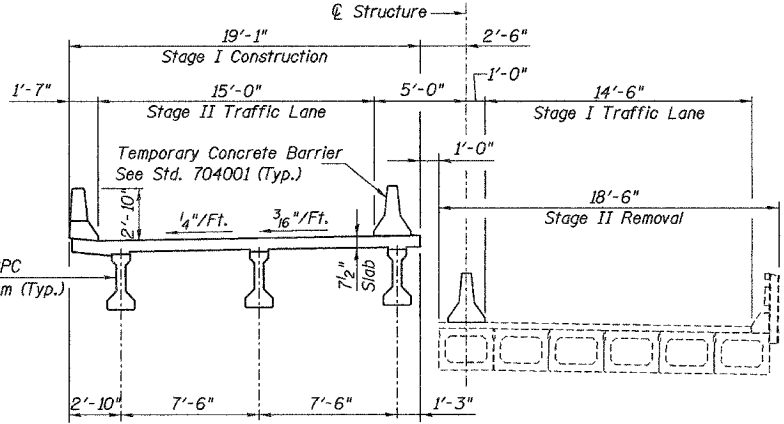
|                       |         |          |           |                   |              |
|-----------------------|---------|----------|-----------|-------------------|--------------|
| ROUTE NO.             | SECTION | COUNTY   | SHEET NO. | SHEET             | SHEET NO. S3 |
| 188-5-R               | WILL    | 66       | 33        |                   | S21 SHEETS   |
| FED. ROAD DIST. NO. 7 |         | ILLINOIS |           | FED. AID PROJECT- |              |
| CONTRACT NO. 62845    |         |          |           |                   |              |



**STAGE I REMOVAL**  
(Looking North)

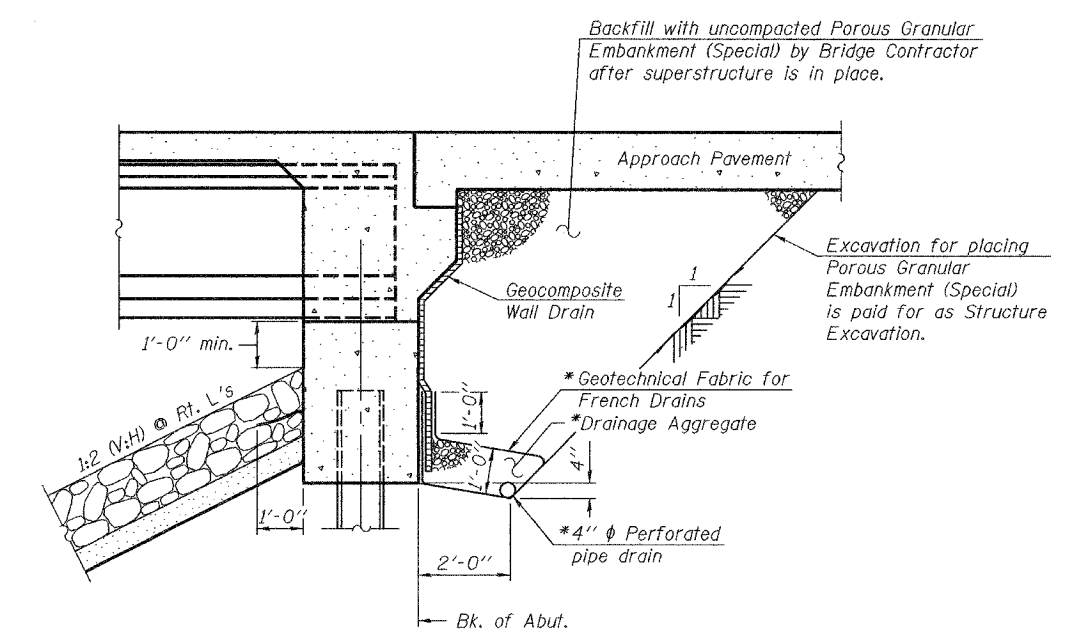


**FINAL CROSS SECTION**  
(Looking North)



**STAGE I CONSTRUCTION AND STAGE II REMOVAL**  
(Looking North)

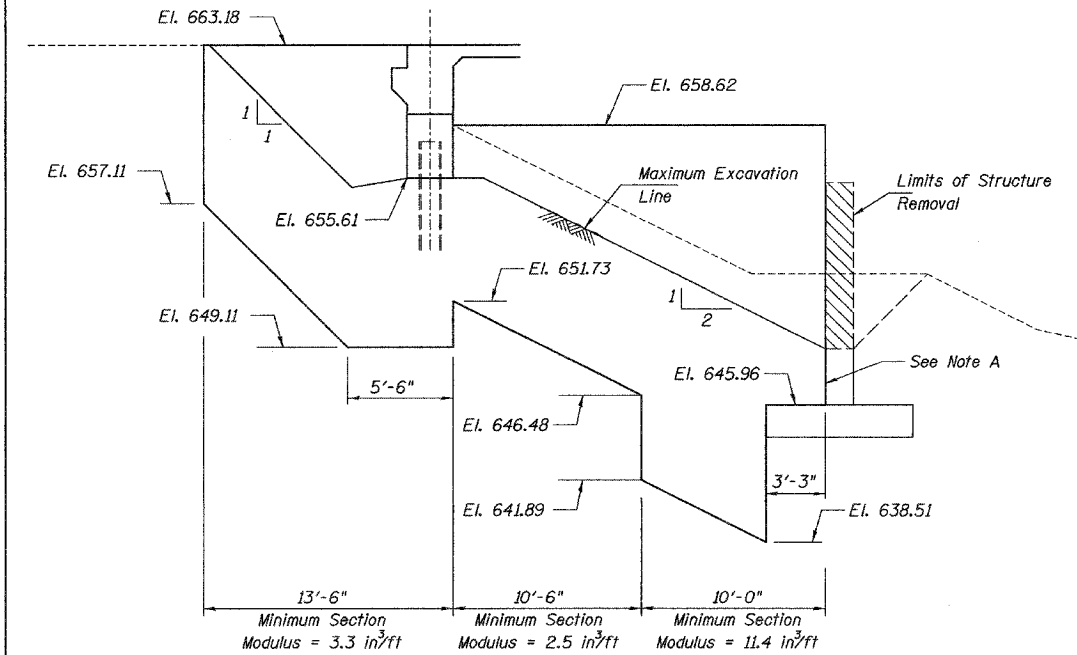
Note:  
For quantity of Temporary Concrete Barrier  
see Roadway Plans.



**SECTION THRU INTEGRAL ABUTMENT**  
(Horiz. dim. @ Rt. L's)

\* Included in the cost of Pipe Underdrains for Structures.

Note:  
All drainage system components shall extend to 2'-0" from the end of each wingwall except an outlet pipe shall extend until intersecting with the side slopes. The pipes shall drain into concrete headwalls. (See Article 601.05 of the Standard Specifications and Highway Standard 601101).

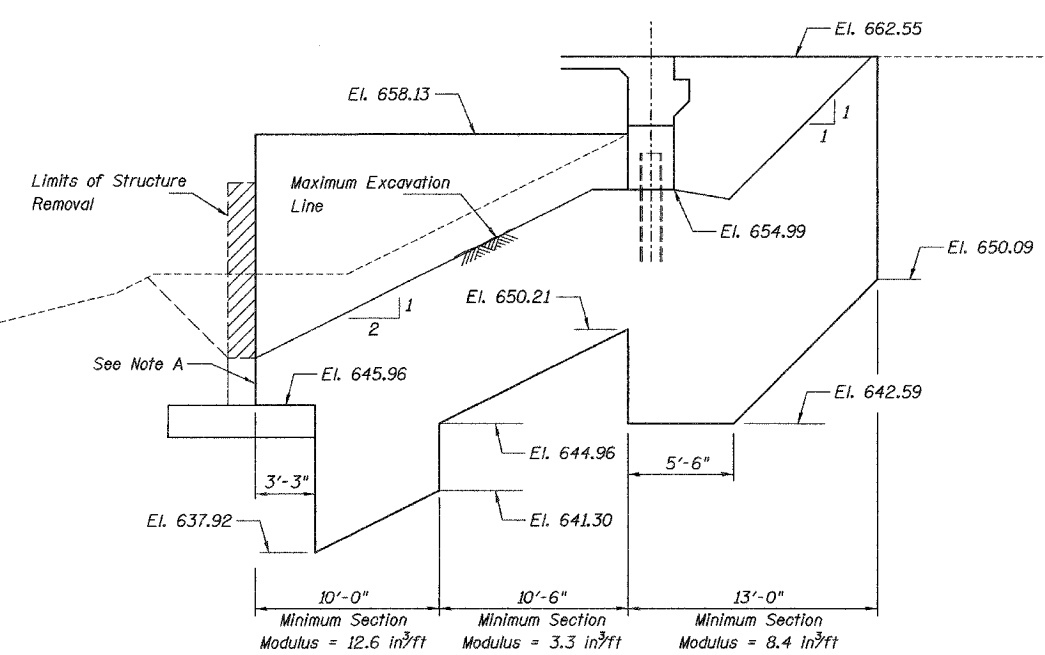


**SOUTH ABUTMENT**

Note A:  
The Contractor shall connect the first sheet to the existing abutment wall to ensure stability of sheets driven to the top of the existing footing. This connection shall be reviewed and accepted by the Engineer and included in the cost for Temporary Sheet Piling.

**ELEVATION-TEMPORARY SHEET PILING**  
(Note: Sheet piling sections and elevations are the estimated minimum requirements.)

Note:  
If the Contractor chooses to alter the temporary cantilevered sheet piling design requirements shown on the plans, a design submittal including plan details and calculations will be required for review and acceptance by the Engineer.



**NORTH ABUTMENT**

**COLLINS ENGINEERS**  
123 N. WACKER DR., SUITE 300  
CHICAGO, IL 60606  
(312) 704-9300  
ILLINOIS PROFESSIONAL DESIGN FIRM  
LICENSE NO. 184-000993

| REVISIONS |      |
|-----------|------|
| NAME      | DATE |
|           |      |
|           |      |
|           |      |
|           |      |
|           |      |

ILLINOIS DEPARTMENT OF TRANSPORTATION  
US ROUTE 52 (STATE STREET)  
OVER PRAIRIE CREEK  
FAP RTE. 852 SEC. 18B-5-R  
WILL COUNTY  
STA. 1008+00.00 STRUCTURE NO. 099-4643  
**STAGING DETAILS**  
DRAWN BY: KAC  
CHECKED BY: JMH/DGS  
DATE: OCTOBER, 2004

FILE: 0-8-3760@FINAL\_PLANS@37600104.dgn  
DATE: 14-Jul-04 08:52