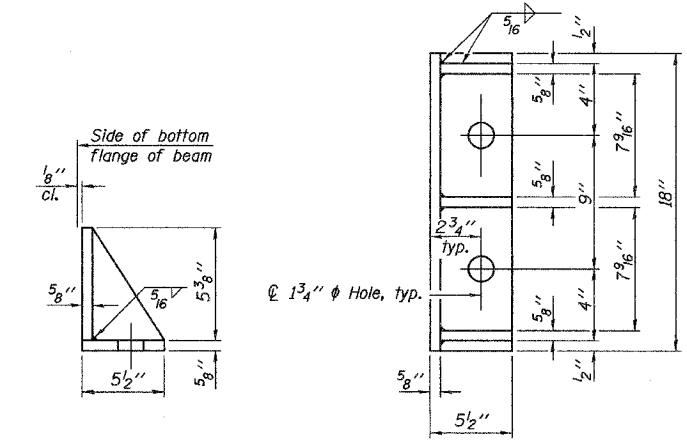
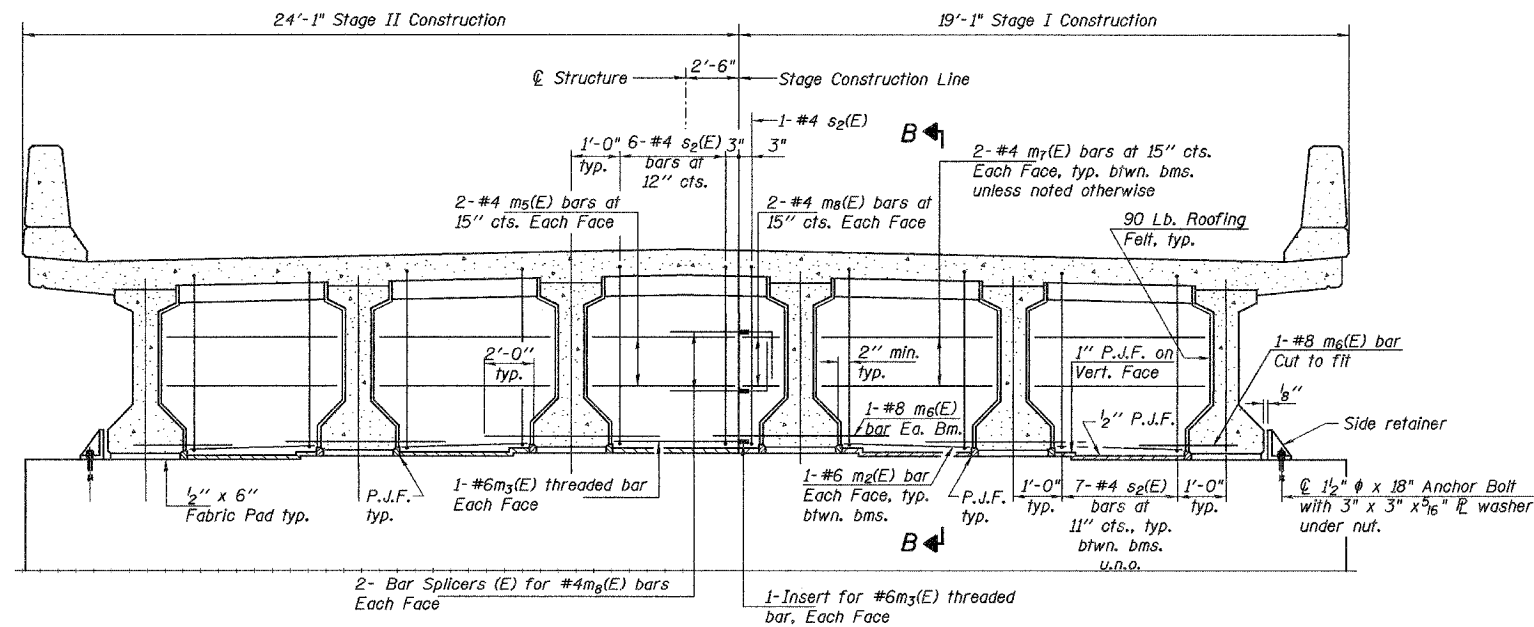


DIAPHRAGM ELEVATION AT ABUTMENT
(Looking South)



SIDE RETAINER
Equivalent rolled angle with stiffeners will be allowed in lieu of welded plates.

MINIMUM BAR LAPS
#6 bar = 2'-9"



DIAPHRAGM AT PIER
(Looking South)

Notes:
 Reinforcement bars in diaphragm are billed with superstructure on sheet S9 of S21.
 Concrete in diaphragm is included with Concrete Superstructure on sheet S9 of S21.
 For details of bars s(E), s1(E) and s2(E) see sheet S9 of S21.
 The s(E), s1(E) and s2(E) bars shall be placed parallel to the beams. Spacing for these bars shall be at right angles to the beams.
 See sheet S8 of S21 for Sections A-A and B-B.
 Cost of 90 Lb. roofing felt is included with Concrete Superstructure. The side retainer shall be galvanized after shop fabrication according to AASHTO M 111. Cost of side retainer and anchor bolts shall be included with Concrete Structures.
 Anchor bolts shall be ASTM F1554 all-thread (or an Engineer-approved alternate material) of the grade(s) and diameter(s) specified. ASTM A307 Grade C anchor bolts may be used in lieu of ASTM F1554 Grade 36 (Fy=36ksi). The corresponding specified grade of AASHTO M314 anchor bolts may be used in lieu of ASTM F1554.
 Anchor bolts for side retainers may be cast in place or installed in holes drilled before deck pour and after members are in place. Drilled and set anchor bolts shall be installed according to Article 521.06 of the Standard Specifications.

FILE: g:\3760\FINAL PLANS\37600102.dgn DATE: 14-Jul-04 12:03

COLLINS ENGINEERS
 123 N. WACKER DR., SUITE 300
 CHICAGO, IL 60606
 (312) 704-9300
 ILLINOIS PROFESSIONAL DESIGN FIRM
 LICENSE NO. 184-000933

REVISIONS	
NAME	DATE

ILLINOIS DEPARTMENT OF TRANSPORTATION
 US ROUTE 52 (STATE STREET)
 OVER PRAIRIE CREEK
 FAP RTE. 852 SEC. 18B-5-R
 WILL COUNTY
 STA. 1008+00.00 STRUCTURE NO. 099-4643
SUPERSTRUCTURE DETAILS - II
 DRAWN BY: KAC
 CHECKED BY: JMH/DGS
 DATE: OCTOBER, 2004