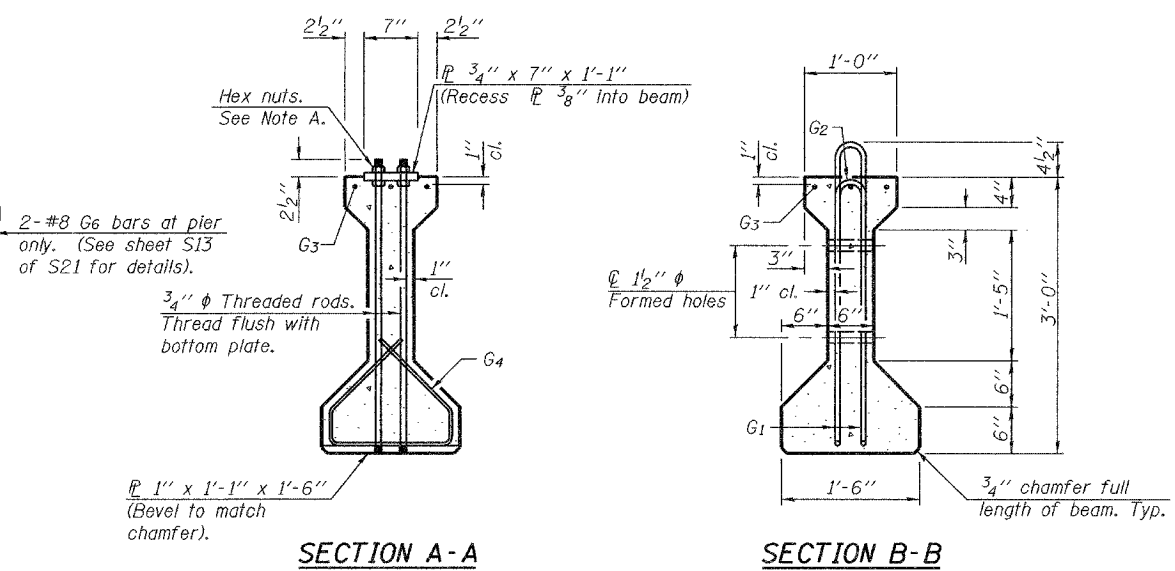


ELEVATION OF BEAM
(Showing reinforcement & dimensions)

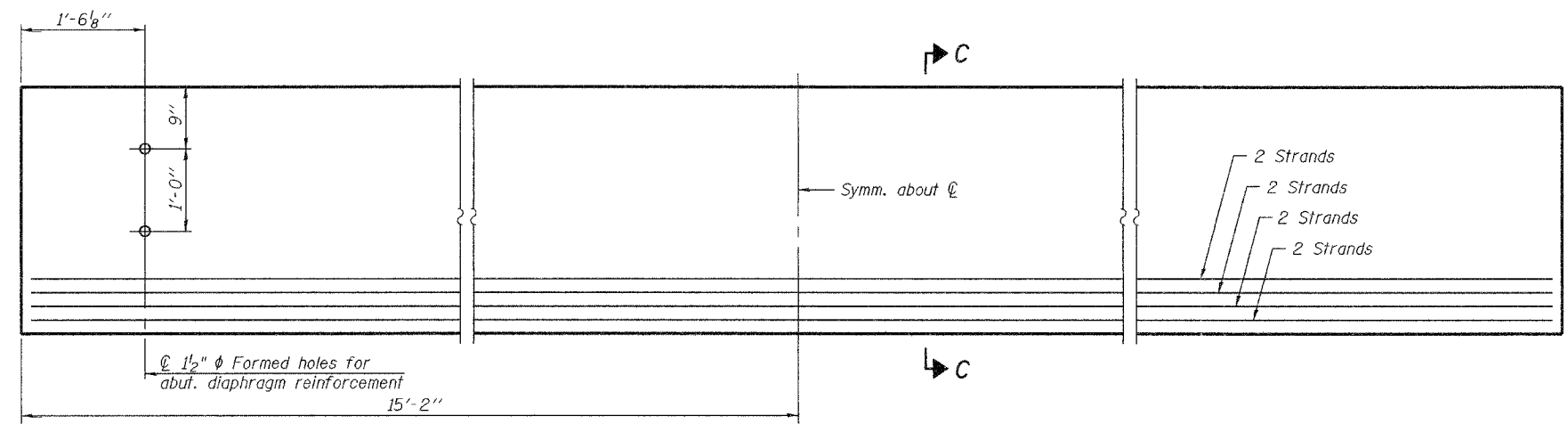
* 3 spaces at 3" = 9".
** 4-3/4" ϕ threaded dowel rods at 3" cts., each face.

Note A:
Hex nuts (top and bottom) with lock washers (top). Only tighten sufficiently to compress lock washers.

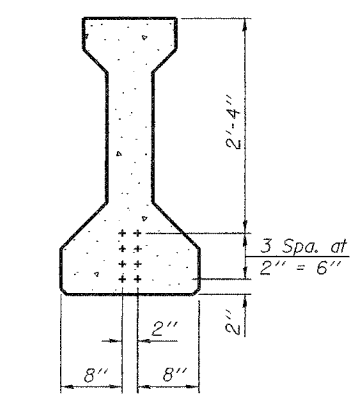


SECTION A-A

SECTION B-B



ELEVATION OF BEAM
(Showing prestressing steel)



SECTION C-C

***** BAR LIST ONE BEAM ONLY**

Bar	No.	Size	Length	Shape
G ₁	42	#4	7'-5"	∩
G ₂	8	#4	5'-8"	∩
G ₃	3	#5	30'-2"	∩
G ₄	38	#3	4'-1"	∩
G ₆	2	#8	3'-9"	∩

*** For information only

Notes:
See sheet S13 of S21 for additional details and Bill of Material.
Required release strength, f'_{ci} , shall be 5,000 psi.

REVISIONS	
NAME	DATE