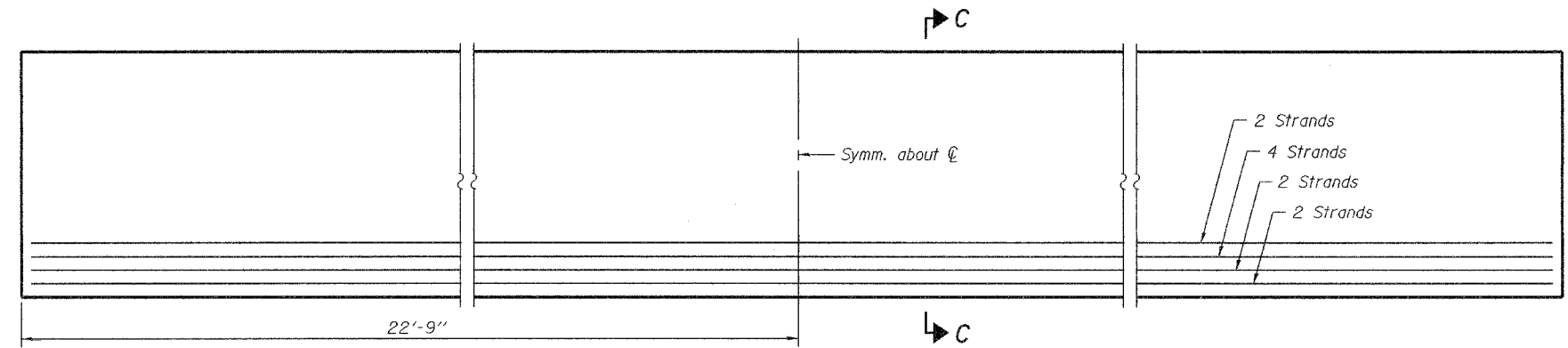
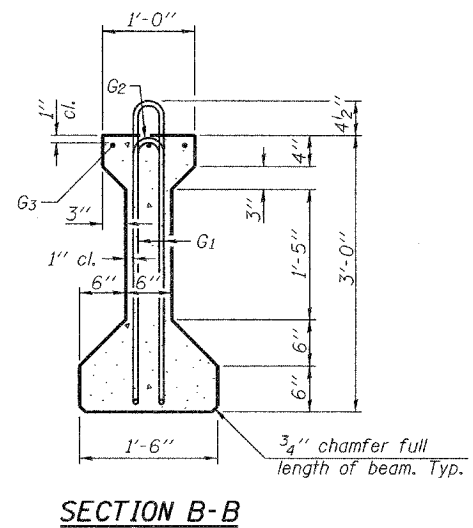
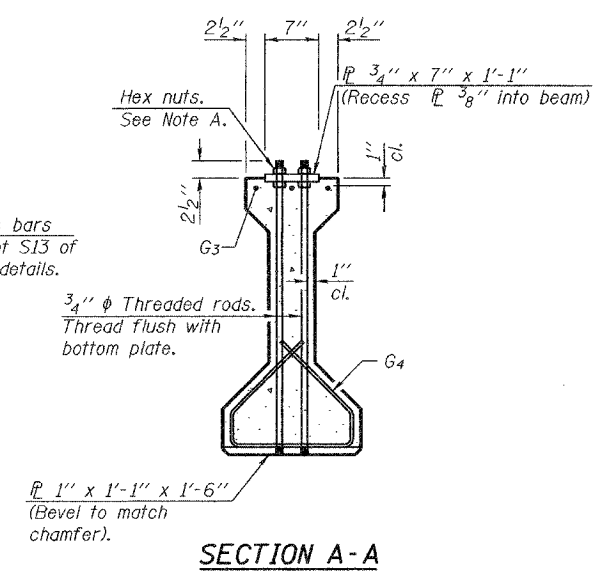


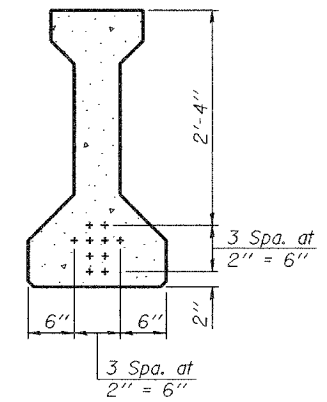
ELEVATION OF BEAM
(Showing reinforcement & dimensions)

* 3 spaces at 3" = 9".
** 4-3/4" φ threaded dowel rods at 3" cts., each face.

Note A:
Hex nuts (top and bottom) with lock washers (top). Only tighten sufficiently to compress lock washers.



ELEVATION OF BEAM
(Showing prestressing steel)



***** BAR LIST ONE BEAM ONLY**

Bar	No.	Size	Length	Shape
G ₁	80	#4	7'-5"	∩L
G ₂	8	#4	5'-8"	∩
G ₃	6	#5	23'-9"	—
G ₄	38	#3	4'-1"	∩
G ₆	4	#8	3'-9"	—

*** For information only

Notes:
See sheet S13 of S21 for additional details and Bill of Material.
Required release strength, f'ci, shall be 5,000 psi.

REVISIONS	
NAME	DATE