

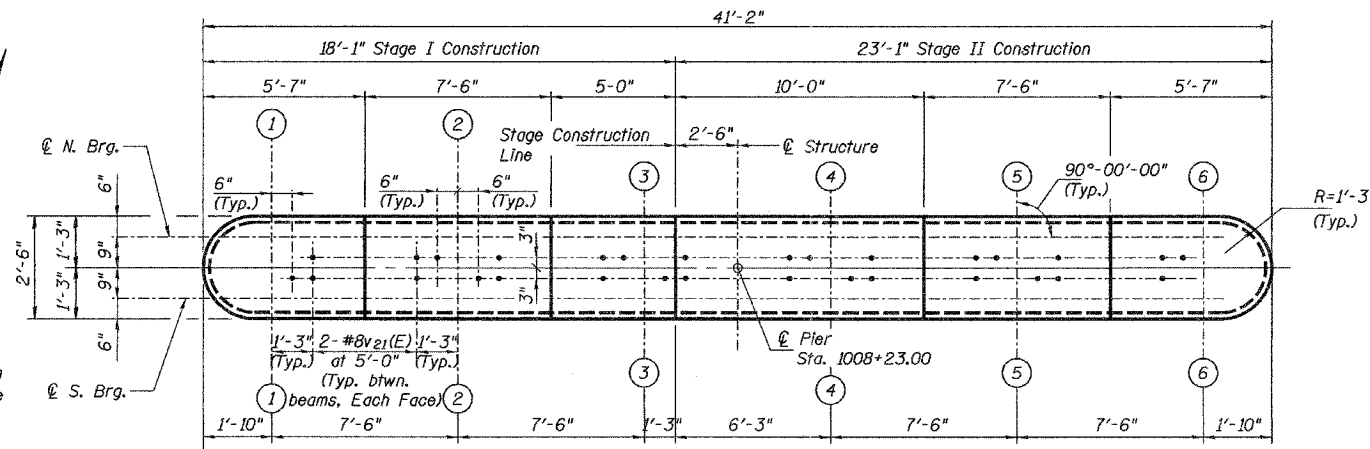
Notes: Space reinforcement in cap to miss anchor bolts.
Four steps monolithically with cap.

PILE DATA

Type: HP 12x74
Nominal Required Bearing: 456 kips
Allowable Resistance Available: 152 kips
Est. Length: 52'-3"
No. Production Piles: 5
No. Test Piles: 1

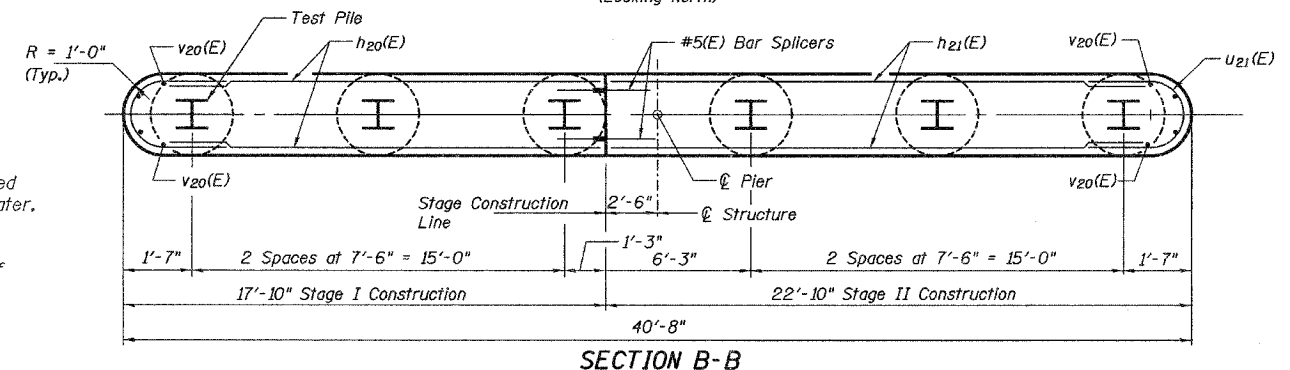
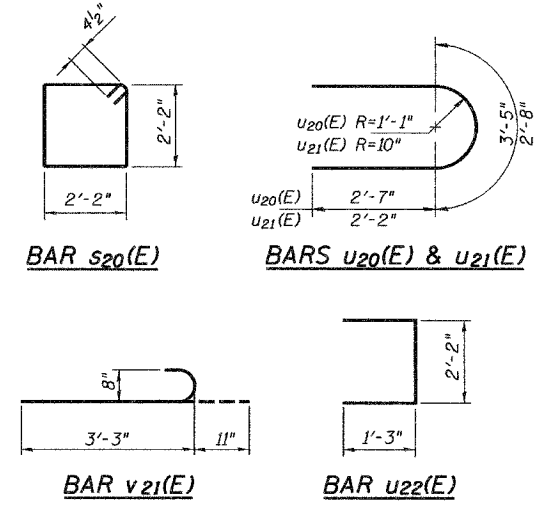
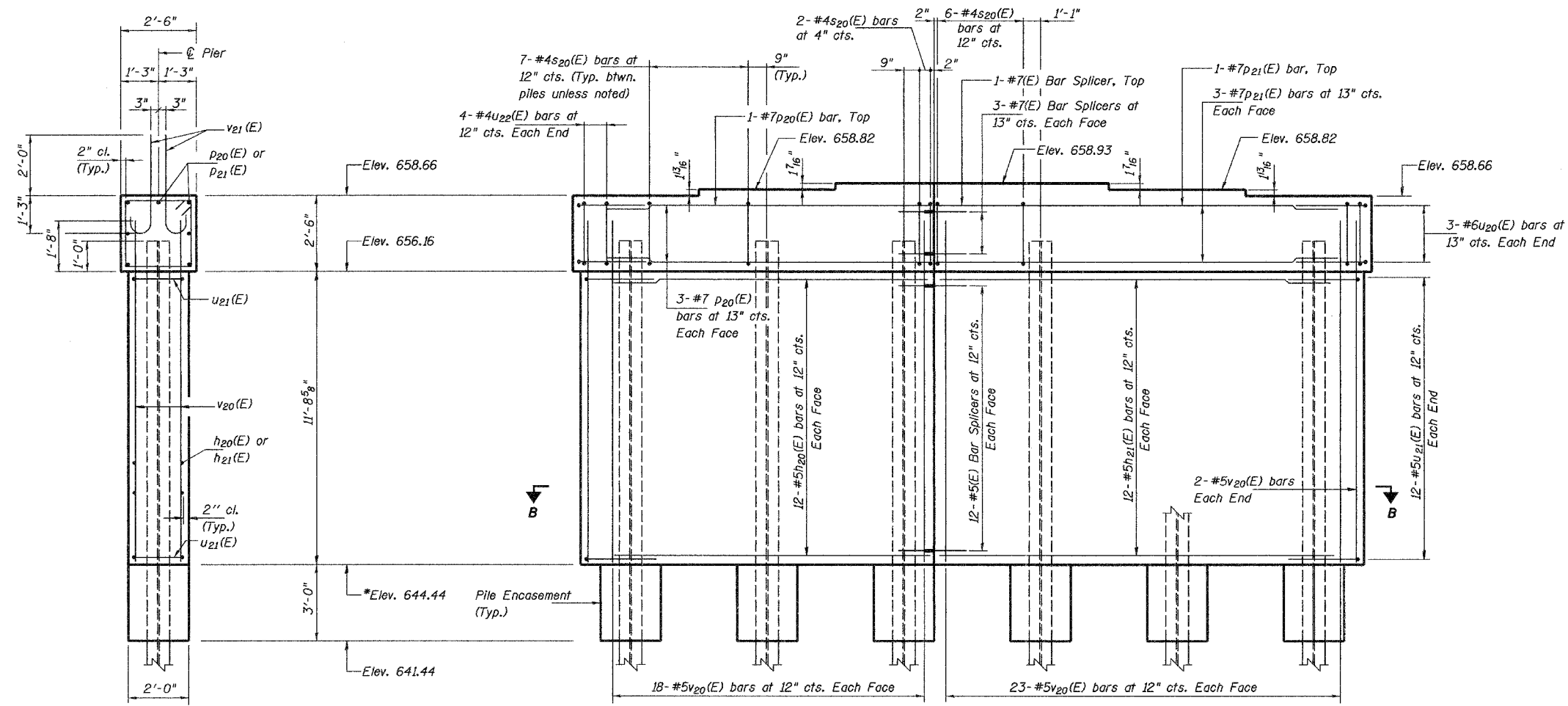
Note:
The test pile should be retapped 24 hours after initial drive for at least 50 blows or 6", whichever occurs first, to determine if relaxation (loss in capacity) occurs. If relaxation occurs, the piles will need to be driven deeper and retapped another 24 hours after the second drive. If relaxation still occurs, the Contractor shall contact the IDOT Bridge Office to evaluate the appropriate action that should be taken.

ROUTE NO.	SECTION	COUNTY	SHEET NO.	SHEET NO.
18B-5-R	WILL	66	4-7	S21 SHEETS
FED. AID DIST. NO. 7		ILLINOIS		FED. AID PROJECT-
CONTRACT NO. 62845				



BILL OF MATERIAL

Bar	No.	Size	Length	Shape
h ₂₀ (E)	24	#5	16'-8"	—
h ₂₁ (E)	24	#5	21'-8"	—
D ₂₀ (E)	7	#7	16'-8"	—
D ₂₁ (E)	7	#7	21'-8"	—
s ₂₀ (E)	36	#4	9'-5"	□
u ₂₀ (E)	6	#6	8'-7"	U
u ₂₁ (E)	24	#5	7'-0"	U
u ₂₂ (E)	8	#4	4'-8"	□
v ₂₀ (E)	86	#5	13'-2"	—
v ₂₁ (E)	30	#8	4'-2"	—
Concrete Structures		Cu. Yd.	45.6	
Structure Excavation		Cu. Yd.	135	
Reinforcement Bars, Epoxy Coated		Pound	3460	
Underwater Structure Excavation Protection Location 2		Each	1	
Concrete Encasement		Cu. Yd.	2.1	
Furnishing Steel Piles, HP12x74		Foot	262	
Driving Piles		Foot	262	
Test Pile Steel HP12x74		Each	1	



* Forms shall be placed below Elev 644.44 after excavation for pier wall. Reinforcement and concrete encasement shall be poured underwater into forms. If a portion of the pier wall is under water, concrete shall be tremied under water into forms according to Article 503.08 of the Standard Specifications. Concrete shall be tremied to an elevation 1'-0" above the water level at the time of construction.

COLLINS ENGINEERS
123 N. WACKER DR., SUITE 300
CHICAGO, IL 60606
(312) 704-9300
ILLINOIS PROFESSIONAL DESIGN FIRM
LICENSE NO. 184-000993

REVISIONS	
NAME	DATE

ILLINOIS DEPARTMENT OF TRANSPORTATION
US ROUTE 52 (STATE STREET)
OVER PRAIRIE CREEK
FAP RTE. 852 SEC. 18B-5-R
WILL COUNTY
STA. 1008+00.00 STRUCTURE NO. 099-4643
PIER 2 DETAILS
DRAWN BY: KAC
CHECKED BY: JMH/DGS
DATE: OCTOBER, 2004

FILE: g:\37606\FINAL PLANS\37600111.dgn
DATE: 18-Jun-04 12:40