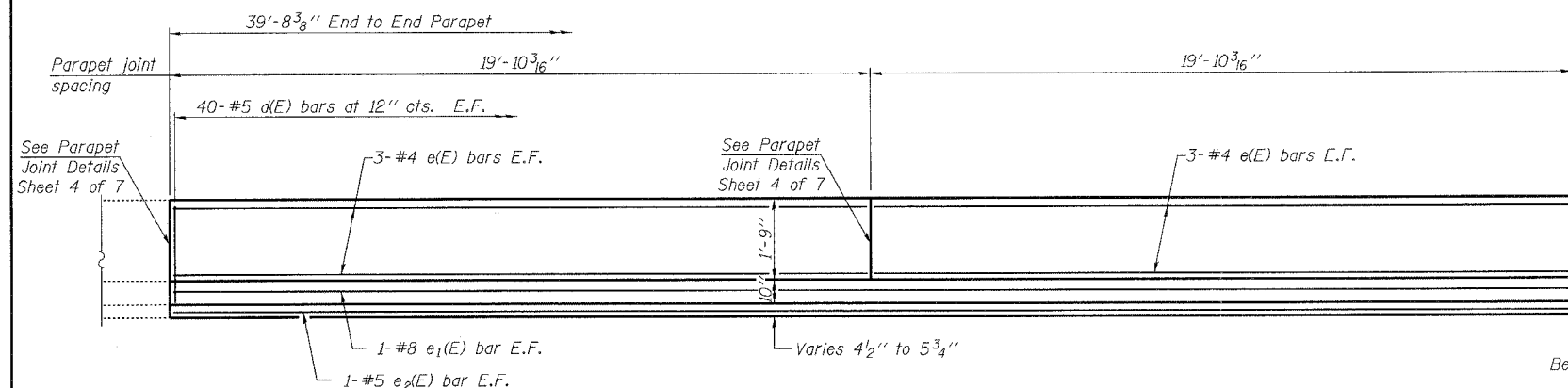
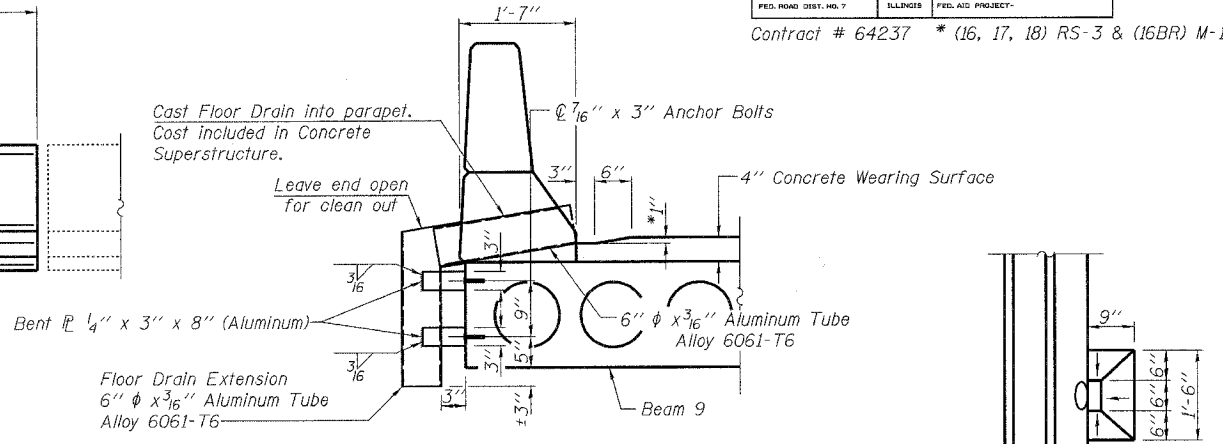


ROUTE NO.	SECTION	COUNTY	TOTAL SHEETS	SHEET NO.	SHEET NO. 5
FAS 2079	*	OGLE	232	73	7 SHEETS
FED. ROAD DIST. NO. 7	BALANCE	FED. AID PROJECT			

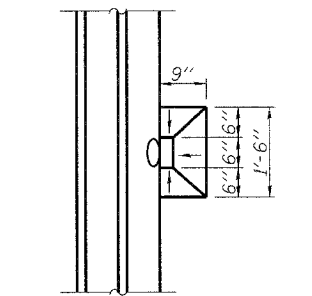
Contract # 64237 * (16, 17, 18) RS-3 & (16BR) M-1



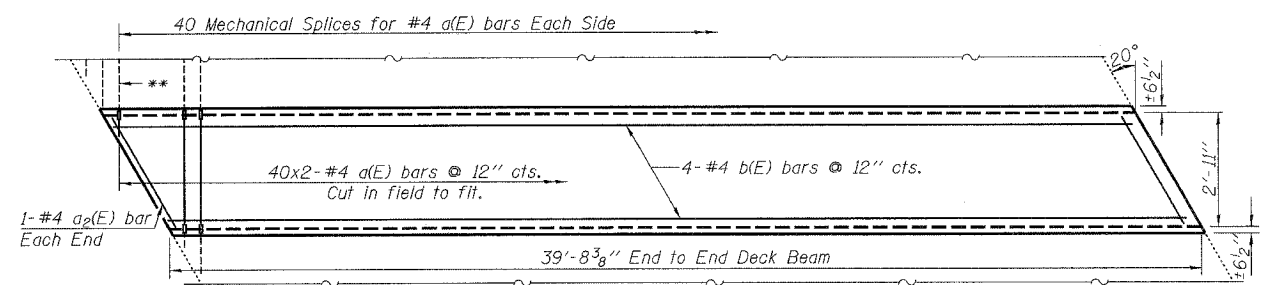
PARAPET INSIDE ELEVATION
(Span 1 - Looking South)



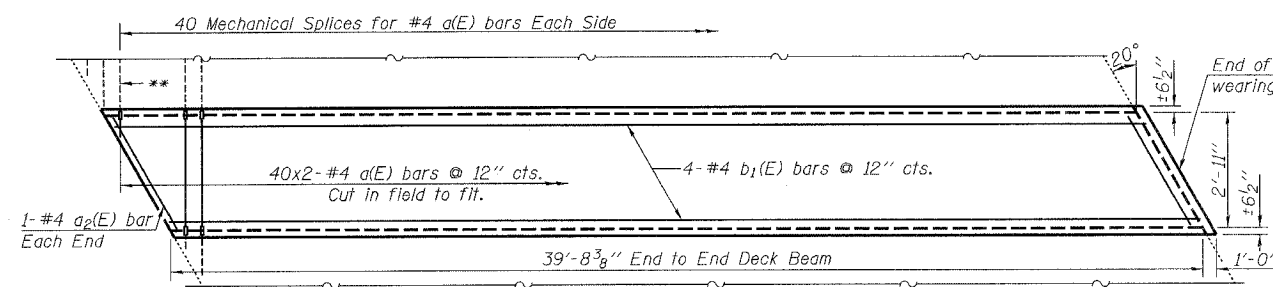
SECTION AT FLOOR DRAIN
*Match invert of Floor Drain



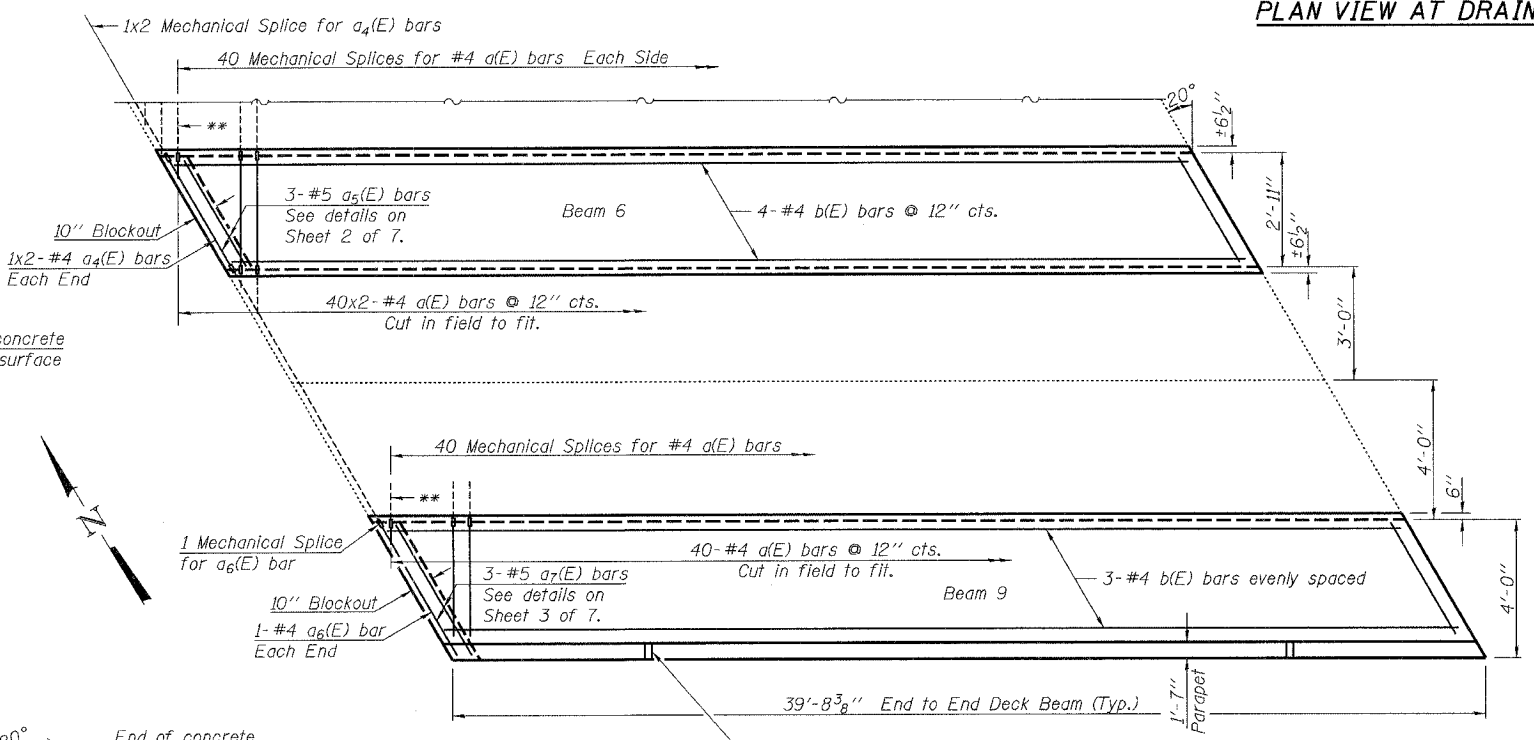
PLAN VIEW AT DRAIN



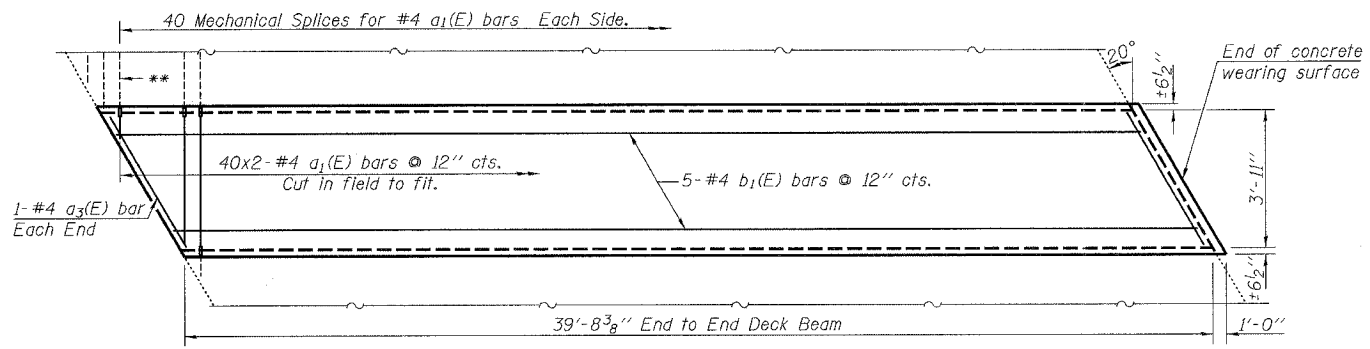
PLAN - BEAMS 12 & 15
Existing reinforcement to extend 6" min. into removal area.



PLAN - BEAM 21
Existing reinforcement to extend 6" min. into removal area.



PLAN - BEAMS 6 & 9
Existing reinforcement to extend 6" min. into removal area.



PLAN - BEAM 26
Existing reinforcement to extend 6" min. into removal area.

**Existing reinforcement extending into the removal area shall be cleaned, straightened and incorporated into the new construction. Any reinforcement bars that are damaged during concrete removal shall be replaced with an approved Bar Splicer or anchorage system. Cost included with Concrete Removal.

NOTES:
See Sheet 4 of 7 for Parapet details and Bill of Materials. The Contractor shall install 2 new 6" ϕ Floor Drains by casting them into the parapet wall as shown on the plans or as directed by the Engineer. All cost associated with installing the drains shall be included in Concrete Superstructure.

 Excellence through Ownership 200 West Front Street Wheaton, IL 60187	ILLINOIS DEPARTMENT OF TRANSPORTATION
	SUPERSTRUCTURE DETAILS II U.S. ROUTE 52 OVER ELKHORN CREEK FAS RTE 2079 - OGLE COUNTY SECTION (16, 17, 18) RS-3 & (16BR)M-1 STATION 971+50.04 STRUCTURE NO. 071-0070
	DATE: 9/18/2007 DRAWN BY: JMT CHECKED BY: BLB

K:\1179215\Structure\Final Plans\Revised Final Plans.rvt 9/18/2007