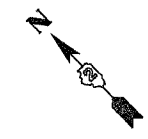
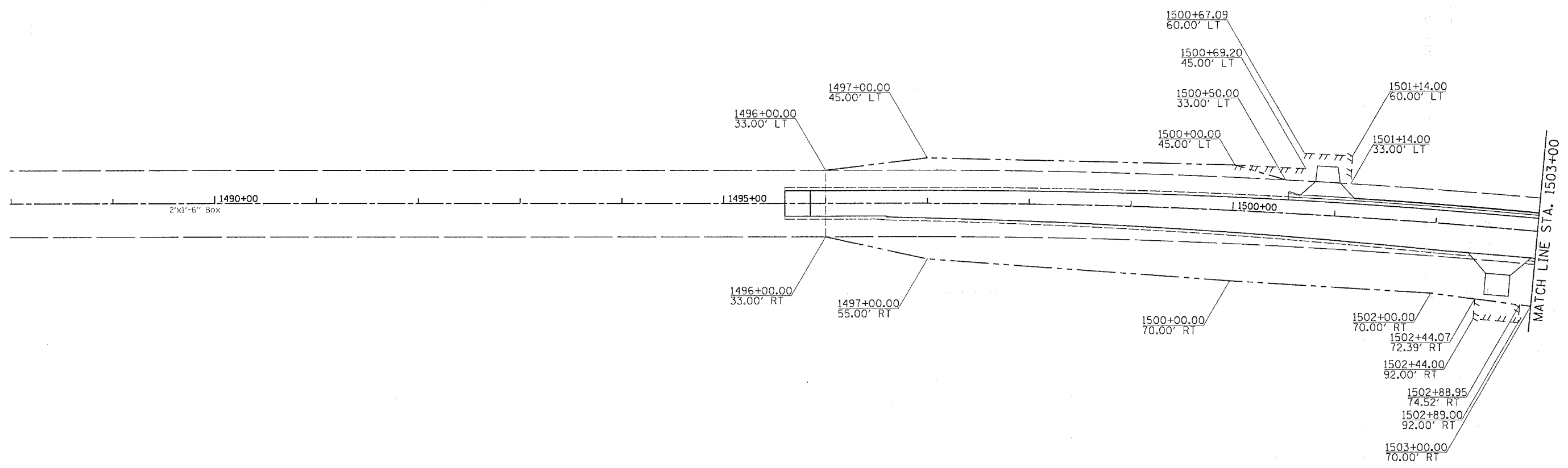


R.O.W. & EASEMENT DETAILS



CONTRACT NO. 64237			
F.A.S. RTE.	SECTION	COUNTY	TOTAL SHEETS
2079	**	CARROLL & OGLE	232
STA.	TO STA.		
FED. ROAD DIST. NO.	ILLINOIS FED. AID PROJECT		
US 52	16, 17, 18 RS-3 & 16 BRIM-1		



PLOT DATE = Wed Mar 07 15:25:49 2007
 FILE NAME = c:\projects\161718rs-3\161718rs-3.dwg
 PLOT SCALE = 1/8\"/>

REVISIONS	
NAME	DATE

ILLINOIS DEPARTMENT OF TRANSPORTATION
FAS ROUTE 2079 (US 52)
SECTION (16, 17, 18)RS-3
CARROLL & OGLE COUNTIES

SCALE: VERT. _____
 HORIZ. _____
 DATE _____

DRAWN BY _____
 CHECKED BY _____

R.O.W. & EASEMENT DETAILS