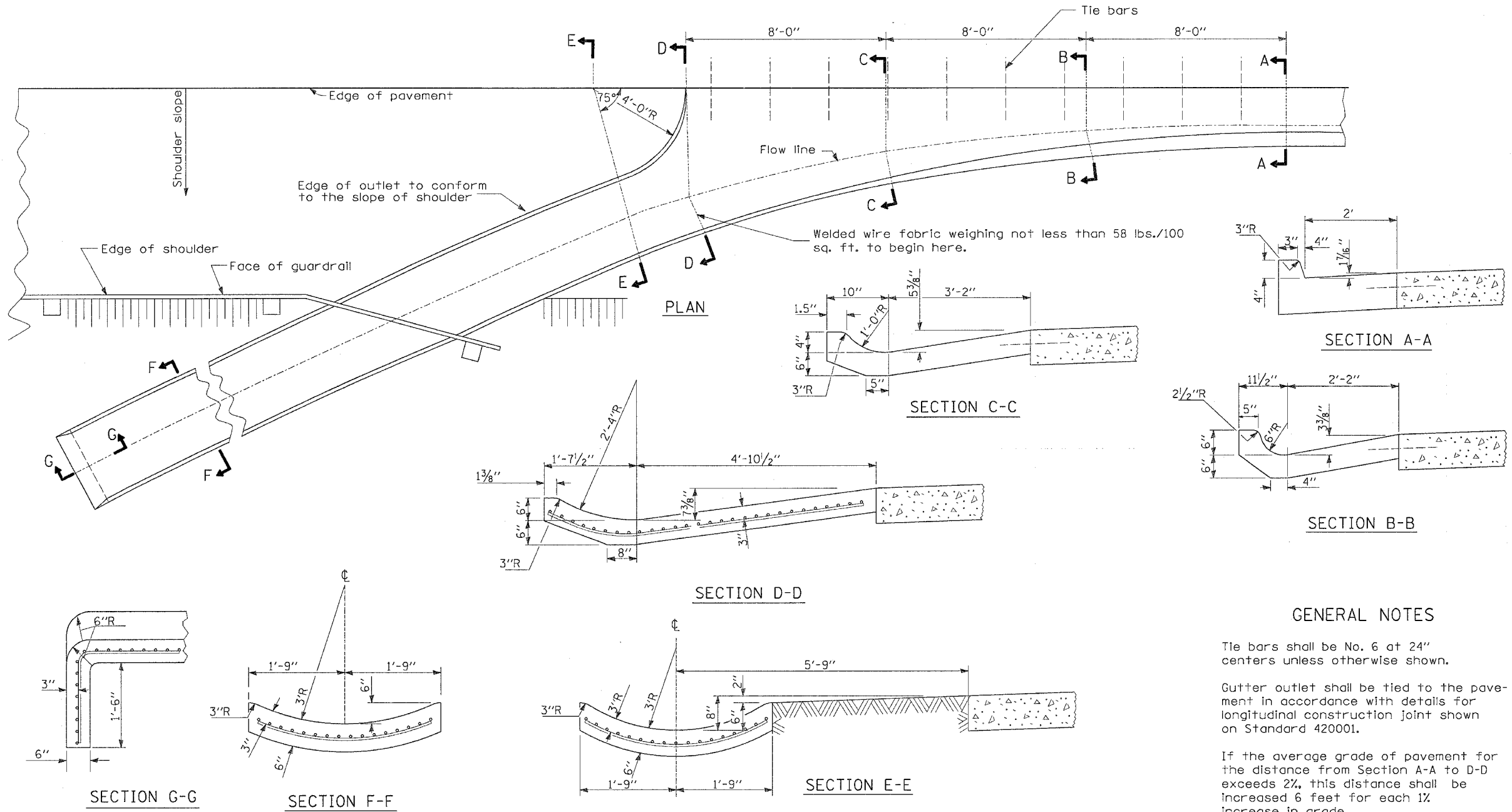


F.A.P. RTE.	SECTION	COUNTY	TOTAL SHEETS	SHEET NO.
2079	..	CARROLL & OGLE	232	120
STA.		TO STA.		
FED. ROAD DIST. NO.		ILLINOIS FED. AID PROJECT		
(US 52)		** (16,17,18) RS-3 & (16BR) M-1		

# GUTTER OUTLET ADJACENT TO STABILIZED SHOULDERS DETAIL



### GENERAL NOTES

Tie bars shall be No. 6 at 24" centers unless otherwise shown.

Gutter outlet shall be tied to the pavement in accordance with details for longitudinal construction joint shown on Standard 420001.

If the average grade of pavement for the distance from Section A-A to D-D exceeds 2%, this distance shall be increased 6 feet for each 1% increase in grade.

### QUANTITIES

For Section A-A to E-E and curtain wall =  
2.12 cu. yds. concrete for 9" pav't.

For Section F-F =  
0.069 cu. yds. concrete per ft.

OUTLETS FOR CONC. CURB AND GUTTER TYPE M 4.24

PLOT DATE = Wed Mar 87 15:56:37 2087  
 FILE NAME = c:\p\cadd\14202225\14202225.dgn  
 PLOT SCALE = 56.8988 / IN.  
 REFERENCE = \$REF\$