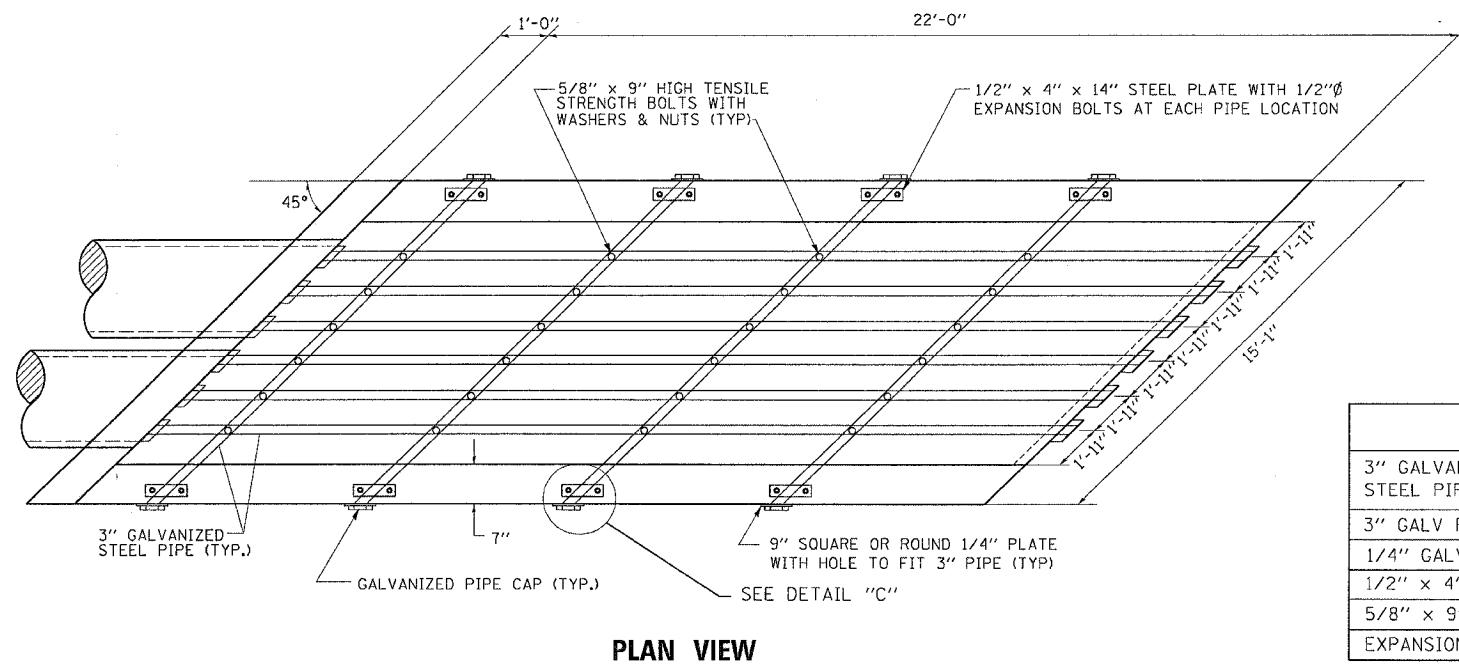
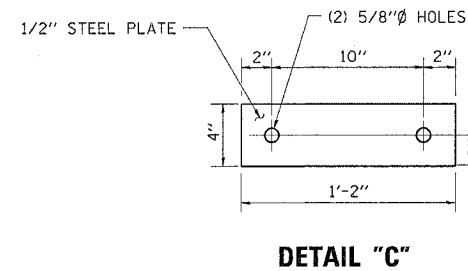
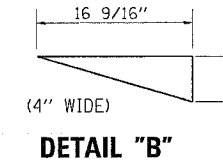
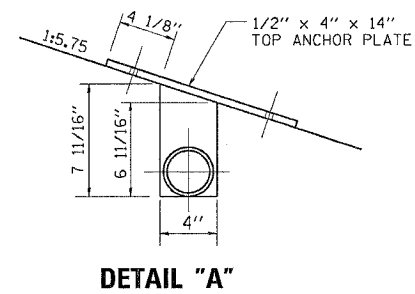
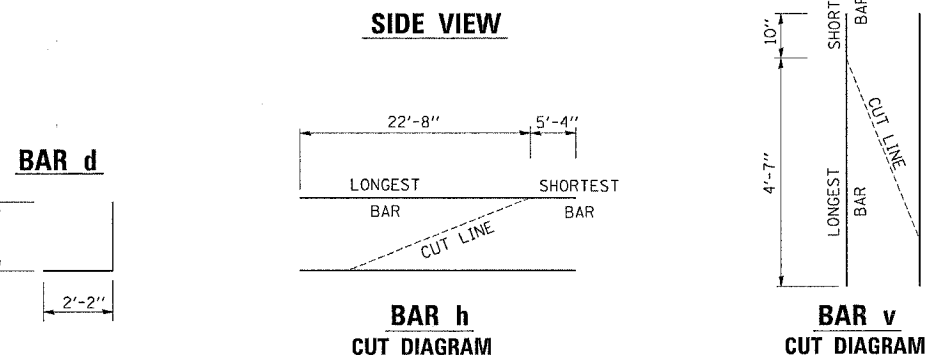
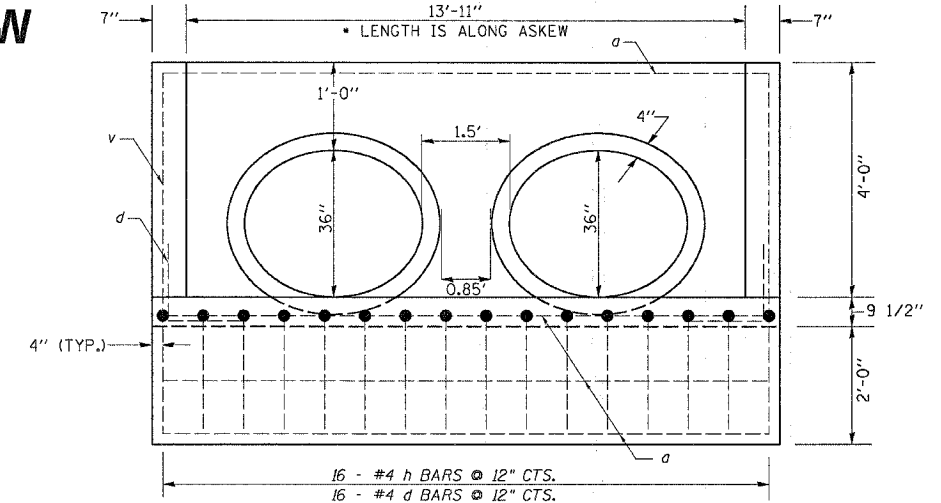
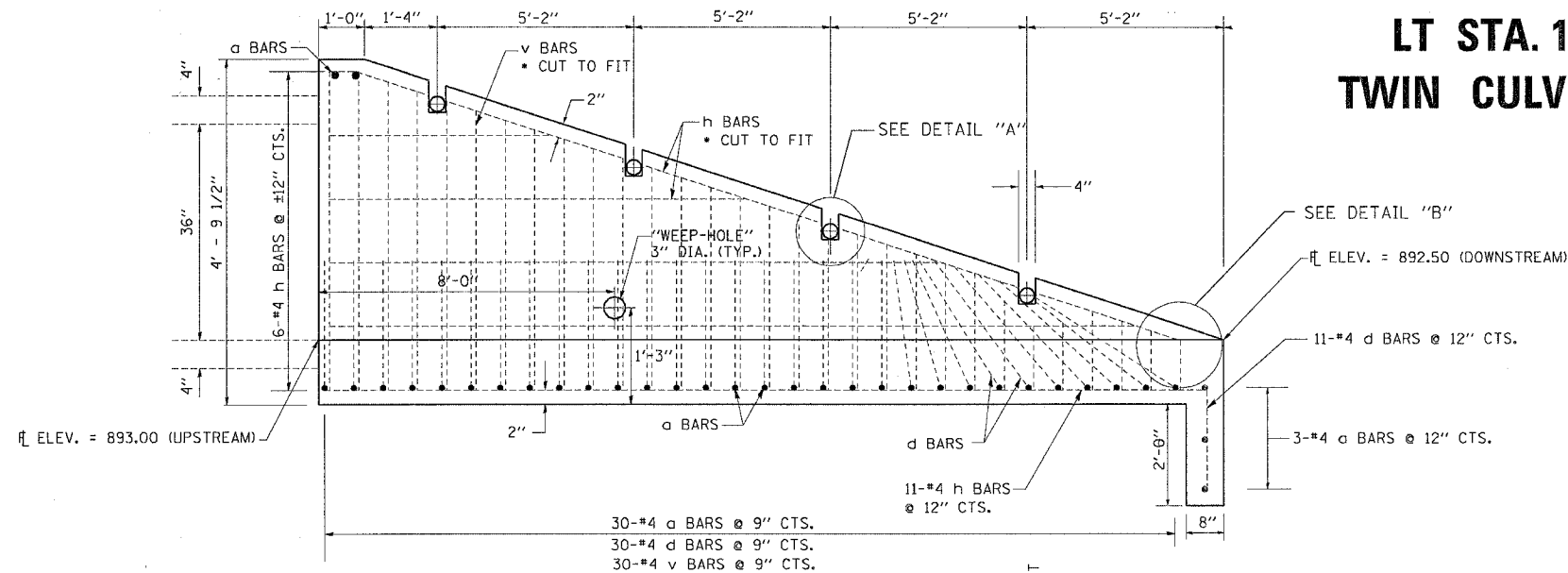


GRATED CULVERT EXTENSION NO. 2

**LT STA. 178+82 (US 52)
TWIN CULVERT @ 45° SKEW**

CONTRACT NO. 64237				
F.A.S. RTE.	SECTION	COUNTY	TOTAL SHEETS	SHEET NO.
*2079	**	CARROLL & OGLE	232	126
STA.		TO STA.		
FED. ROAD DIST. NO.		ILLINOIS FED. AID PROJECT		
*(US 52)		**(16,17,18)RS-3 & (16BR)M-1		



GENERAL NOTES:

CLASS SI CONCRETE SHALL BE USED THROUGHOUT. EXPOSED EDGES SHALL BE BEVELED 3/4".

BOLTS, NUTS AND WASHERS SHALL BE IN ACCORDANCE WITH ARTICLE 1006.08 OF THE STANDARD SPECIFICATION AND SHALL BE GALVANIZED

REINFORCEMENT BARS SHALL CONFORM TO THE REQUIREMENTS OF AASHTO M-31 OR M-53, GRADE 60.

STEEL PLATES SHALL CONFORM TO AASHTO M-183 AND SHALL BE GALVANIZED CONFORMING TO AASHTO M-111.

STEEL PIPE SHALL CONFORM TO ASTM A-53 (TYPE E OR S), GRADE B, SCHEDULE 40 AND SHALL BE GALVANIZED CONFORMING TO AASHTO M-111..

THE CONTRACT UNIT PRICE "EACH" FOR GRATED CULVERT EXTENSION NO. 2 SHALL INCLUDE THE EXPANSION BOLTS, GALVANIZED PIPE & CAPS, CLASS SI CONCRETE, REINFORCEMENT BARS, BOLTS NUTS, WASHERS, INSTALLATION ON THE PROPOSED CULVERT, EARTH EXCAVATION WHERE REQUIRED, AND ANY NECESSARY GRADING TO FIT INLET AS SHOWN IN THE CROSS SECTIONS OR TO SLOPE.

BILL OF MATERIALS (FOR ONE EXTENSION)

DESCRIPTION	UNIT	QTY.
3" GALVANIZED STEEL PIPE	FOOT	4 @ 15'-5"
3" GALV PIPE CAPS	EACH	20
1/4" GALV. STEEL PLATE (9" NOMINAL)	EACH	8
1/2" x 4" x 14" GALV. STEEL PLATE	EACH	8
5/8" x 9" GALV. STEEL BOLTS	EACH	24
EXPANSION BOLTS 1/2" Ø	EACH	16

BILL OF MATERIALS (FOR REINFORCEMENT)

BAR	NO.	SIZE	LENGTH
a	35	#4	14'-9"
d	76	#4	4'-4"
h	22	#4	28'-0"
v	30	#4	5'-5"
DESCRIPTION			
CLASS "SI" CONCRETE			CU YD 11.5
REINFORCEMENT BARS			LB 1085.0

PLOT DATE = Wed Mar 07 13:51:26 2007
FILE NAME = c:\projects\178+82\178+82\RS\178+82R2.dgn
USER NAME = dsteved