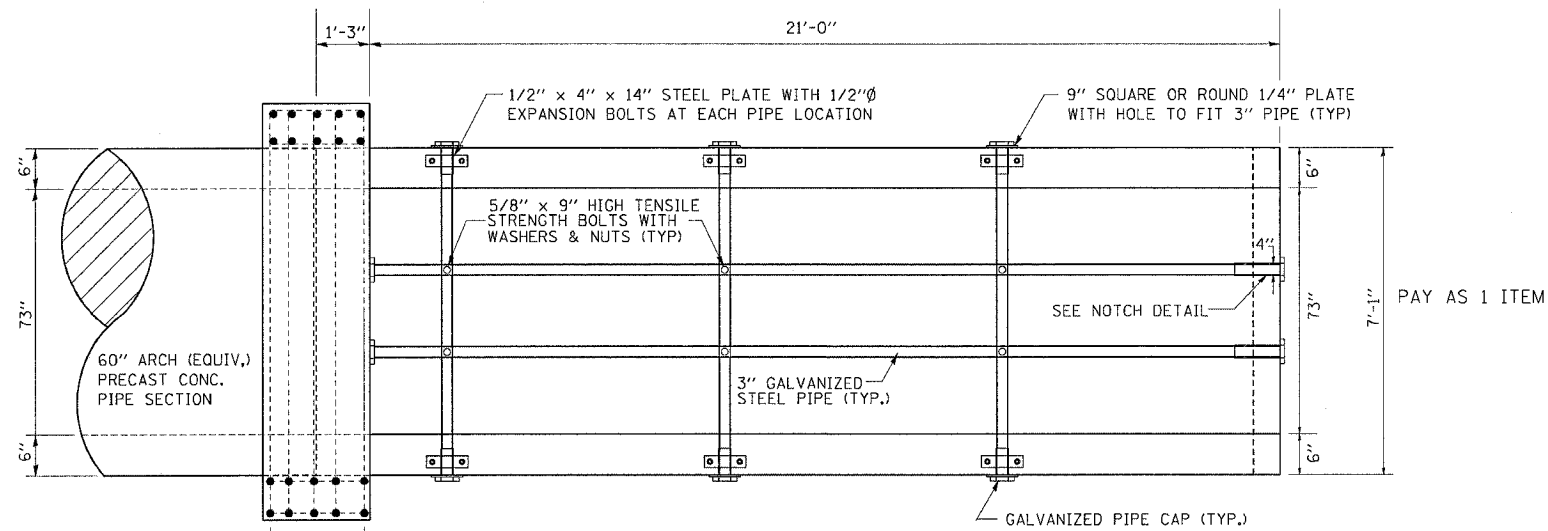


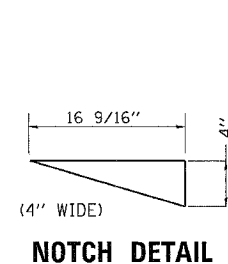
# GRADED CULVERT EXTENSION NO. 3

LT. & RT. STA. 203 + 39.4276 (US 52)

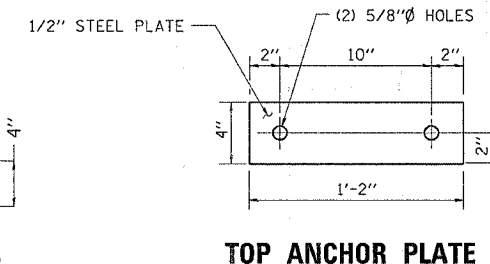
CONTRACT NO. 64237			
F.A.S. RTE.	SECTION	COUNTY	TOTAL SHEET NO.
*2079	**	CARROLL & OGLE	232 127
STA.		TO STA.	
FED. ROAD DIST. NO.		ILLINOIS FED. AID PROJECT	
*(US 52)		**(16,17,18)RS-3 & (16BR)M-1	



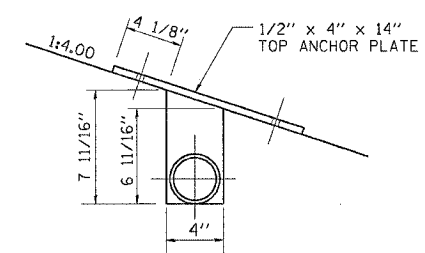
**PLAN VIEW**



**NOTCH DETAIL**



**TOP ANCHOR PLATE**



**DETAIL "A"**

**BILL OF MATERIALS**

(FOR REINFORCEMENT PER EXTENSION)

BAR	NO.	SIZE	LENGTH
a	3	#4	6'-9"
d	8	#4	5'-0"
h	14	#4	23'-8"
u	30	#4	11'-1"
v	30	#4	6'-5"
DESCRIPTION			UNIT
CLASS "SI" CONCRETE			CU YD
REINFORCEMENT BARS			LB
			QTY
			5.9
			612.2

**BILL OF MATERIALS**

DESCRIPTION	UNIT	QTY.
3" GALVANIZED STEEL PIPE	FOOT	2 @ 21'-0"
3" GALV PIPE CAPS	EACH	3 @ 7'-1"
1/4" GALV. STEEL PLATE (9" NOMINAL)	EACH	6
1/2" x 4" x 14" GALV. STEEL PLATE	EACH	6
5/8" x 9" GALV. STEEL BOLTS	EACH	6
EXPANSION BOLTS 1/2"Ø	EACH	12

**GENERAL NOTES:**

SLOPE FLOW LINE OF THE EXTENSION AT THE SAME RATE AS THE FLOW LINE OF THE PIPE.

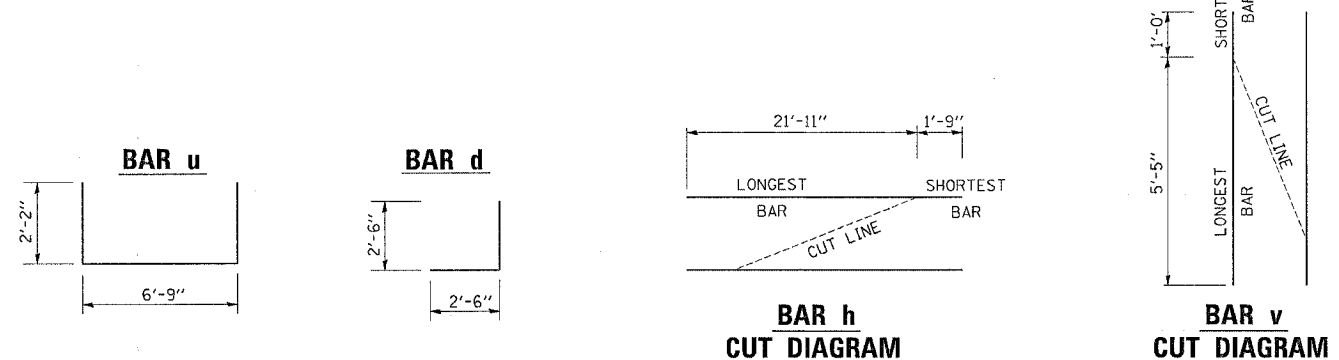
BOLTS, NUTS AND WASHERS SHALL BE IN ACCORDANCE WITH ARTICLE 710.11 OF THE STANDARD SPECIFICATION AND SHALL BE GALVANIZED.

THE CONTRACT UNIT PRICE "EACH" FOR GRADED CULVERT EXTENSION NO. 3 SHALL INCLUDE THE EXPANSION BOLTS, GALVANIZED PIPE & CAPS, CLASS SI CONCRETE, REINFORCEMENT BARS, BOLTS, NUTS, WASHERS, INSTALLATION ON THE PROPOSED CULVERT, EARTH EXCAVATION WHERE REQUIRED, AND ANY NECESSARY GRADING TO FIT INLET AS SHOWN IN THE CROSS SECTIONS OR TO SLOPE.

STEEL PIPES SHALL CONFORM TO A.S.T.M. A-53 (TYPE E OR S) GRADE B, SCHEDULE 40 AND SHALL BE GALVANIZED CONFORMING TO A.S.T.M. A-120. CONTRACTOR SHALL FIELD VERIFY PIPE LENGTH.

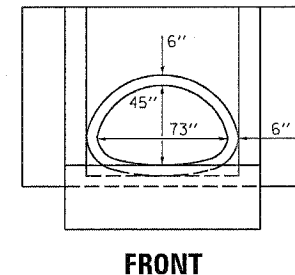
STEEL PLATES SHALL CONFORM TO AASHTO M-183 AND SHALL BE GALVANIZED CONFORMING TO AASHTO M-111.

SEE PLAN AND PROFILE SHEET FOR MORE INFORMATION. SEE CULVERT LOCATION PLANS FOR MORE INFORMATION.

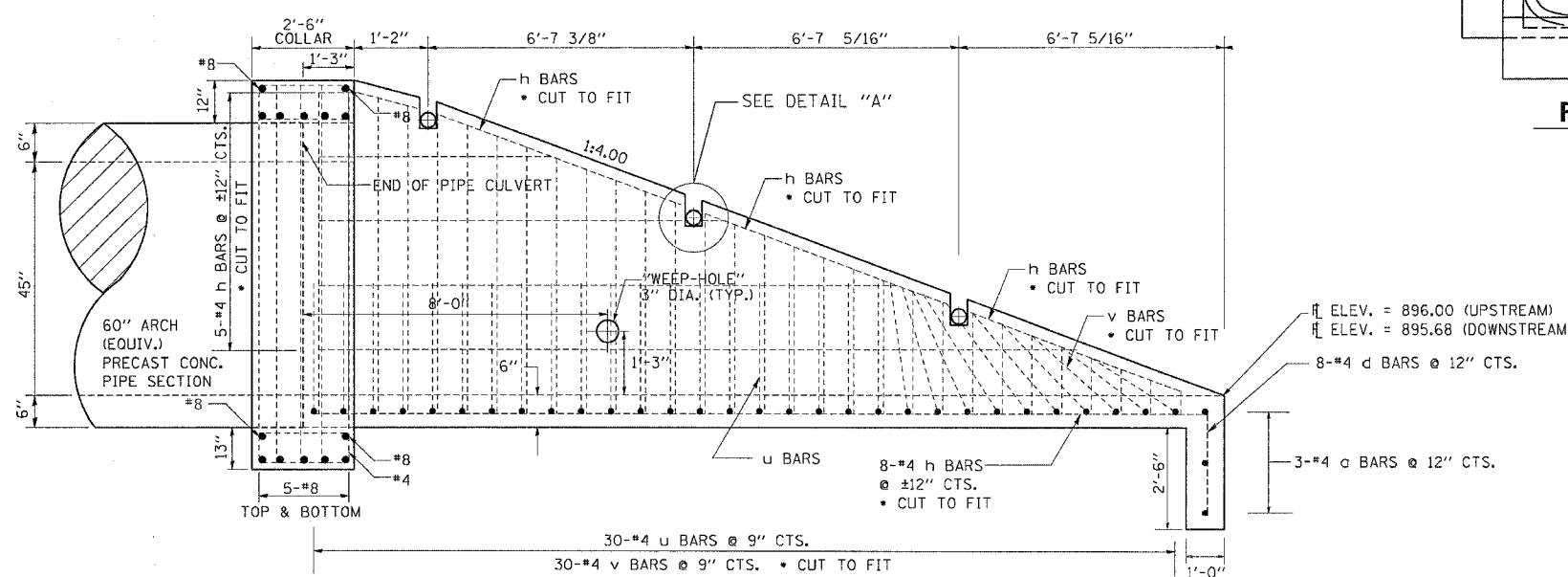


**BAR h CUT DIAGRAM**

**BAR v CUT DIAGRAM**



**FRONT**



**PROFILE VIEW**

PLOT DATE = Wed Mar 07 13:51:26 2007  
 FILE NAME = c:\prowork\sta202665\dr02665pl.dgn  
 USER NAME = gowda