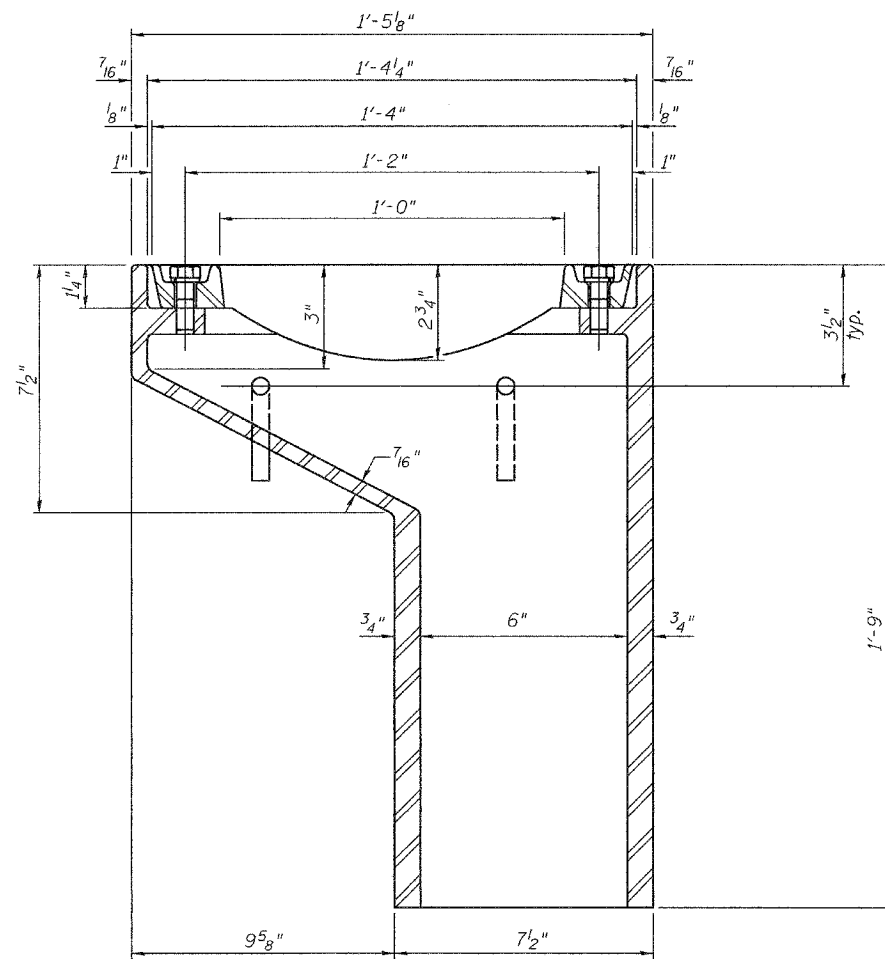
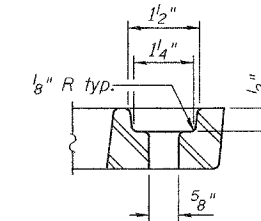
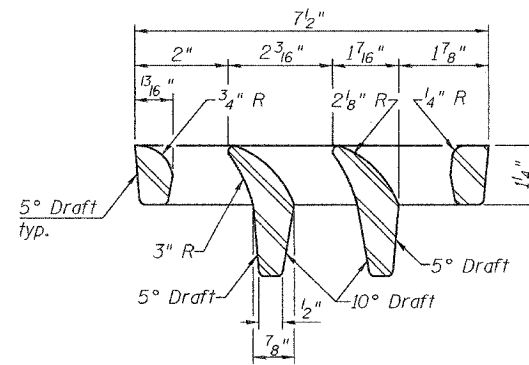
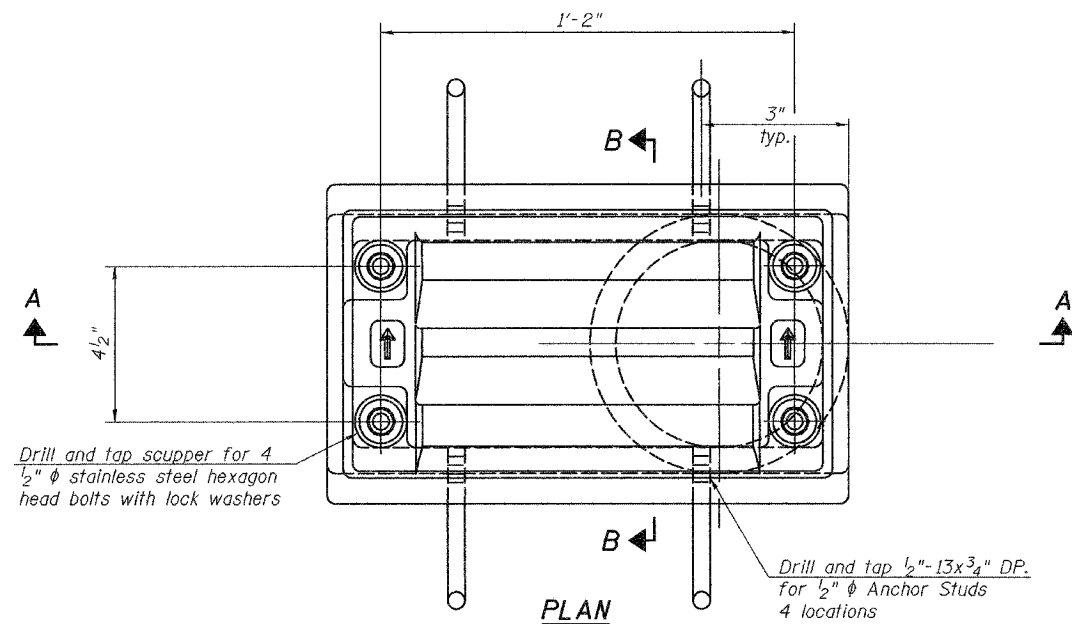


STATE OF ILLINOIS  
DEPARTMENT OF TRANSPORTATION

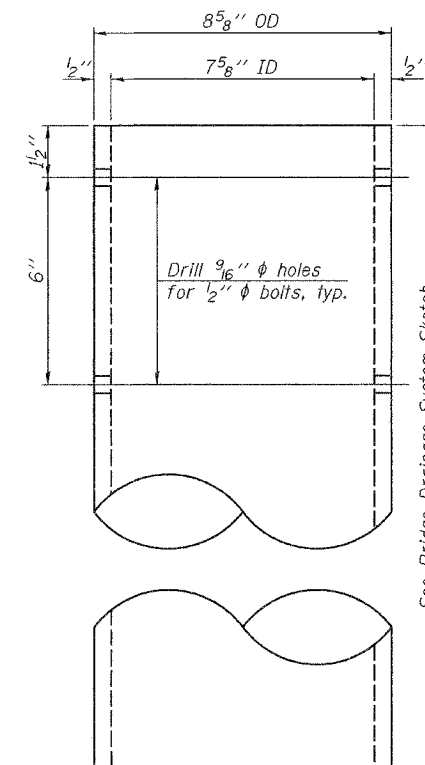
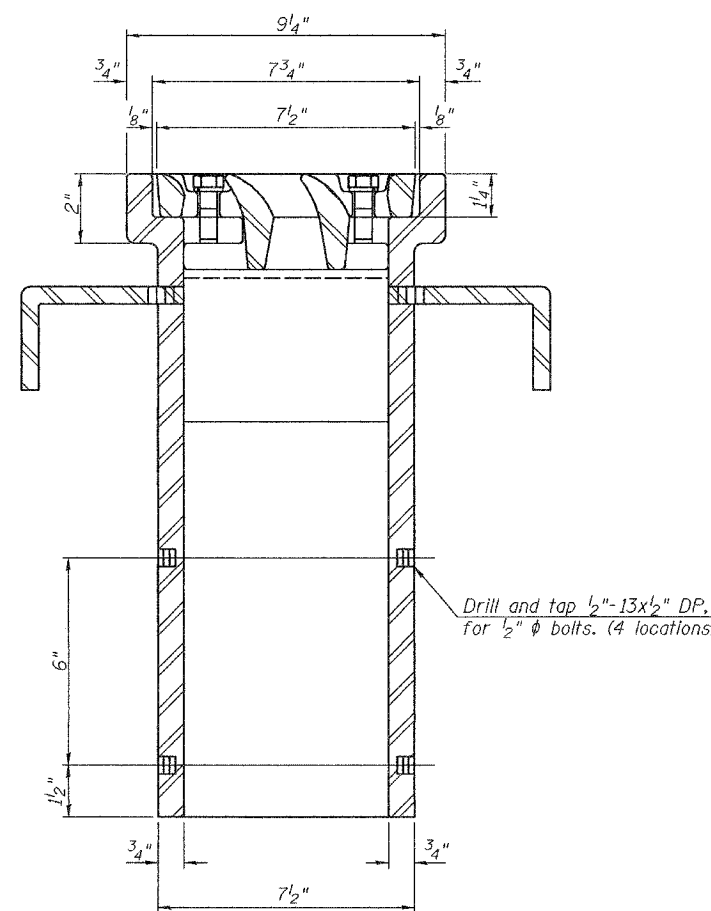
ROUTE NO.	SECTION	COUNTY	TOTAL SHEETS	SHEET NO.
F.A.P. 595	5HBR	Rock Island	139	68
FED. ROAD DIST. NO. 7	ILLINOIS	FED. AID PROJECT-		

SHEET NO. 18  
33 SHEETS

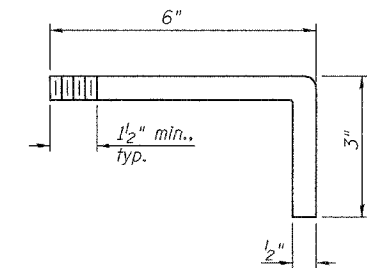
Contract #64931



**SECTION A-A**  
See sheet of for scupper location relative to parapet.



See Bridge Drainage System Sketch Sheet 3 of 33.



**BILL OF MATERIAL**

ITEM	UNIT	QUANTITY
Drainage Scupper, DS-11	Each	2

**DRAINAGE SCUPPER - DS-11**  
IL. RTE. 5 OVER IL. RTE. 84  
F.A.P. RTE. 595 - SECTION 5HBR  
ROCK ISLAND COUNTY  
STATION 623+65.69  
S.N. 081-0169

DESIGNED	Dewey H. Coultas
CHECKED	Chad E. Hodel
DRAWN	W.D. Collins
CHECKED	D.H.C./C.E.H.

October 5, 2007  
EXAMINED *Thomas J. Ramgobari*  
ENGINEER OF BRIDGES AND STRUCTURES  
PASSED *Ralph E. Anderson*  
ENGINEER OF BRIDGES AND STRUCTURES

DS-11 9-3-07