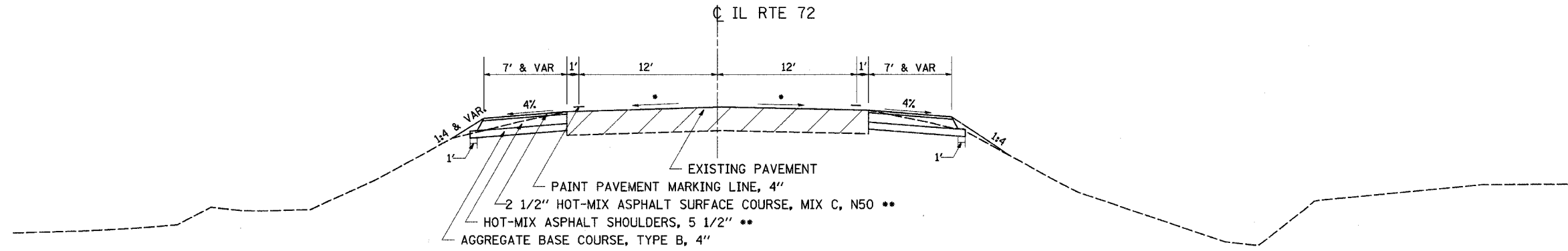


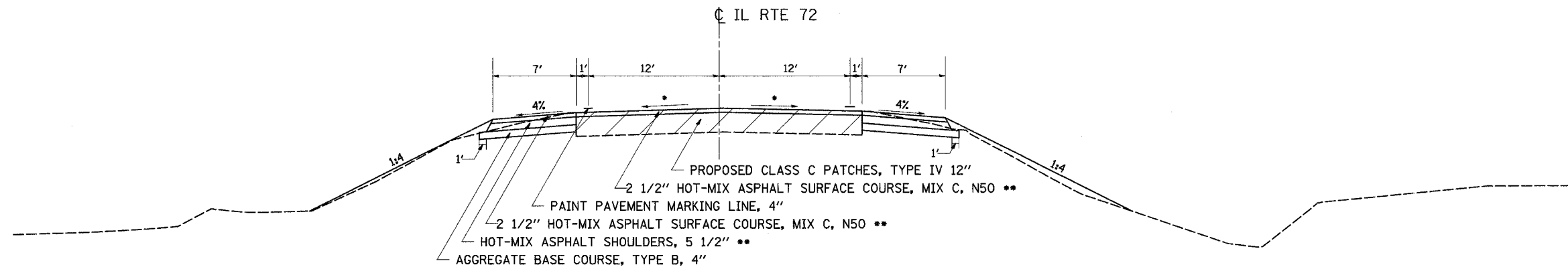
F.A. & RTE.	SECTION	COUNTY	TOTAL SHEETS	SHEET NO.
-553	1201-2	OGLE	59	6
STA. _____		TO STA. _____		
FED. ROAD DIST. NO. _____		ILLINOIS FED. AID PROJECT		

TYPICAL SECTIONS

STA 2106+80 TO STA 2109+33
 STA 2109+97 TO STA 2112+20
 STA 2128+80 TO STA 2131+10
 STA 2132+10 TO STA 2134+20



STA 2109+33 TO STA 2110+09
 STA 2131+10 TO STA 2132+18



- ** 112 LBS/SQ YD/IN
- * MATCH EXISTING CROSS SLOPES WITH A MINIMUM OF 1/8" PER FOOT

REVISIONS	
NAME	DATE

ILLINOIS DEPARTMENT OF TRANSPORTATION

SCALE: VERT. _____
 HORIZ. _____

DATE _____

DRAWN BY _____
 CHECKED BY _____

PLOT DATE = Tue, Jul 31 09:52:15 2007
 FILE NAME = C:\p06010601\1201-2\1201-2.dgn
 PLOT SCALE = 50.00000 / IN.
 USER NAME = dswadd