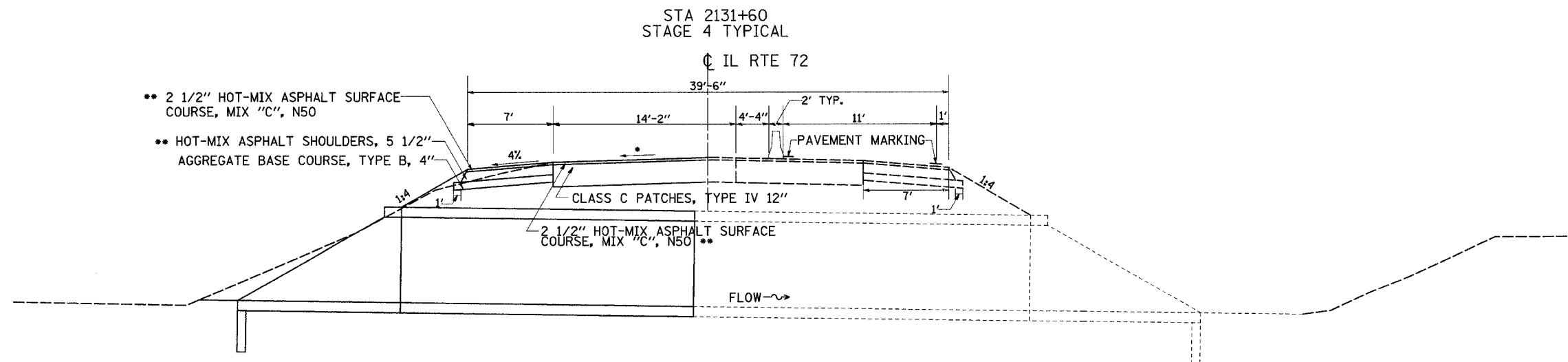
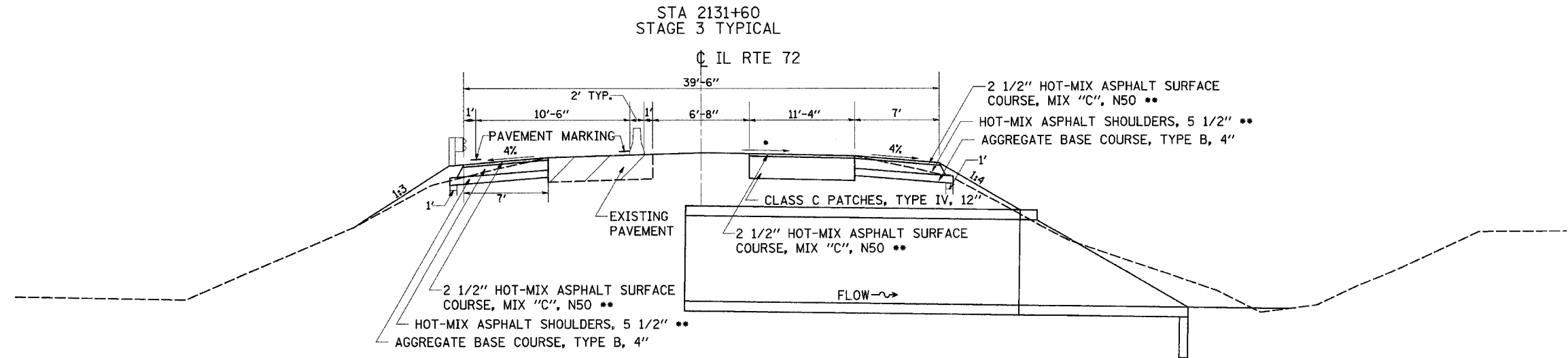


F.A.P. RTE.	SECTION	COUNTY	TOTAL SHEETS	SHEET NO.
553	120T-2	OGLE	59	8

STA.	TO STA.
FED. ROAD DIST. NO.	ILLINOIS FED. AID PROJECT

STAGING TYPICALS



- ** 112 LBS/SQ YD/IN
- * MATCH EXISTING

REVISIONS	
NAME	DATE

ILLINOIS DEPARTMENT OF TRANSPORTATION

SCALE: VERT.
DATE: HORIZ.

DRAWN BY
CHECKED BY

PLOT DATE = Tue Jul 31 09:17:48 2007
FILE NAME = C:\p0210805\0166855.dgn
PLOT SCALE = 5/8"=1'-0"
USER NAME = dssadd