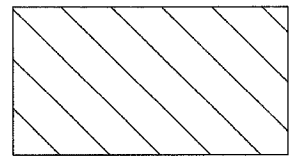
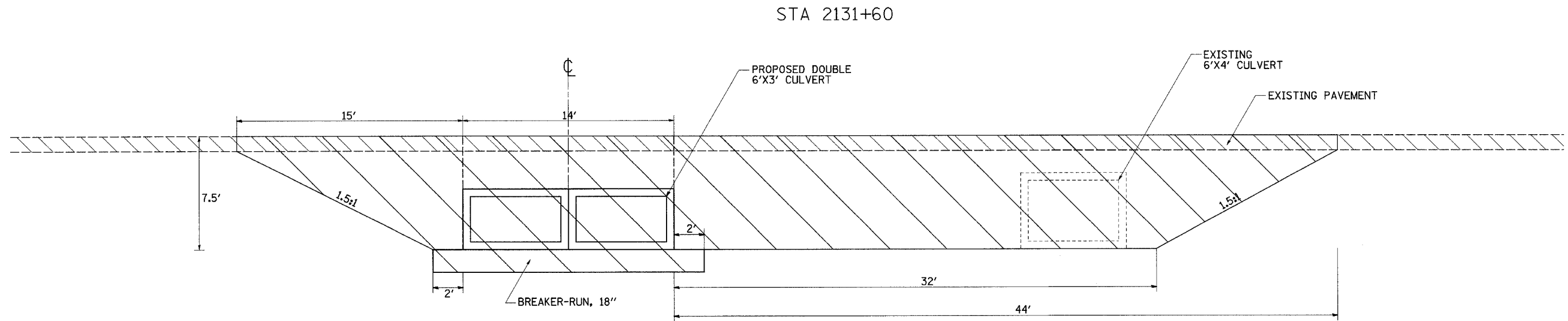
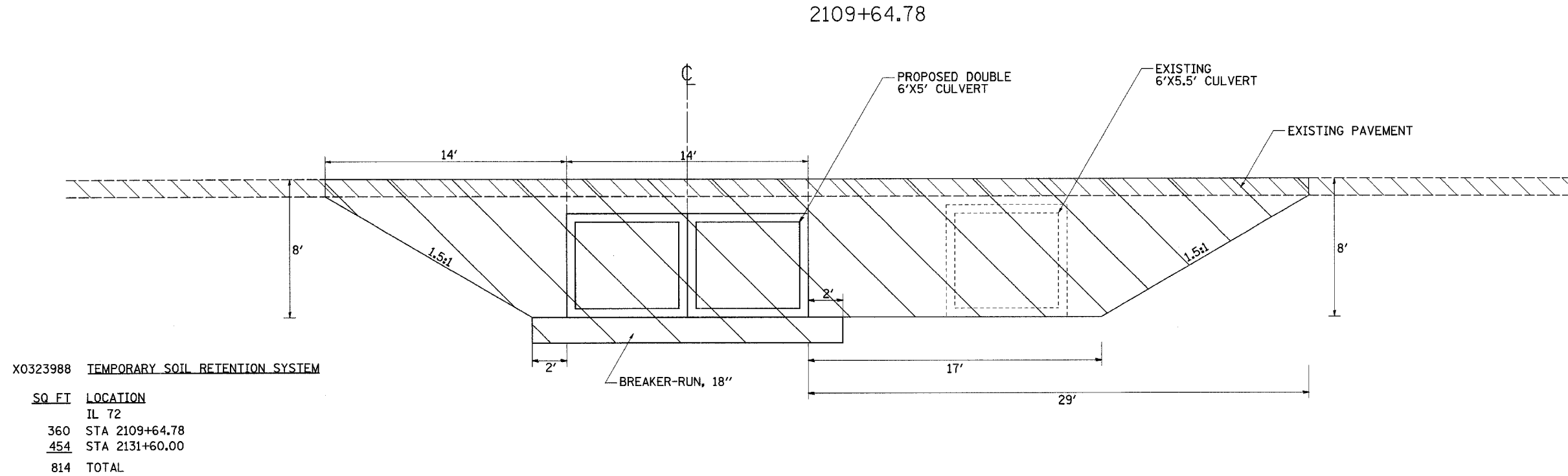


# TEMPORARY SOIL RETENTION SYSTEM DETAIL

CONTRACT NO. 64B43			
F.A.R. RTE.	SECTION	COUNTY	TOTAL SHEET NO.
553	1201-2	OGLE	59 27
STA.	TO STA.		
FED. ROAD DIST. NO.	ILLINOIS FED. AID PROJECT		



TEMPORARY SOIL RETENTION SYSTEM AREA

REVISIONS	
NAME	DATE

ILLINOIS DEPARTMENT OF TRANSPORTATION

SCALE: VERT. \_\_\_\_\_  
HORIZ. \_\_\_\_\_

DATE \_\_\_\_\_ DRAWN BY \_\_\_\_\_  
CHECKED BY \_\_\_\_\_

PLOT DATE = Wed Jul 25 09:26:44 2007  
 PLOT SCALE = 60.0000 / IN  
 USER NAME = dmsadd

## TEMPORARY SOIL RETENTION SYSTEM DETAIL