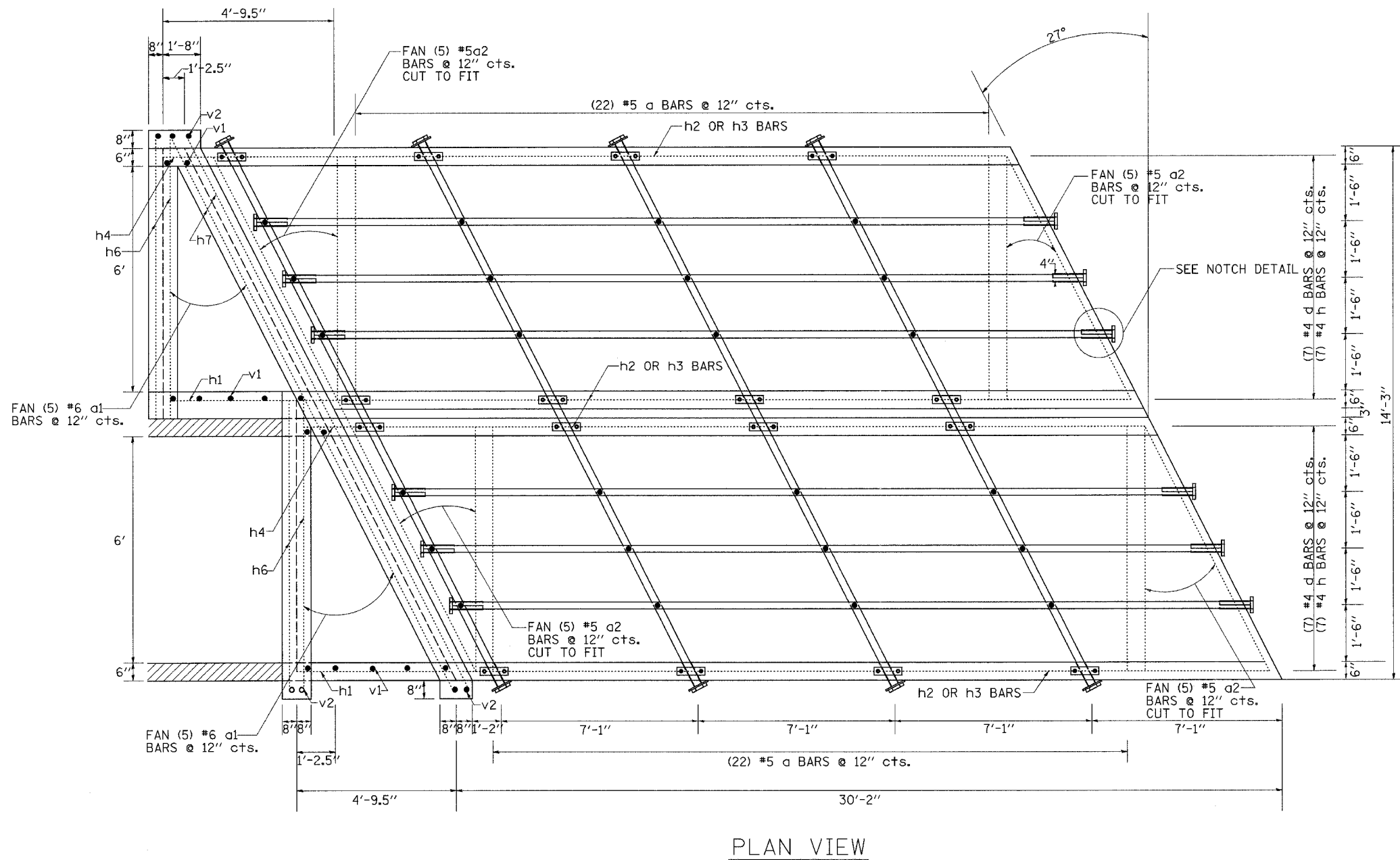


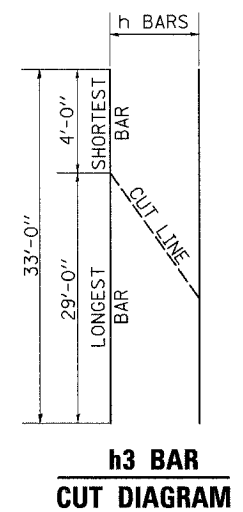
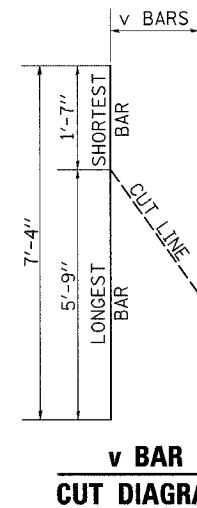
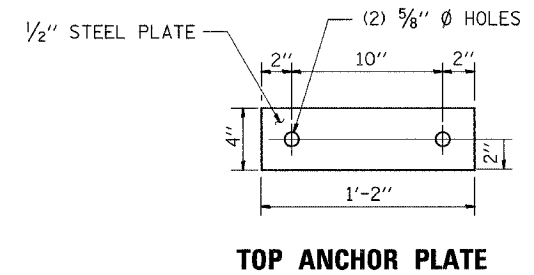
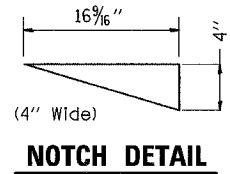
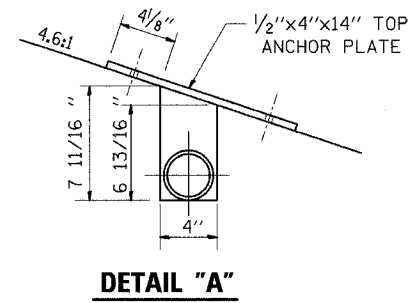
F.A.P. RTE.	SECTION	COUNTY	TOTAL SHEETS	SHEET NO.
553	120T-2	OGLE	59	30
STA.		TO STA.		
FED. ROAD DIST. NO.		ILLINOIS FED. AID PROJECT		

GRATED CULVERT EXTENSION, NO. 1

STA 2109+51 RT & 2109+79 LT



PLAN VIEW



PLOT DATE = Wed Jul 25 09:59:27 2007
 PLOT SCALE = 1/8" = 1'-0"
 USER NAME = drossid