

F.A.P. RTE.	SECTION	COUNTY	TOTAL SHEETS	SHEET NO.
553	1201-2	OGLE	59	31
STA.	TO STA.			
FED. ROAD DIST. NO.	ILLINOIS	FED. AID PROJECT		

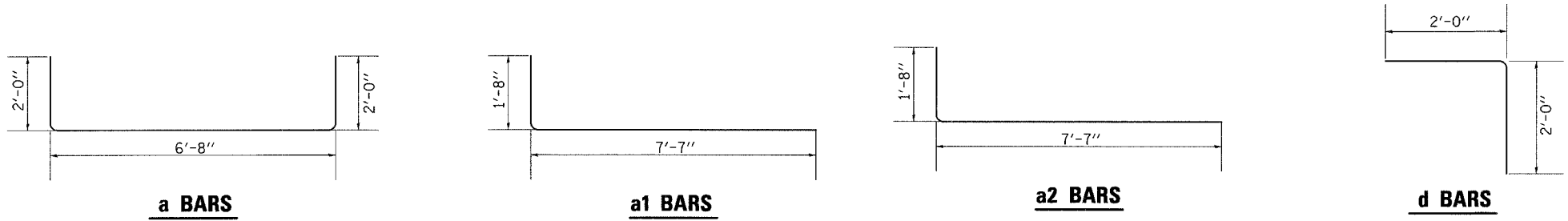
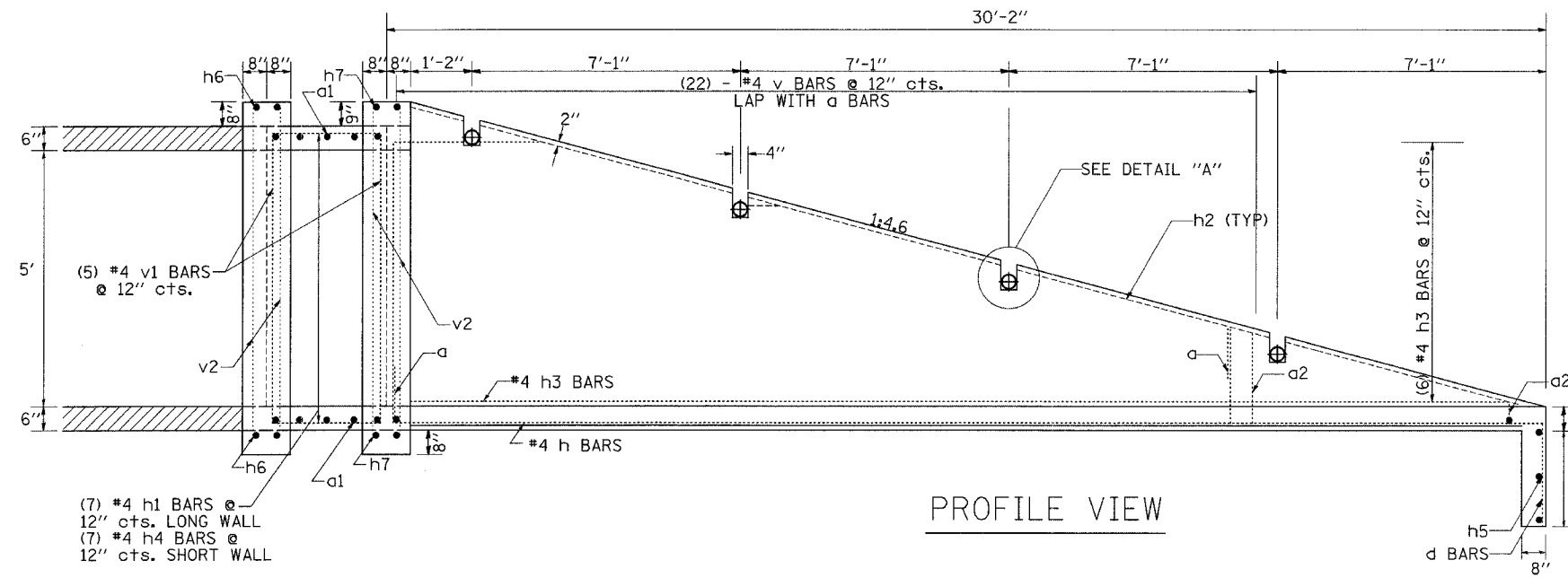
GRATED CULVERT EXTENSION, NO. 1

STA 2109+51 RT & 2109+79 LT

BILL OF MATERIALS (ONE SECTION)

BAR	NUMBER	SIZE	LENGTH	SHAPE
a	44	#5	10'-8"	┌───┐
a1	20	#6	9'-3"	┌───┐
a2	20	#5	9'-3"	┌───┐
d	14	#4	4'-0"	└──┘
h	14	#4	29'-10"	───
h1	14	#4	4'-7"	───
h2	16	#4	7'-0"	───
h3	12	#4	33'-0"	───
h4	14	#4	1'-0"	───
h5	6	#4	7'-7"	───
h6	4	#6	7'-8"	───
h7	2	#6	17'-3"	───
v	44	#4	7'-4"	───
v1	14	#4	5'-8"	───
v2	11	#4	7'-0"	───

DESCRIPTION	UNIT	QTY.
Class SI Concrete	CuYd	24.1
Reinforcement Bars	LBS	2116.6
3" I.D. Galv Steel Pipe	4ø	16'-5"
	6ø	29'-10"
3" Galv Pipe Caps	EACH	20
1/4" Galv Steel Plate (9" Nominal)	EACH	8
1/2"x4"x14" Galv Steel Plate	EACH	16
5/8"x9" Galv Steel Bolts	EACH	24
Expansion Bolts 1/2"	EACH	32



GENERAL NOTES:

- Slope flow line of the extension at the same rate as the flow line of the box.
- Bolts, Nuts, and Washers shall be in accordance with Article 710.11 of the standard specification and shall be galvanized.
- The contract unit price "Each" for Grated Culvert Extension No. 1 shall be of precast construction. It shall also include the Class SI Concrete for the Collar, Galvanized Pipe, Bolts, Nuts, Washers, Steel Plates.
- Steel pipes shall conform to A.S.T.M. A-53 (Type E or S) Grade B, Schedule 40, and shall be galvanized conforming to A.S.T.M. A-120. Contractor shall field verify pipe length.
- Steel Plates shall conform to AASHTO M-183 and shall be galvanized conforming to AASHTO M-111.
- SEE PLAN AND PROFILE SHEET FOR MORE INFORMATION
SEE CULVERT LOCATION PLANS FOR MORE INFORMATION
- U-BOLTS WILL NOT BE USED IN PLACE OF THE GALVANIZED STEEL BOLTS.
- GALVANIZED STEEL PLATE AND GALVANIZED PIPE CAPS ARE REQUIRED.

PLOT DATE = Wed Jul 25 09:31:18 2007
 FILE NAME = c:\projects\p210825\dlr666culv.dgn
 PLOT SCALE = 50.0000 / 1"
 USER NAME = dmsidd