

F.A.P. RTE.	SECTION	COUNTY	TOTAL SHEETS	SHEET NO.
553	120T-2	OGLE	59	33
STA.		TO STA.		
FED. ROAD DIST. NO. ILLINOIS FED. AID PROJECT				

# GRATED CULVERT EXTENSION, NO. 2

## STA 2131 + 94 LT

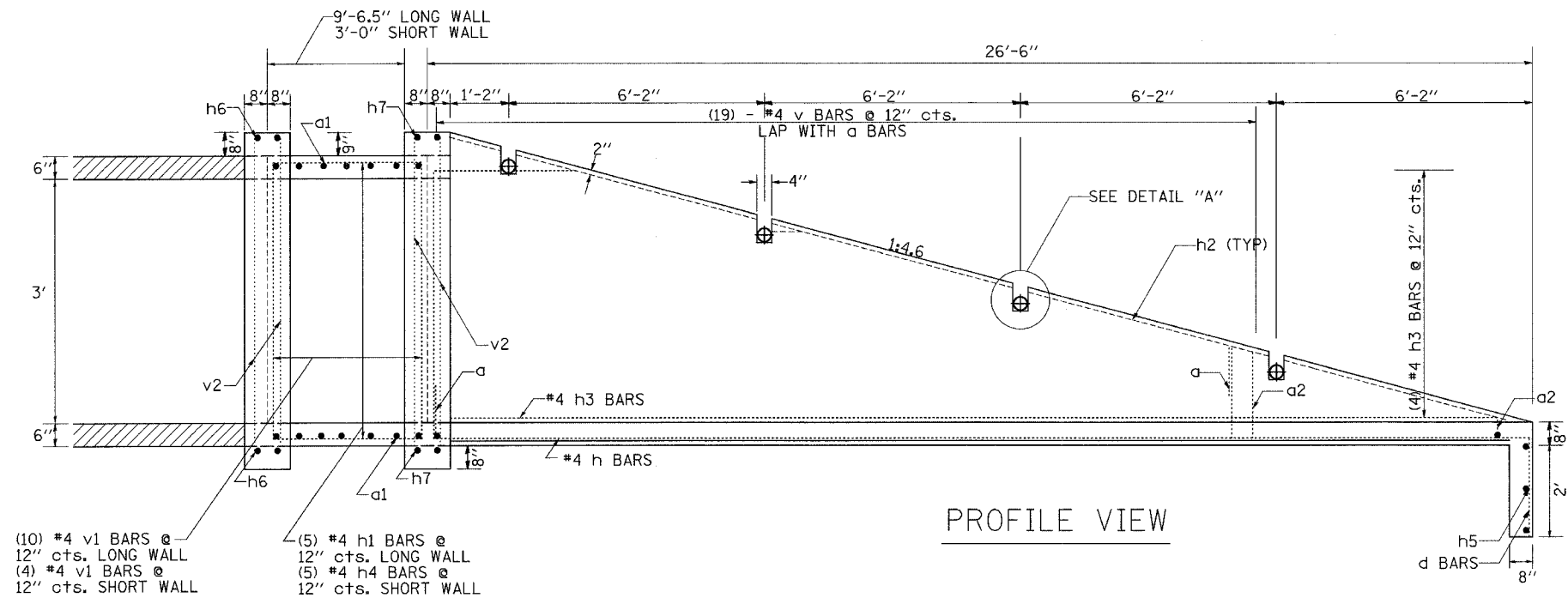
### BILL OF MATERIALS (ONE SECTION)

BAR	NUMBER	SIZE	LENGTH	SHAPE
a	38	#5	10'-8"	┌───┐
a1	40	#6	9'-3"	┌───┐
a2	28	#5	8'-11"	┌───┐
d	14	#4	4'-0"	└─┘
h	14	#4	26'-2"	───
h1	10	#4	8'-8"	───
h2	16	#4	5'-6"	───
h3	8	#4	29'-2"	───
h4	10	#4	2'-8"	───
h5	6	#4	9'-7"	───
h6	8	#6	8'-0"	───
h7	4	#6	19'-10"	───
v	38	#4	4'-3"	───
v1	28	#4	3'-8"	───
v2	12	#4	5'-0"	───

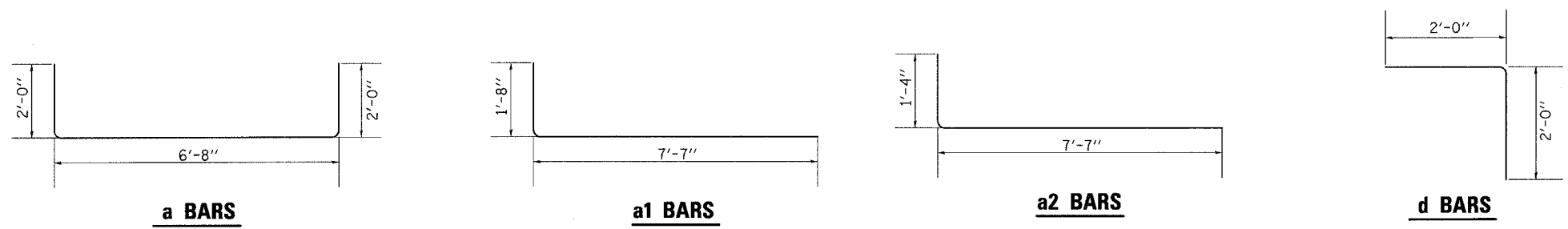
DESCRIPTION	UNIT	QTY.
Class SI Concrete	CuYd	21.9
Reinforcement Bars	LBS	2281.7
3" I.D. Galv Steel Pipe	4ø	16'-5"
	6ø	25'-10"
3" Galv Pipe Caps	EACH	20
1/4" Galv Steel Plate (9" Nominal)	EACH	8
1/2"x4"x14" Galv Steel Plate	EACH	16
5/8"x9" Galv Steel Bolts	EACH	24
Expansion Bolts 1/2"	EACH	32

### GENERAL NOTES:

- Slope flow line of the extension at the same rate as the flow line of the box.
- Bolts, Nuts, and Washers shall be in accordance with Article 710.11 of the standard specification and shall be galvanized.
- The contract unit price "Each" for Grated Culvert Extension No. 2 shall be of precast construction. It shall also include the Class SI Concrete for the Collar, Galvanized Pipe, Bolts, Nuts, Washers, Steel Plates.
- Steel pipes shall conform to A.S.T.M. A-53 (Type E or S) Grade B, Schedule 40, and shall be galvanized conforming to A.S.T.M. A-120. Contractor shall field verify pipe length.
- Steel Plates shall conform to AASHTO M-183 and shall be galvanized conforming to AASHTO M-111.
- SEE PLAN AND PROFILE SHEET FOR MORE INFORMATION  
SEE CULVERT LOCATION PLANS FOR MORE INFORMATION
- U-BOLTS WILL NOT BE USED IN PLACE OF THE GALVANIZED STEEL BOLTS.
- GALVANIZED STEEL PLATE AND GALVANIZED PIPE CAPS ARE REQUIRED.



- (10) #4 v1 BARS @ 12" cts. LONG WALL
- (4) #4 v1 BARS @ 12" cts. SHORT WALL
- (5) #4 h1 BARS @ 12" cts. LONG WALL
- (5) #4 h4 BARS @ 12" cts. SHORT WALL



PLOT DATE = Wed Jul 25 09:31:47 2007  
 PLOT SCALE = 1/8" = 1'-0"  
 USER NAME = dssadd